

Inhoudsopgave

Achteras Aandrijving	96
Achteras Huis	70
Bumper & Motorkap Sluiting 70 CV	28
Bumper & Motorkap Sluiting 80 CV, 90 CV	32
Cabine Frame	189
Dashbord	52
Diepte Regeling	153
Differentieel Slot	100
Driepunt Standaard	167
Driepunt Verstelbaar en snelspanners	171
Elektrisch Achter	121
Elektrisch om Motor 70 CV	117
Elektrisch om Motor 80 CV, 90 CV	119
Front Gewichten & Beugel	179
Gaskabels 70 CV	14
Gaskabels 80 CV, 90 CV	16
Hef Deksel & Cilinders	139
Hydrauliek Aanzuig Syst. 70 CV	123
Hydrauliek Aanzuig Syst. 80 CV, 90 CV	125
Hydrauliek Achter	141
Hydrauliek Stuur	131
Hydrauliek Ventielen	137
Index	219
Koppeling Pedalen	78
Koppeling & Koppelings Plaat	76
Luchtfilter	22
Mechanisch Slot	94
Middenstuk Platen & Voet Steunen	42
Middenstuk & Centrale As	68
Motor 70 CV	6
Motor 80 CV	8
Motor 90 CV	10
Motorkap	34
Oliekoeler 70 CV	127
Oliekoeler 80 CV, 90 CV	129
PTO Schakeling	108
PTO & Differentieel Hydrauliek	135
PTO & Tandwielen en Koppeling	102
Radiator 70 CV	18
Radiator 80 CV, 90 CV	20
Rem Pedalen	112
Remmen	110
Schakelpook Rubbers & Zitting Plaat	56
Schakelpoken & Gaffels	90

Spatschermen Achter	44
Spatschermen Voor & Rolbeugel	38
Stickers	48
Tandwielen	82
Tank	26
Trekhaak	175
Vooras Aandrijving	72
Vooras Huis	64
Wiel Eindvertraging	98
Wielen	183
Zittingen	60

Code	Description	Notes
A0101_1_14653	ENGINE	Power: 70 CV
A0102_1_14720	ENGINE	Power: 80 CV
A0103_1_14789	ENGINE	Power: 90 CV
A0202_0_14843	ENGINE CONTROLS	Power: 70 CV
A0204_0_14897	ENGINE CONTROLS	Power: 80 CV, 90 CV
A0301_0_14926	COOLER	Power: 70 CV
A0302_0_14955	COOLER	Power: 80 CV, 90 CV
A0401_0_14980	AIR FILTER	Power: 70 CV, 80 CV, 90 CV
A0402_0_15005	AIR FILTER WITH EXTERNAL AIR INTAKE	Power: 70 CV, 80 CV, 90 CV
A0501_0_15024	FUEL TANK	Power: 70 CV, 80 CV, 90 CV
B0101_0_15056	FRONT SUPPORT	Power: 70 CV
B0102_0_15096	FRONT SUPPORT	Power: 80 CV, 90 CV
B0201_0_15127	BONNET	Power: 70 CV, 80 CV, 90 CV
B0301_0_15169	FRONT MUDGUARDS	Power: 70 CV, 80 CV, 90 CV
B0402_0_15303	BOARDS	Power: 70 CV, 80 CV, 90 CV
B0501_0_15441	REAR MUDGUARDS	Power: 70 CV, 80 CV, 90 CV
B0701_0_15610	PLATES AND STICKERS	Power: 70 CV, 80 CV, 90 CV
B0801_2_69139	DASHBOARD	Power: 70 CV, 80 CV, 90 CV
B1001_0_15773	SEAT SUPPORT / GEAR LEVERS COVER	Power: 70 CV, 80 CV, 90 CV
B1201_0_15868	SEAT (STANDARD)	Power: 70 CV, 80 CV, 90 CV
B1202_0_15889	SEAT (KAB)	Power: 70 CV, 80 CV, 90 CV
C0101_0_15905	FRONT AXLE	Power: 70 CV, 80 CV, 90 CV
C0201_0_15984	CENTRAL SECTION	Power: 70 CV, 80 CV, 90 CV
C0301_0_16044	REAR AXLE	Power: 70 CV, 80 CV, 90 CV
D0101_0_16072	FRONT TRANSMISSION	Power: 70 CV, 80 CV, 90 CV
D0201_1_16174	CLUTCH FRONT SHAFT/ TRANSMISSION CLUTCH	Power: 70 CV, 80 CV, 90 CV
D0301_0_16283	CLUTCH CONTROLS	Power: 70 CV, 80 CV, 90 CV
D0401_0_16337	INPUT SHAFT/RANGES MAIN SHAFT/GEARS	Power: 70 CV, 80 CV, 90 CV
D0501_0_16362	GEARS MAIN SHAFT/GEARS	Power: 70 CV, 80 CV, 90 CV
D0601_0_16375	GEARS TRANSMISSION SHAFT/GEARS	Power: 70 CV, 80 CV, 90 CV
D0701_0_16411	GEARBOX CONTROLS	Power: 70 CV, 80 CV, 90 CV
D0801_0_16453	MECHANICAL LOCK	Power: 70 CV, 80 CV, 90 CV
D0901_0_16469	REAR TRANSMISSION	Power: 70 CV, 80 CV, 90 CV
D1001_0_16509	EPYCICLIC REDUCTION GEARS	Power: 70 CV, 80 CV, 90 CV

Thor 70-80-90 RS reversible

Code	Description	Notes
D1101_0_16526	DIFFERENTIAL LOCK	Power: 70 CV, 80 CV, 90 CV
D1201_0_16542	POWER TAKE-OFF	Power: 70 CV, 80 CV, 90 CV
D1301_0_16613	POWER TAKE-OFF CONTROLS	Power: 70 CV, 80 CV, 90 CV
D1401_0_16634	BRAKES	Power: 70 CV, 80 CV, 90 CV
D1502_0_16688	BRAKES CONTROLS	Power: 70 CV, 80 CV, 90 CV
E0101_0_16789	FRONT ELECTRICAL SYSTEM	Power: 70 CV, 80 CV, 90 CV
E0201_0_16797	ENGINE ELECTRIC SYSTEM	Power: 70 CV
E0202_0_16806	ENGINE ELECTRIC SYSTEM	Power: 80 CV, 90 CV
E0302_0_16844	REAR ELECTRICAL SYSTEM	Power: 70 CV, 80 CV, 90 CV
F0101_0_16889	HYDR. SYSTEM DOUBLE OIL SUCTION	Power: 70 CV
F0102_0_16922	HYDR. SYSTEM DOUBLE OIL SUCTION	Power: 80 CV, 90 CV
F0201_0_17025	HYDR. SYSTEM : HEAT EXCHANGER	Power: 70 CV
F0202_0_17043	HYDR. SYSTEM : HEAT EXCHANGER	Power: 80 CV, 90 CV
F0302_0_17097	STEERING HYDR. SYSTEM	Power: 70 CV, 80 CV, 90 CV
F0401_0_17228	PTO /DIFFERENTIAL LOCK HYDR. SYSTEM	Power: 70 CV, 80 CV, 90 CV
I0101_0_17291	HYDR. CONTROL VALVES: AVAILABLE PARTS	Power: 70 CV, 80 CV, 90 CV
L0101_0_17311	RAISE/LOWER LIFT	Power: 70 CV, 80 CV, 90 CV
L0201_1_17393	FREE DISCHARGE CONTROL VALVES VERSION	Power: 70 CV, 80 CV, 90 CV
L0202_1_17488	CONTROL VALVES WITHOUT FREE DISCHARGE VERSION	Power: 70 CV, 80 CV, 90 CV
L0203_0_17535	HYDR. SUSPENSION VERSION	Power: 70 CV, 80 CV, 90 CV
M0101_0_17861	POSITION AND DRAFT CONTROL LIFT	Power: 70 CV, 80 CV, 90 CV
M0201_0_17929	FREE DISCHARGE CONTROL VALVES VERSION	Power: 70 CV, 80 CV, 90 CV
M0202_0_17999	CONTROL VALVES WITHOUT FREE DISCHARGE VERSION	Power: 70 CV, 80 CV, 90 CV
T0101_0_18136	IMPLEMENTS ATTACHMENT - STANDARD	Power: 70 CV, 80 CV, 90 CV
T0102_0_18177	IMPLEMENTS ATTACHMENT - ADJUSTABLE ARMS WITH QUICK HITCHES	Power: 70 CV, 80 CV, 90 CV
T0301_0_18310	PULL HOOK - STANDARD	Power: 70 CV, 80 CV, 90 CV
T0302_0_18319	POOL HOOK "EEC" APPROVED	Power: 70 CV, 80 CV, 90 CV
T0401_0_18328	FRONT BALLASTS	Power: 70 CV
T0402_0_18344	FRONT BALLASTS	Power: 80 CV, 90 CV
W0101_0_18360	WHEELS AND TYRES (TABLE 1/2)	Power: 70 CV, 80 CV, 90 CV
W0102_0_18387	WHEELS AND TYRES (TABLE 2/2)	Power: 70 CV, 80 CV, 90 CV
W0302_0_18466	WHEELS AND TYRES (TABLE 2/2)	
Y.01.01_0_44578	FRAME "LOCHMANN"	
Y.01.02_0_44665	FRONT GLASS "LOCHMANN"	

Code	Description	Notes
Y.01.03_0_44752	REAR GLASS "LOCHMANN"	
Y.01.04_0_45162	SIDE GLASS "LOCHMANN"	
Y.01.05_0_44835	LEFT/RIGHT DOOR "LOCHMANN"	
Y.01.06_0_44938	UNDER-ROOF - HEATING "LOCHMANN"	
Y.01.07_0_45032	TOP "LOCHMANN"	
Y.01.08_0_45202	CAB SUPPORTS - COVERING	
Y.01.09_0_45102	AIR CONDITIONING "LOCHMANN"	

FERRARI*Thor*MOTORE
ENGINE
MOTEUR
MOTOR

Validità

70
RS-M RS-R MT AR-M AR-R
900632 →

Tavola

A.01.01

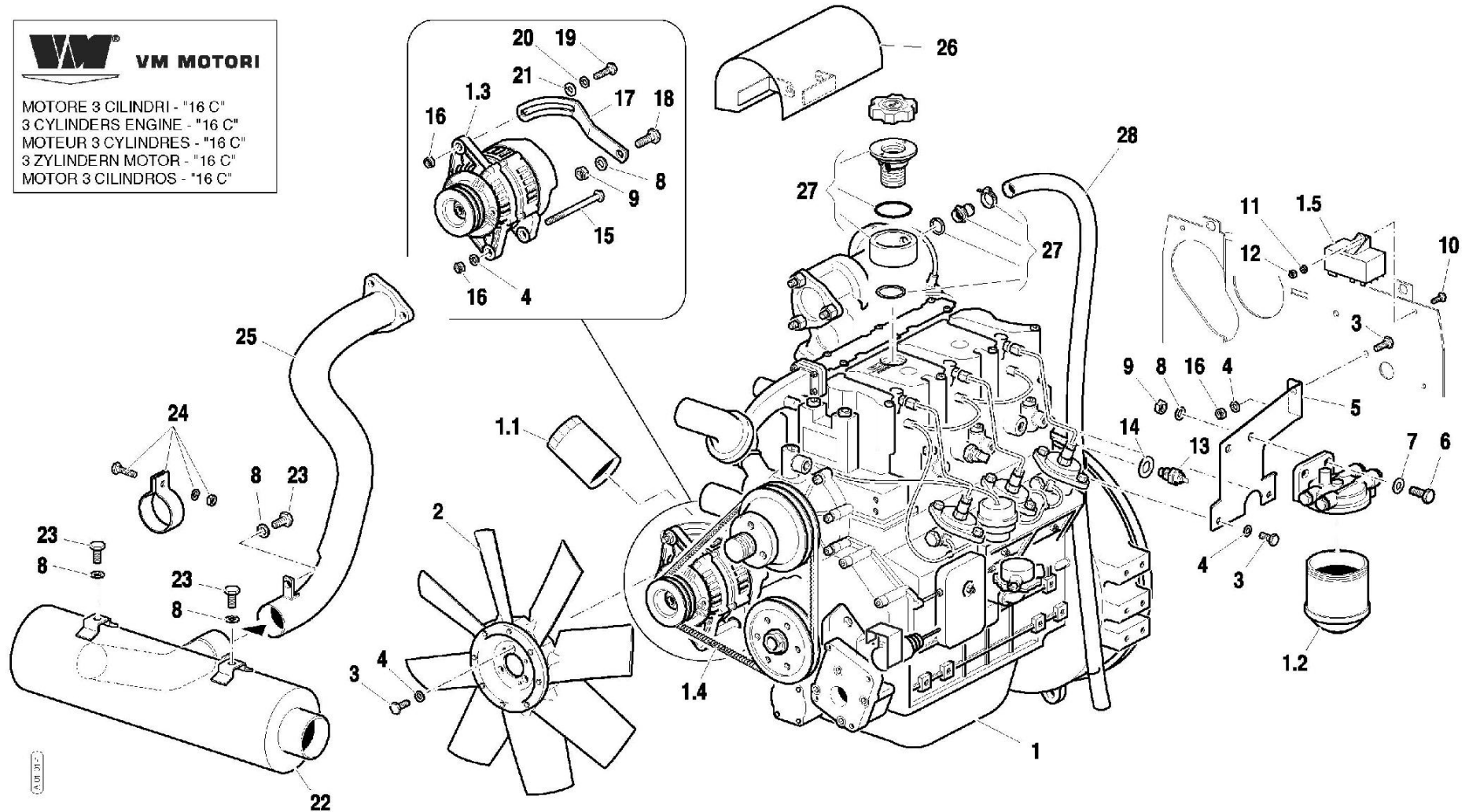
Rev.

1

Data

05/2003

1/1

**VM MOTORI**MOTORE 3 CILINDRI - "16 C"
3 CYLINDERS ENGINE - "16 C"
MOTEUR 3 CYLINDRES - "16 C"
3 ZYLINDER MOTOR - "16 C"
MOTOR 3 CILINDROS - "16 C"

Pos.	Code	Q.ty	Description	Notes
1	41T00001	0	MOTORE VM D703TE1.20A+SFIATO *	
1.1	58171199	0	OIL FILTER CARTRIDGE	
1.2	58171200	0	FUEL FILTER CARTRIDGE	
1.3	59900344	0	ALTERNATOR	
1.4	59900337	0	BELT	
1.5	59900345	0	CENTRAL PROCESSING UNIT	
2	58174959	0	FAN	
3	31112150	0	SCREW TE M8X20 UNI 5739 8G	
4	F0843643060	0	WASHER 8	
5	56175189	0	RETAINER	
6	31112219	0	SCREW TE M10X25 UNI 5739	
7	31411105	0	WASHER 10,5x21	
8	F0843755000	0	WASHER 10	
9	F0814632000	0	NUT M10	
10	31112090	0	SCREW TE M6X16 UNI 5739 8G	
11	F0843570000	0	WASHER 6	
12	31212060	0	NUT M6	
13	58170233	0	DIGITAL INSTRUMENT	
14	F0844030070	0	COPPER WASHER 16,0x22/1,5	
15	31112174	0	SCREW TE M8X110 UNI 5737 8.8	
16	F0814574000	0	NUT M8	
17	56174728	0	TENSION ROLLER	
18	31112211	0	SCREW TE M10X30 UNI 5739	
19	31112152	0	SCREW TE M8X30 UNI 5739 8G	
20	31421083	0	WASHER	
21	31411090	0	WASHER 9x24	
22	58174997	0	EXHAUST SILENCER	
23	31112210	0	SCREW TE M10X20 UNI 5739	
24	58175121	0	COLLAR	
25	59075722	0	EXHAUST	
26	59074627	0	GUARD	
27	59900357	0	DIGITAL INSTRUMENT	
28	58075607	0	OIL PIPE	

SERIAL
START
900632

ENGINE
Power: 70 CV

CODE REV
A0101_1_14653

FERRARI*Thor*MOTORE
ENGINE
MOTEUR
MOTOR

Validità

80

RS-M RS-R MT AR-M AR-R

900560 →

Tavola

A.01.02

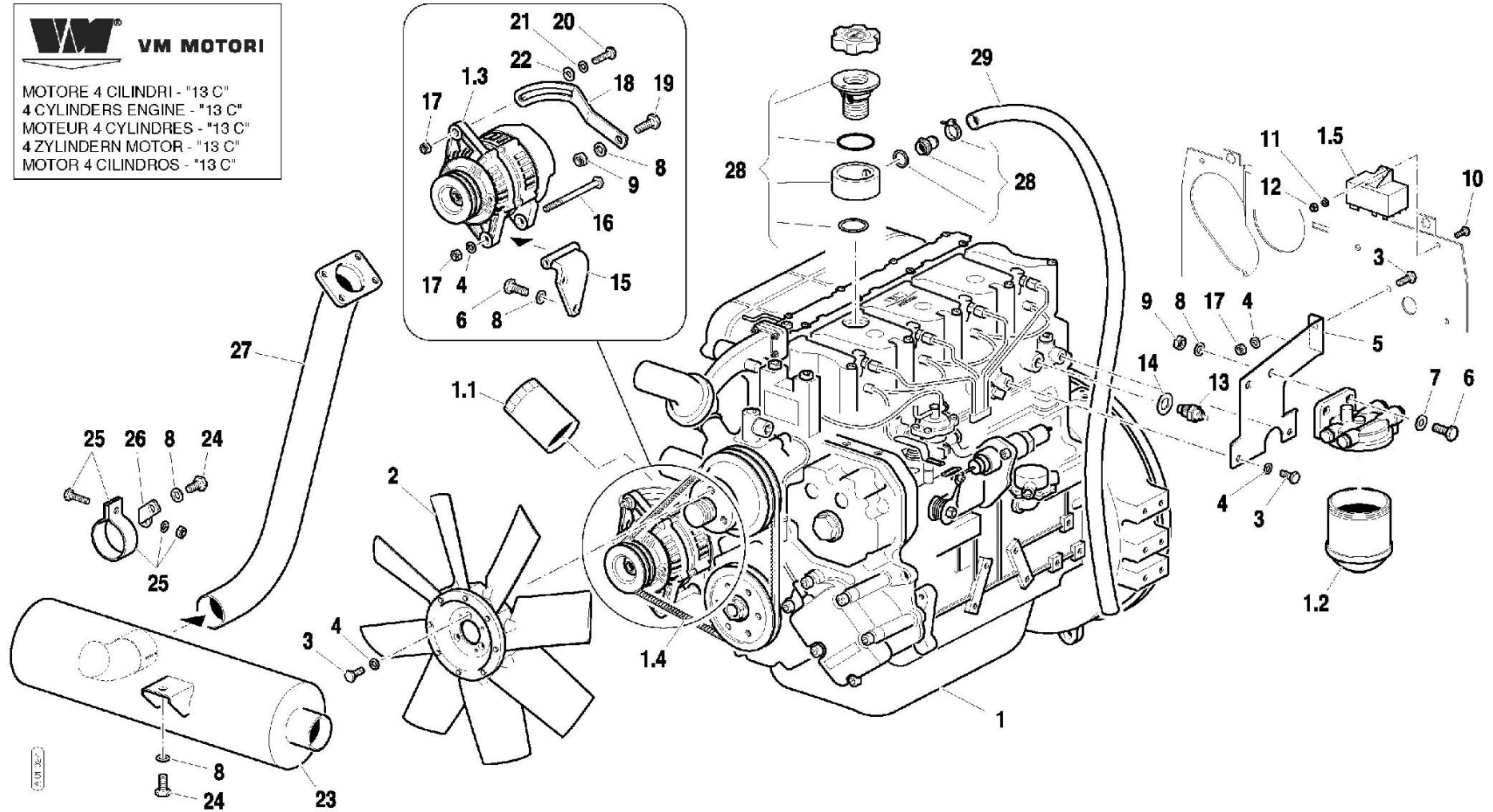
Rev.

1

Data

05/2003

1/1

**VM MOTORI**MOTORE 4 CILINDRI - "13 C"
4 CYLINDERS ENGINE - "13 C"
MOTEUR 4 CYLINDRES - "13 C"
4 ZYLINDER MOTOR - "13 C"
MOTOR 4 CILINDROS - "13 C"

Pos.	Code	Q.ty	Description	Notes
1	41S50001	0	MOTORE VM D754E1.20A+SFIATO *	
1.1	58171199	0	OIL FILTER CARTRIDGE	
1.2	58171200	0	FUEL FILTER CARTRIDGE	
1.3	59900344	0	ALTERNATOR	
1.4	59900337	0	BELT	
1.5	59900345	0	CENTRAL PROCESSING UNIT	
2	58174959	0	FAN	
3	31112150	0	SCREW TE M8X20 UNI 5739 8G	
4	F0843643060	0	WASHER 8	
5	56175189	0	RETAINER	
6	31112219	0	SCREW TE M10X25 UNI 5739	
7	31411105	0	WASHER 10,5x21	
8	F0843755000	0	WASHER 10	
9	F0814632000	0	NUT M10	
10	31112090	0	SCREW TE M6X16 UNI 5739 8G	
11	F0843570000	0	WASHER 6	
12	31212060	0	NUT M6	
13	58170233	0	DIGITAL INSTRUMENT	
14	F0844030070	0	COPPER WASHER 16,0x22/1,5	
15	59074727	0	SUPPORT	
16	31112174	0	SCREW TE M8X110 UNI 5737 8.8	
17	F0814574000	0	NUT M8	
18	56174728	0	TENSION ROLLER	
19	31112211	0	SCREW TE M10X30 UNI 5739	
20	31112152	0	SCREW TE M8X30 UNI 5739 8G	
21	31421083	0	WASHER	
22	31411090	0	WASHER 9x24	
23	58174612	0	EXHAUST SILENCER	
24	31112210	0	SCREW TE M10X20 UNI 5739	
25	58175121	0	COLLAR	
26	56075120	0	BRACKET	
27	59074624	0	EXHAUST	
28	59900357	0	DIGITAL INSTRUMENT	
29	58075607	0	OIL PIPE	

SERIAL
START
900560

ENGINE
Power: 80 CV

CODE REV
A0102_1_14720

FERRARI*Thor*MOTORE
ENGINE
MOTEUR
MOTOR

Validità

				90
RS-M	RS-R	MT	AR-M	AR-R
900302				→

Tavola

A.01.03

Rev.

1

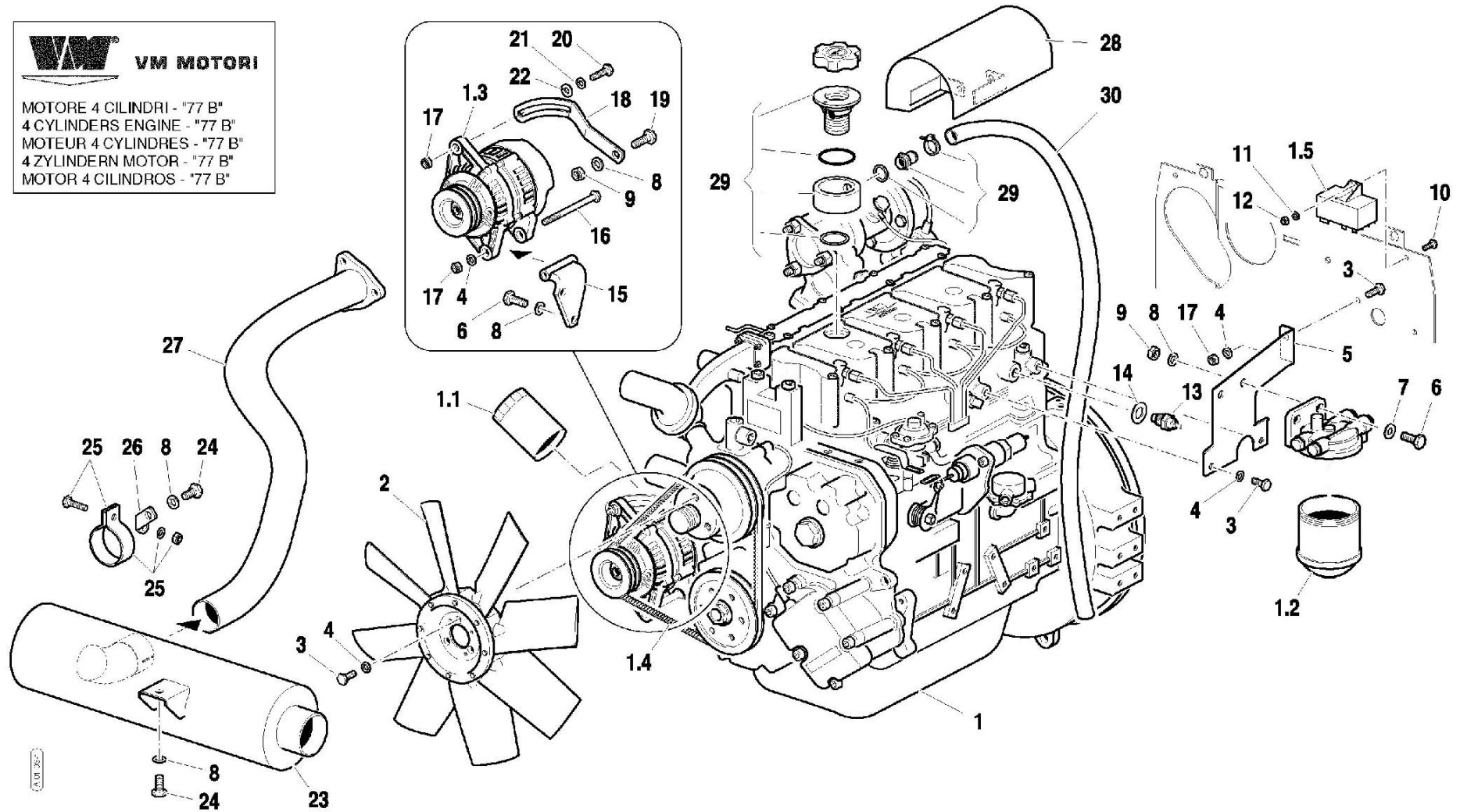
Data

05/2003

1/1

**VM MOTORI**

MOTORE 4 CILINDRI - "77 B"
 4 CYLINDERS ENGINE - "77 B"
 MOTEUR 4 CYLINDRES - "77 B"
 4 ZYLINDER MOTOR - "77 B"
 MOTOR 4 CILINDROS - "77 B"



Pos.	Code	Q.ty	Description	Notes
1	41S60001	0	MOTORE VM D704LTE.20A+SFIATO *	
1.1	58171199	0	OIL FILTER CARTRIDGE	
1.2	58171200	0	FUEL FILTER CARTRIDGE	
1.3	59900344	0	ALTERNATOR	
1.4	59900337	0	BELT	
1.5	59900345	0	CENTRAL PROCESSING UNIT	
2	58174959	0	FAN	
3	31112150	0	SCREW TE M8X20 UNI 5739 8G	
4	F0843643060	0	WASHER 8	
5	56175189	0	RETAINER	
6	31112219	0	SCREW TE M10X25 UNI 5739	
7	31411105	0	WASHER 10,5x21	
8	F0843755000	0	WASHER 10	
9	F0814632000	0	NUT M10	
10	31112090	0	SCREW TE M6X16 UNI 5739 8G	
11	F0843570000	0	WASHER 6	
12	31212060	0	NUT M6	
13	58170233	0	DIGITAL INSTRUMENT	
14	F0844030070	0	COPPER WASHER 16,0x22/1,5	
15	59074727	0	SUPPORT	
16	31112174	0	SCREW TE M8X110 UNI 5737 8.8	
17	F0814574000	0	NUT M8	
18	56174728	0	TENSION ROLLER	
19	31112211	0	SCREW TE M10X30 UNI 5739	
20	31112152	0	SCREW TE M8X30 UNI 5739 8G	
21	31421083	0	WASHER	
22	31411090	0	WASHER 9x24	
23	58174613	0	EXHAUST SILENCER	
24	31112210	0	SCREW TE M10X20 UNI 5739	
25	58175121	0	COLLAR	
26	56075120	0	BRACKET	
27	59075072	0	EXHAUST	
28	59074627	0	GUARD	
29	59900357	0	DIGITAL INSTRUMENT	

SERIAL
START
900302

ENGINE
Power: 90 CV

CODE REV
A0103_1_14789

FERRARI*Thor*MOTORE
ENGINE
MOTEUR
MOTOR

Validità

				90
RS-M	RS-R	MT	AR-M	AR-R
900302				→

Tavola

A.01.03

Rev.

1

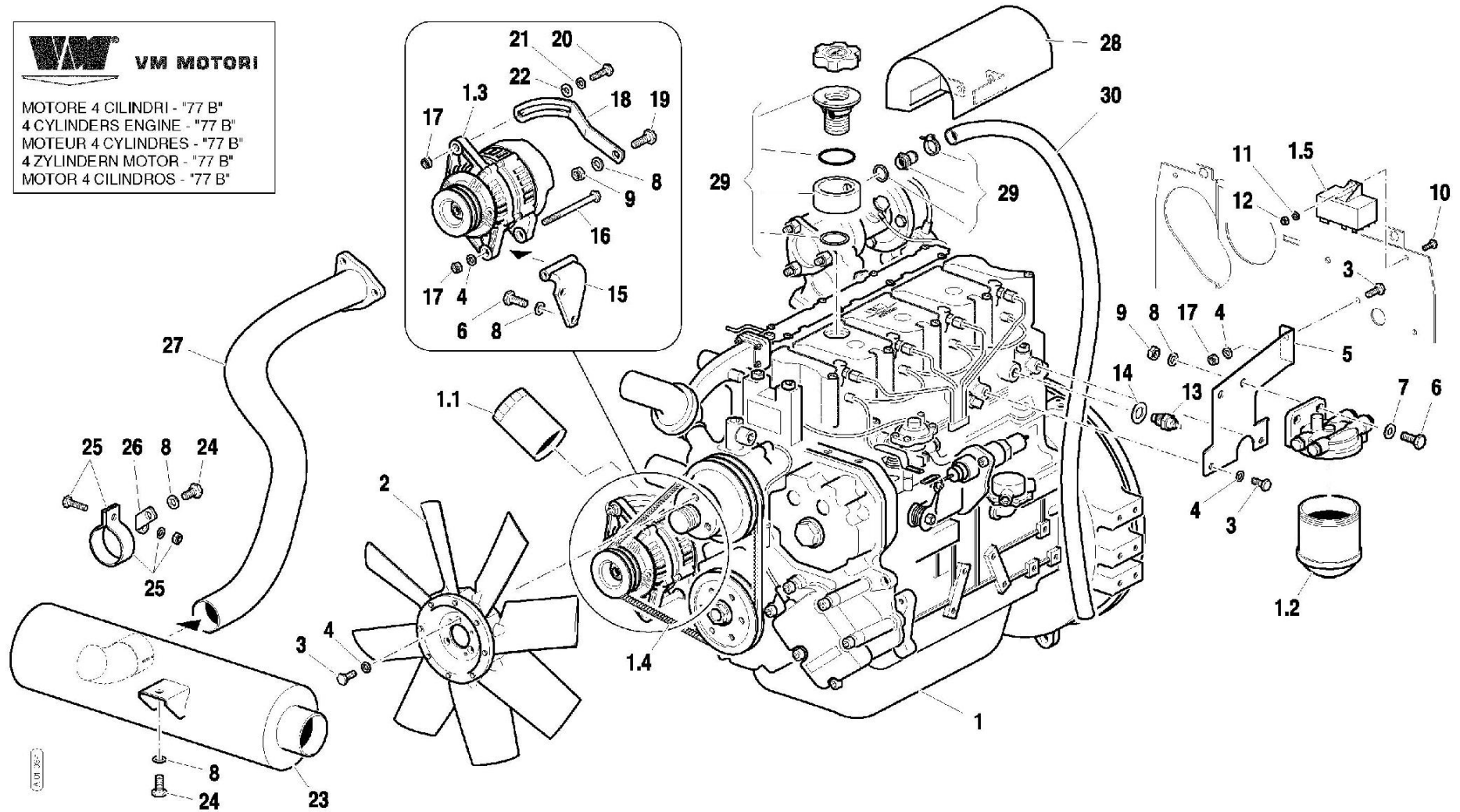
Data

05/2003

1/1

**VM MOTORI**

MOTORE 4 CILINDRI - "77 B"
 4 CYLINDERS ENGINE - "77 B"
 MOTEUR 4 CYLINDRES - "77 B"
 4 ZYLINDERN MOTOR - "77 B"
 MOTOR 4 CILINDROS - "77 B"



Pos.	Code	Q.ty	Description	Notes
30	58075607	0	OIL PIPE	

SERIAL
START
900302

ENGINE
Power: 90 CV

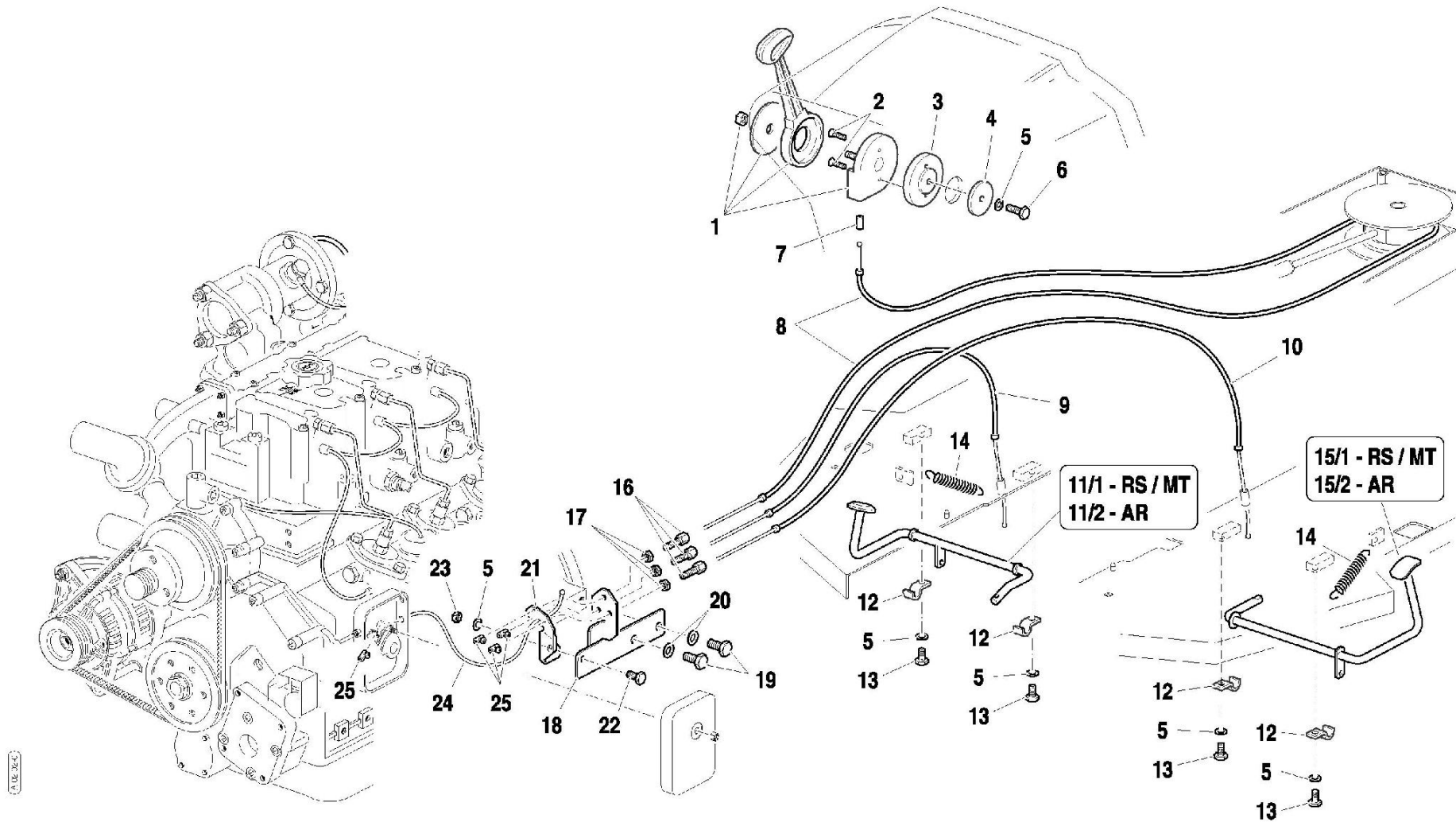
CODE REV
A0103_1_14789



COMANDI MOTORE
ENGINE CONTROLS
COMMANDES MOTEUR
MOTOR ANTRIEBE
MANDOS MOTOR

Validità		
70		
RS-R	MT	AR-R

Tavola	Rev.	Data
A.02.02	0	05/2003



Pos.	Code	Q.ty	Description	Notes
1	F0828029070	0	ACCELERATOR	
2	31132562	0	SCREW TSVEI M6X16 UNI 5933	
3	56171877	0	FLANGE	
4	56171883	0	LOCK WASHER D.45x9/4	
5	F0843643060	0	WASHER 8	
6	31112150	0	SCREW TE M8X20 UNI 5739 8G	
7	F0858520000	0	SLEEVE	
8	58075245	0	CABLE	
9	58072492	0	CABLE	
10	58070489	0	CABLE	
11/1	59074346	0	ACCEL. PEDAL	
11/2	59073681	0	ACCEL. PEDAL	
12	56071768	0	PLATE	
13	31112148	0	SCREW TE M8X18 UNI 5739 8G	
14	F0831125000	0	SPRING	
15/1	59074347	0	ACCEL. PEDAL	
15/2	59074213	0	ACCEL. PEDAL	
16	F0858021000	0	REGISTER	
17	31231080	0	NUT M8	
18	59075240	0	SUPPORT	
19	31112210	0	SCREW TE M10X20 UNI 5739	
20	F0843755000	0	WASHER 10	
21	56175241	0	COMMAND LEVER	
22	31111151	0	SCREW TE M8X16 UNI 5739 8G	
23	F0814569000	0	NUT M8 UNI 5589 CL:8	
24	58075246	0	CABLE	
25	58048002	0	CLAMPING SCREW	

SERIAL

ENGINE CONTROLS

Power: 70 CV

CODE REV

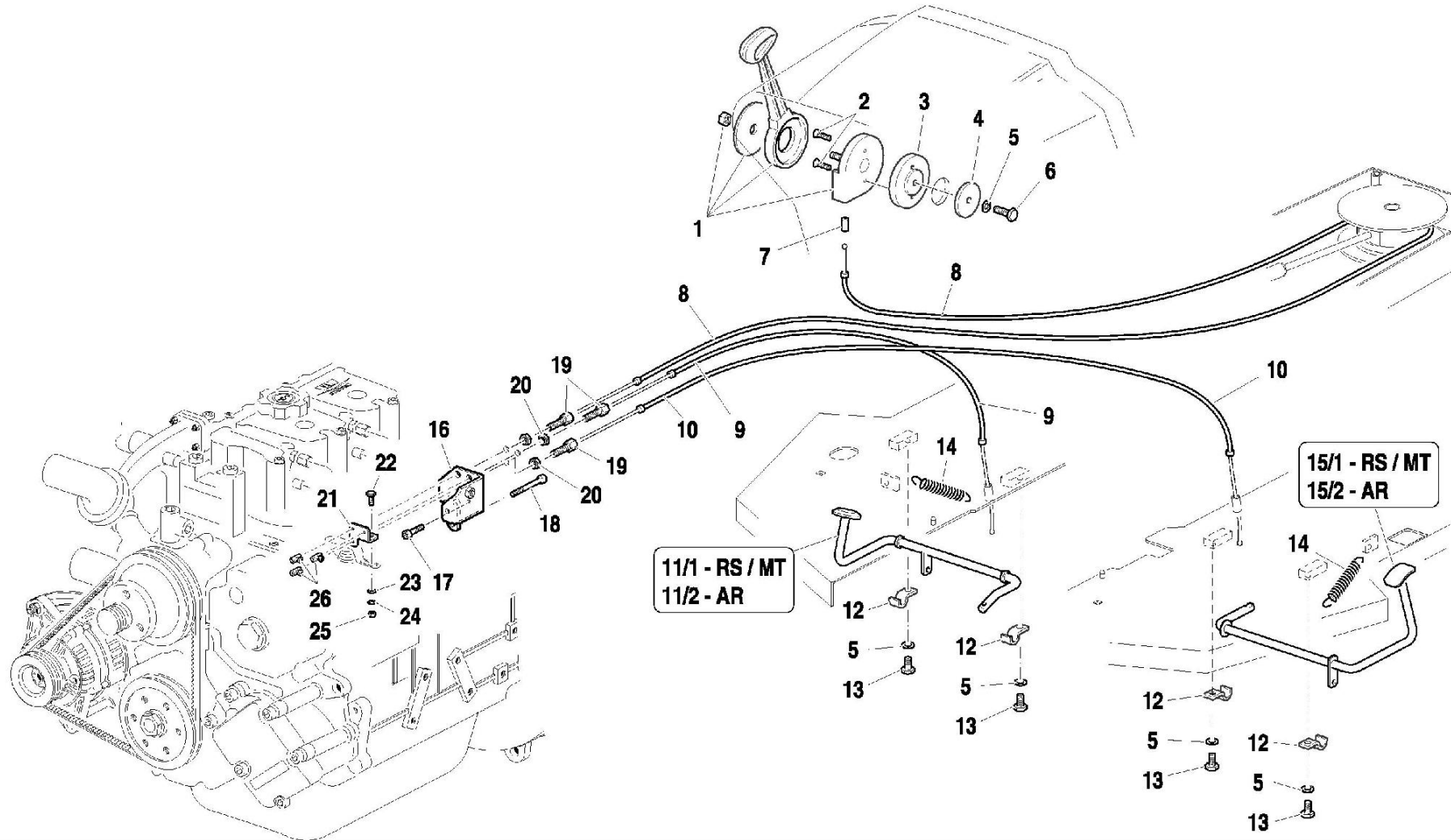
A0202_0_14843



COMANDI MOTORE
ENGINE CONTROLS
COMMANDES MOTEUR
MOTOR ANTRIEBE
MANDOS MOTOR

Validità		
	80	90
RS-R	MT	AR-R

Tavola	Rev.	Data
A.02.04	0	05/2003



Pos.	Code	Q.ty	Description	Notes
1	F0828029070	0	ACCELERATOR	
2	31132562	0	SCREW TSVEI M6X16 UNI 5933	
3	56171877	0	FLANGE	
4	56171883	0	LOCK WASHER D.45x9/4	
5	F0843643060	0	WASHER 8	
6	31112150	0	SCREW TE M8X20 UNI 5739 8G	
7	F0858520000	0	SLEEVE	
8	58074832	0	CABLE	
9	58072074	0	CABLE	
10	58072075	0	CABLE	
11/1	59074346	0	ACCEL. PEDAL	
11/2	59073681	0	ACCEL. PEDAL	
12	56071768	0	PLATE	
13	31112148	0	SCREW TE M8X18 UNI 5739 8G	
14	F0831125000	0	SPRING	
15/1	59074347	0	ACCEL. PEDAL	
15/2	59074213	0	ACCEL. PEDAL	
16	56174661	0	BRACKET	
17	31152060	0	SCREW TCEI M6X30 UNI 5931	
18	31152068	0	SCREW TCEI M6X55 UNI 5931	
19	F0858021000	0	REGISTER	
20	31231080	0	NUT M8	
21	56174660	0	CONNECTION	
22	31112051	0	SCREW TE M5X14 UNI 5739 8G	
23	31411053	0	WASHER 5,3x10	
24	F0843561000	0	WASHER 5	
25	31211050	0	NUT M5	
26	58048002	0	CLAMPING SCREW	

SERIAL

ENGINE CONTROLS

Power: 80 CV, 90 CV

CODE REV

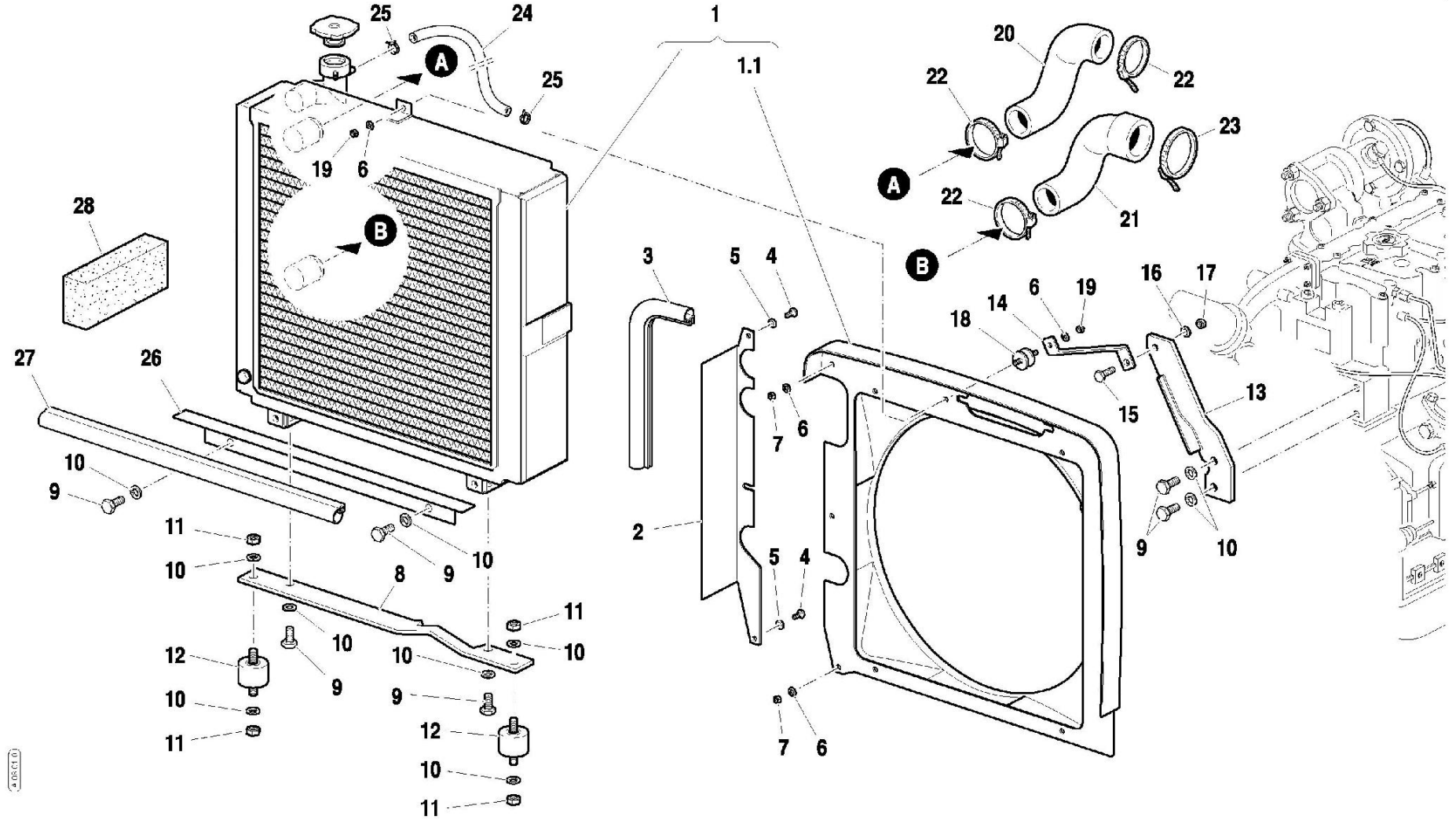
A0204_0_14897



RADIATORE
COOLER
RADIATEUR
KÜHLER
RADIADOR

Validità				
70				
RS-M	RS-R	MT	AR-M	AR-R

Tavola	Rev.	Data
A.03.01	0	05/2003



INJECTA

Pos.	Code	Q.ty	Description	Notes
1	58175023	0	RADIATOR	
1.1	58175025	0	DUCT	
2	56175194	0	HOLDING	
3	P00000026000	0	GASKET	
4	31112082	0	SCREW TE M6X12 UNI 5739 8G	
5	31411064	0	WASHER 6,4x12,5	
6	F0843570000	0	WASHER 6	
7	31211060	0	NUT M6	
8	56174994	0	RETAINER	
9	31112210	0	SCREW TE M10X20 UNI 5739	
10	F0843755000	0	WASHER 10	
11	F0814632000	0	NUT M10	
12	58174356	0	SILENT-BLOCK	
13	59074996	0	FIXING BRACKET	
14	56174631	0	FIXING BRACKET	
15	31112151	0	SCREW TE M8X25 UNI 5739 8G	
16	F0843643060	0	WASHER 8	
17	F0814574000	0	NUT M8	
18	F0849206005	0	SILENT-BLOCK	
19	F0814545000	0	NUT M6	
20	55174632	0	SLEEVE	
21	55174633	0	SLEEVE	
22	F0817535000	0	CLAMP	
23	F0817550000	0	CLAMP	
24	58070873	0	VENT HOSE	
25	F0817512000	0	CLAMP	
26	56174995	0	HOLDING	
28	57375461	0	CELLULAR FOAM	

SERIAL

COOLER
Power: 70 CV

CODE REV

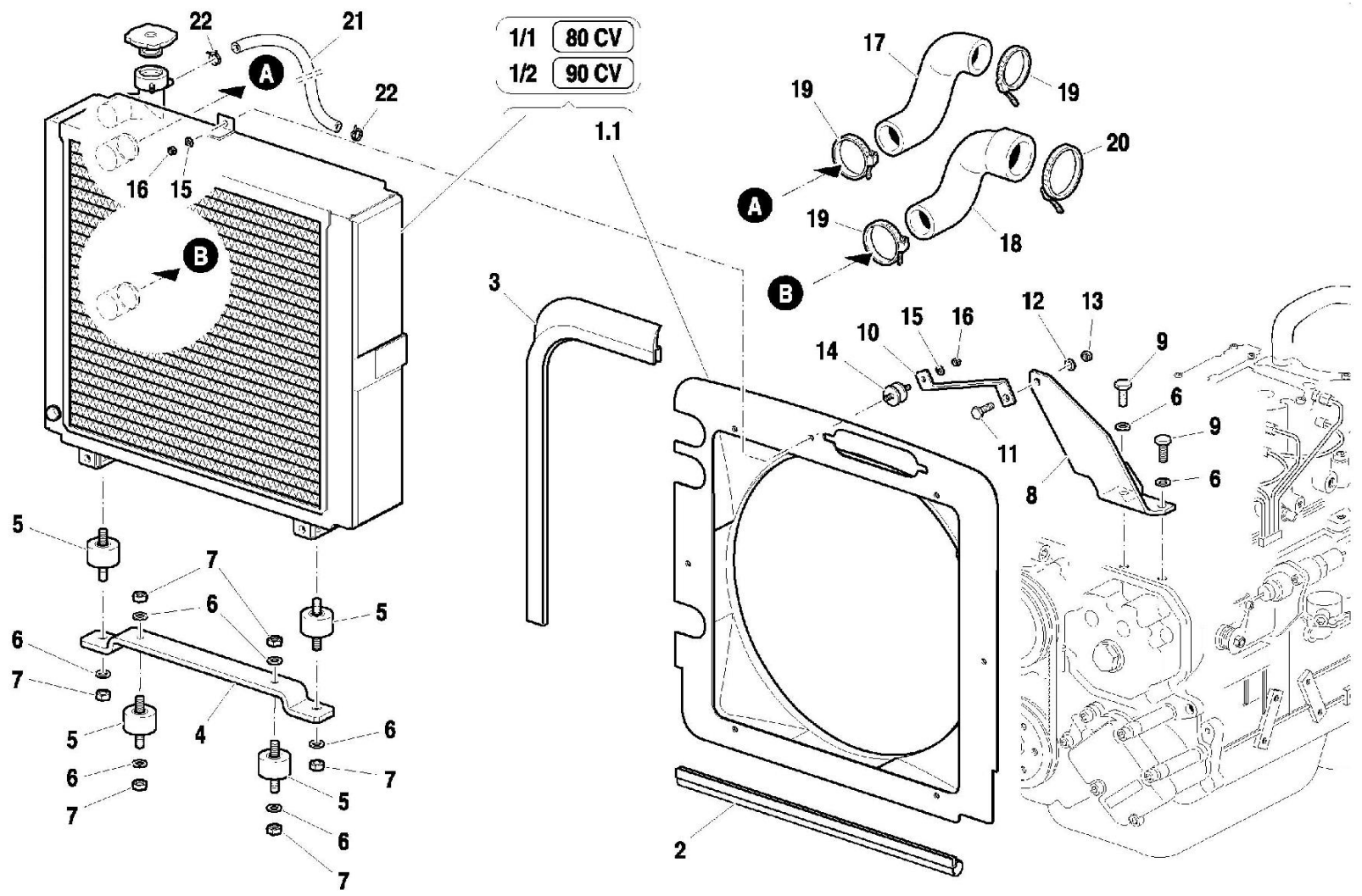
A0301_0_14926



RADIATORE
COOLER
RADIATEUR
KÜHLER
RADIADOR

Validità				
	80	90		
RS-M	RS-R	MT	AR-M	AR-R

Tavola	Rev.	Data
A.03.02	0	05/2003



1050701

Pos.	Code	Q.ty	Description	Notes
1/1	58174605	0	RADIATOR	
1.1	58175085	0	DUCT	
1/2	58174604	0	RADIATOR	
2	P00000026000	0	GASKET	
3	F0256809050	0	GASKET	
4	56174629	0	FIXING BRACKET	
5	58174608	0	SILENT-BLOCK	
6	F0843755000	0	WASHER 10	
7	F0814632000	0	NUT M10	
8	59074630	0	FIXING BRACKET	
9	31112219	0	SCREW TE M10X25 UNI 5739	
10	56174631	0	FIXING BRACKET	
11	31112151	0	SCREW TE M8X25 UNI 5739 8G	
12	F0843643060	0	WASHER 8	
13	F0814574000	0	NUT M8	
14	F0849206005	0	SILENT-BLOCK	
15	F0843570000	0	WASHER 6	
16	F0814545000	0	NUT M6	
17	55174632	0	SLEEVE	
18	55174633	0	SLEEVE	
19	F0817535000	0	CLAMP	
20	F0817550000	0	CLAMP	
21	58074874	0	VENT HOSE	
22	F0817512000	0	CLAMP	

SERIAL

COOLER

Power: 80 CV, 90 CV

CODE REV

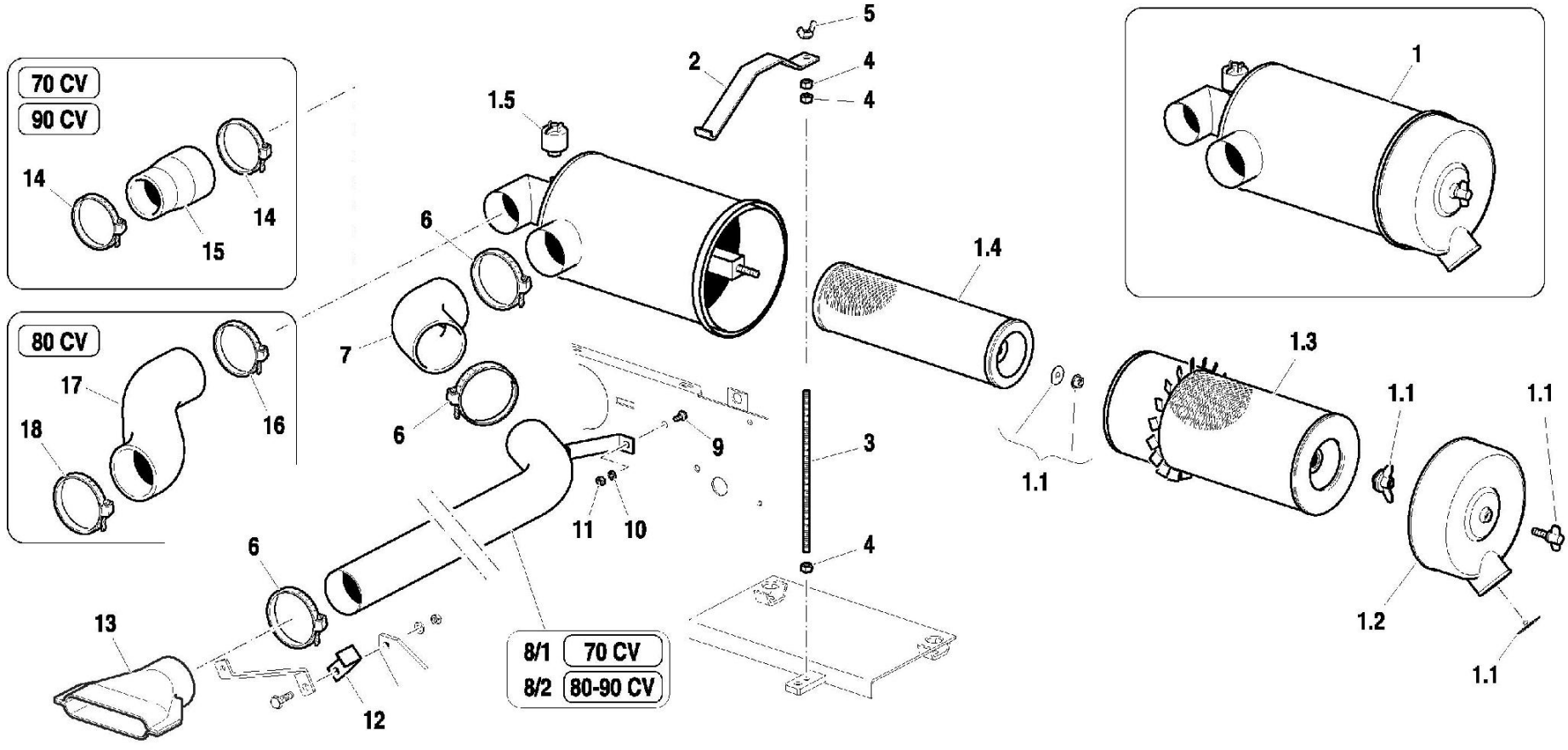
A0302_0_14955



FILTRO ARIA
 AIR FILTER
 FILTRE À AIR
 LUFTFILTER
 FILTRO DEL AIRE

Validità				
70	80	90		
RS-M	RS-R	MT	AR-M	AR-R

Tavola	Rev.	Data
A.04.01	0	05/2003



Pos.	Code	Q.ty	Description	Notes
1	58172359	0	AIR FILTER	
1.1	59900353	0	KIT	
1.2	59900347	0	COVER	
1.3	58171028	0	CARTOUCHE	
1.4	58171027	0	CARTOUCHE	
1.5	58173165	0	INDICATOR	
2	56174636	0	FIXING BRACKET	
3	56174635	0	ROD	
4	F0814574000	0	NUT M8	
5	31200501	0	NUT M8	
6	F0817568100	0	CLAMP	
7	55172355	0	SLEEVE	
8/1	59075190	0	PIPE	
8/2	59074638	0	PIPE	
9	31112082	0	SCREW TE M6X12 UNI 5739 8G	
10	F0843570000	0	WASHER 6	
11	F0814574000	0	NUT M8	
12	56174637	0	FIXING BRACKET	
13	57372341	0	SOCKET	
14	F0817568000	0	CLAMP	
15	55174760	0	SLEEVE	
16	F0817568000	0	CLAMP	
17	55174761	0	SLEEVE	
18	F0817568100	0	CLAMP	

SERIAL

AIR FILTER

Power: 70 CV, 80 CV, 90 CV

CODE REV

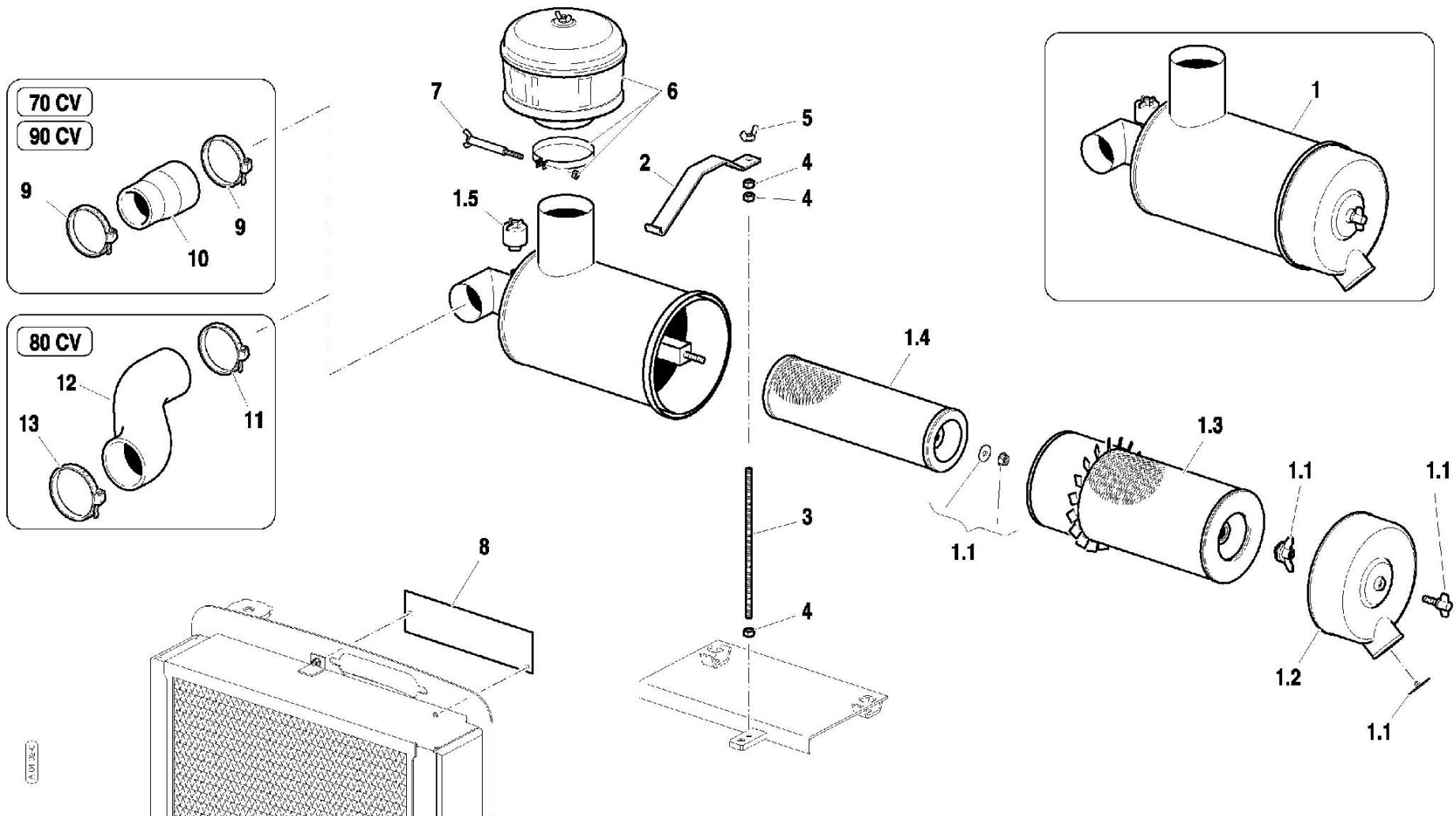
A0401_0_14980



FILTRO ARIA CON PRESA D'ARIA ESTERNA
AIR FILTER WITH EXTERNAL AIR INTAKE
FILTRE À AIR AVEC PRISE DE L'AIR EXTÉRIEUR
LUFILTER MIT AUSSENLUFTKLAPPE
FILTRO DE AIRE CON TOMA DE AIRE EXTERNA

Validità				
70	80	90		
RS-M	RS-R	MT	AR-M	AR-R

Tavola	Rev.	Data
A.04.02	0	05/2003



7.01.26.5

Pos.	Code	Q.ty	Description	Notes
1	58175044	0	AIR FILTER	
1.1	59900353	0	KIT	
1.2	59900347	0	COVER	
1.3	58171028	0	CARTOUCHE	
1.4	58171027	0	CARTOUCHE	
1.5	58173165	0	INDICATOR	
2	56174636	0	FIXING BRACKET	
3	56174635	0	ROD	
4	F0814574000	0	NUT M8	
5	31200501	0	NUT M8	
6	58171069	0	PRECLEANER	
7	59073184	0	SCREW	
8	56174976	0	STRIKER PLATE	
9	F0817568000	0	CLAMP	
10	55174760	0	SLEEVE	
11	F0817568000	0	CLAMP	
12	55174761	0	SLEEVE	
13	F0817568100	0	CLAMP	

SERIAL

AIR FILTER WITH EXTERNAL AIR INTAKE

Power: 70 CV, 80 CV, 90 CV

CODE REV

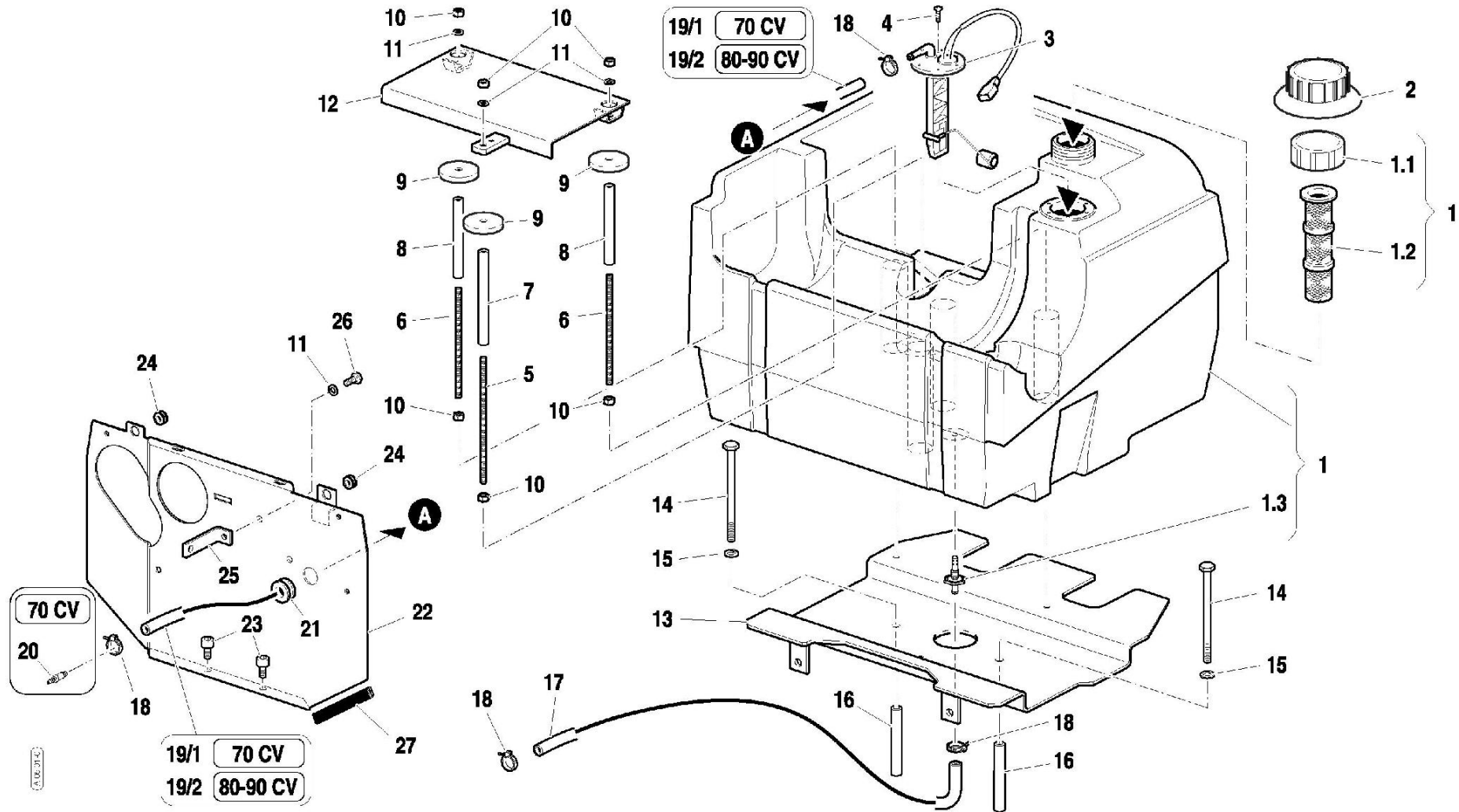
A0402_0_15005



SERBATOIO COMBUSTIBILE
 FUEL TANK
 RÉSERVOIR À COMBUSTIBLE
 KRAFTSTOFFTANK
 DEPOSITO COMBUSTIBILE

Validità				
70	80	90		
RS-M	RS-R	MT	AR-M	AR-R

Tavola	Rev.	Data
A.05.01	0	05/2003



Pos.	Code	Q.ty	Description	Notes
1	55274314	0	FUEL TANK	
1.1	F0849500001	0	TANK COVER	
1.2	F0849500002	0	FILTER	
1.3	57174915	0	PIPE FITTING	
2	57371900	0	LINING	
3	58170238	0	CONTROL	
4	F0861867050	0	SCREW M4,2X19 DIN 7981	
5	56174619	0	ROD	
6	56174620	0	ROD	
7	56174621	0	SPACER	
8	56174622	0	SPACER	
9	56170275	0	SPACER	
10	F0814574000	0	NUT M8	
11	F0843643060	0	WASHER 8	
12	59074639	0	BATTERY SUPPORT	
13	59072380	0	SUPPORT	
14	31111218	0	SCREW TE M10X140 UNI 5737 8G	
15	F0843755000	0	WASHER 10	
16	56170276	0	SPACER	
17	58070690	0	PIPE	
18	F0817512000	0	CLAMP	
19/1	58075193	0	FLEXIBLE HOSE	
19/2	58074895	0	PIPE	
20	56172950	0	PIPE FITTING	
21	58171901	0	CABLE GLAND 15,5-24-32-2	
22	59074617	0	DIVISION	
23	F0862464050	0	SCREW UNI 5931	
24	F0825414000	0	CABLE GLAND 7-15-18,5-2,5	
25	56174618	0	FIXING BRACKET	
26	31112150	0	SCREW TE M8X20 UNI 5739 8G	
27	F0256808000	0	FLAT BAND	

SERIAL

FUEL TANK

Power: 70 CV, 80 CV, 90 CV

CODE REV

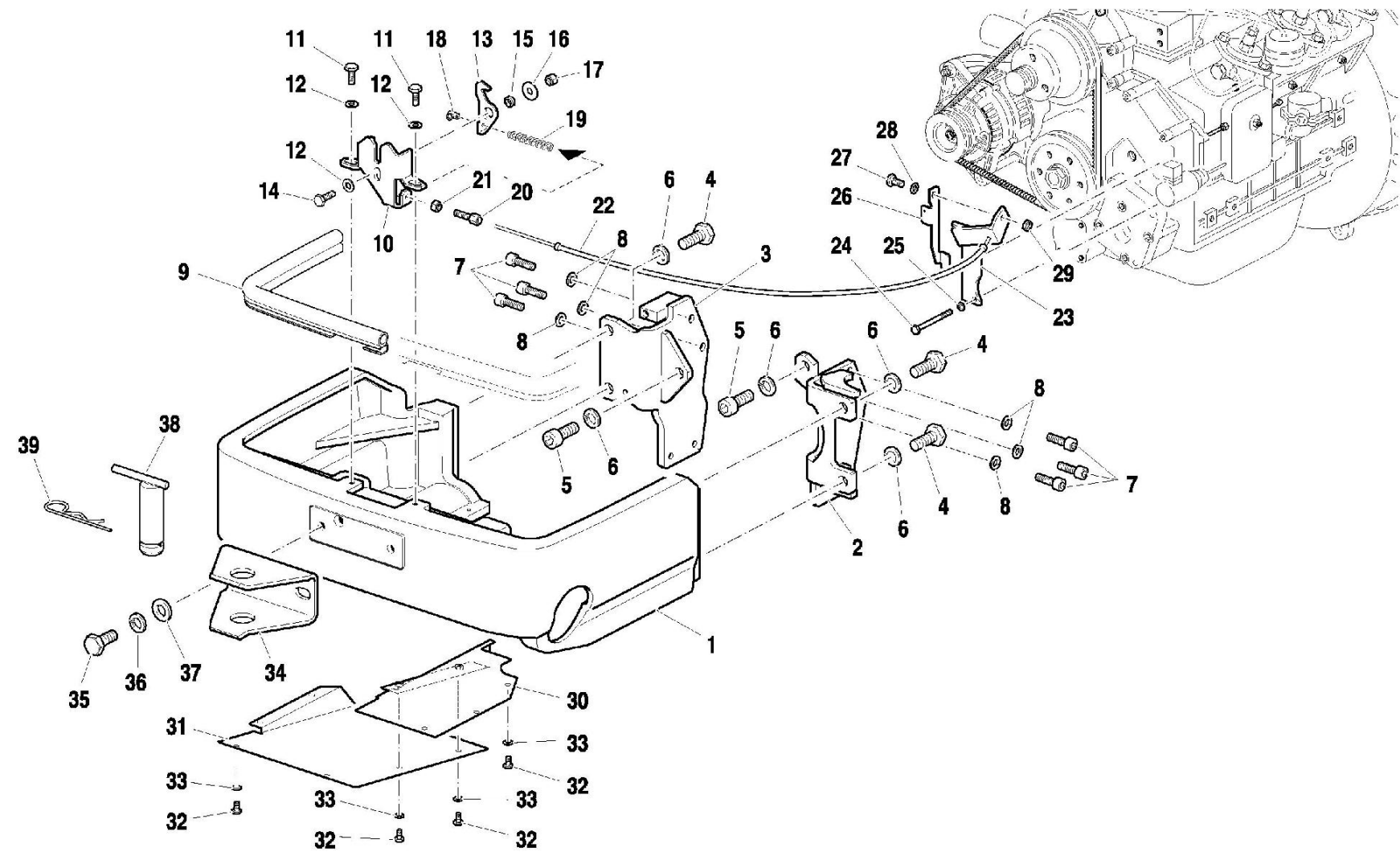
A0501_0_15024



SUPPORTO ANTERIORE
 FRONT SUPPORT
 SUPPORT ANTERIEUR
 VORDERLAGER
 SOPORTE ANTERIOR

Validità				
70				
RS-M	RS-R	MT	AR-M	AR-R

Tavola	Rev.	Data
B.01.01	0	05/2003



Pos.	Code	Q.ty	Description	Notes
1	51175000	0	FRONT SUPPORT	
2	59075541	0	LEFT BRACKET	
3	59075542	0	RIGHT YOKE	
4	31112328	0	SCREW TE M14X35 UNI 5739	
5	F0864203050	0	SCREW M14X35 UNI5931	
6	F0843921030	0	WASHER 14	
7	31152097	0	SCREW TCEI M10X30 UNI 5931	
8	F0843755000	0	WASHER 10	
9	58174882	0	HOOD SEAL	
10	56174657	0	FIXING BRACKET	
11	31112150	0	SCREW TE M8X20 UNI 5739 8G	
12	31411084	0	WASHER 8,4x17	
13	56174658	0	HOOD HOOK	
14	31112151	0	SCREW TE M8X25 UNI 5739 8G	
15	56174659	0	SPACER	
16	31411090	0	WASHER 9x24	
17	31241080	0	SELFLOCK NUT M8	
18	58048002	0	CLAMPING SCREW	
19	F0831065000	0	SPRING	
20	F0858021000	0	REGISTER	
21	31231080	0	NUT M8	
22	58075231	0	CABLE	
23	59075208	0	SUPPORT	
24	31112097	0	SCREW TE M6X70 UNI 5737 8G	
25	F0843570000	0	WASHER 6	
26	56174691	0	LEVER	
27	31111151	0	SCREW TE M8X16 UNI 5739 8G	
28	F0843643060	0	WASHER 8	
29	F0814569000	0	NUT M8 UNI 5589 CL:8	
30	59075242	0	SHIELD	
31	56175243	0	SHIELD	
32	31112082	0	SCREW TE M6X12 UNI 5739 8G	
33	F0843570000	0	WASHER 6	
34	56174873	0	TOW HOOK	

SERIAL

FRONT SUPPORT

Power: 70 CV

CODE REV

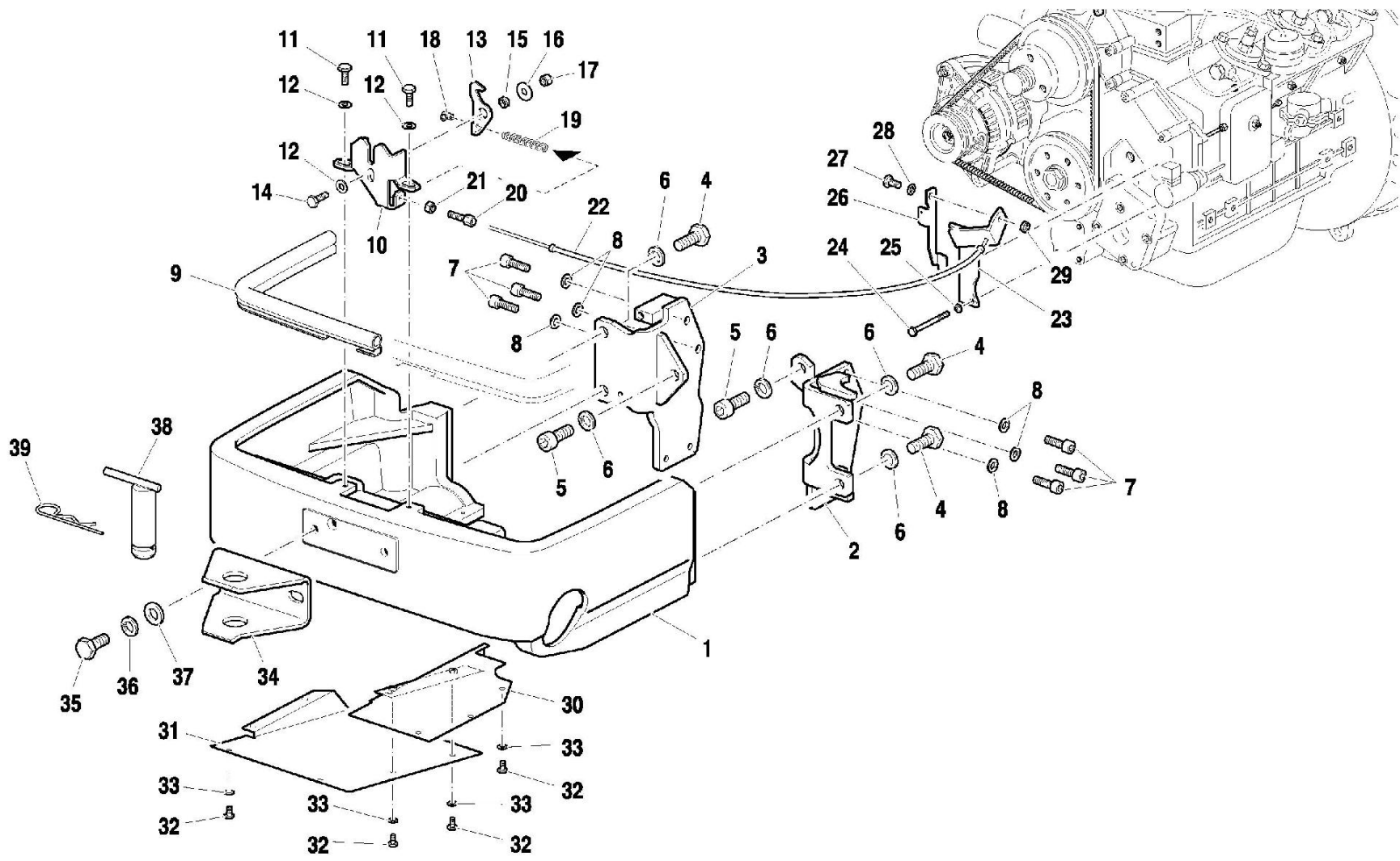
B0101_0_15056



SUPPORTO ANTERIORE
 FRONT SUPPORT
 SUPPORT ANTERIEUR
 VORDERLAGER
 SOPORTE ANTERIOR

Validità				
70				
RS-M	RS-R	MT	AR-M	AR-R

Tavola	Rev.	Data
B.01.01	0	05/2003



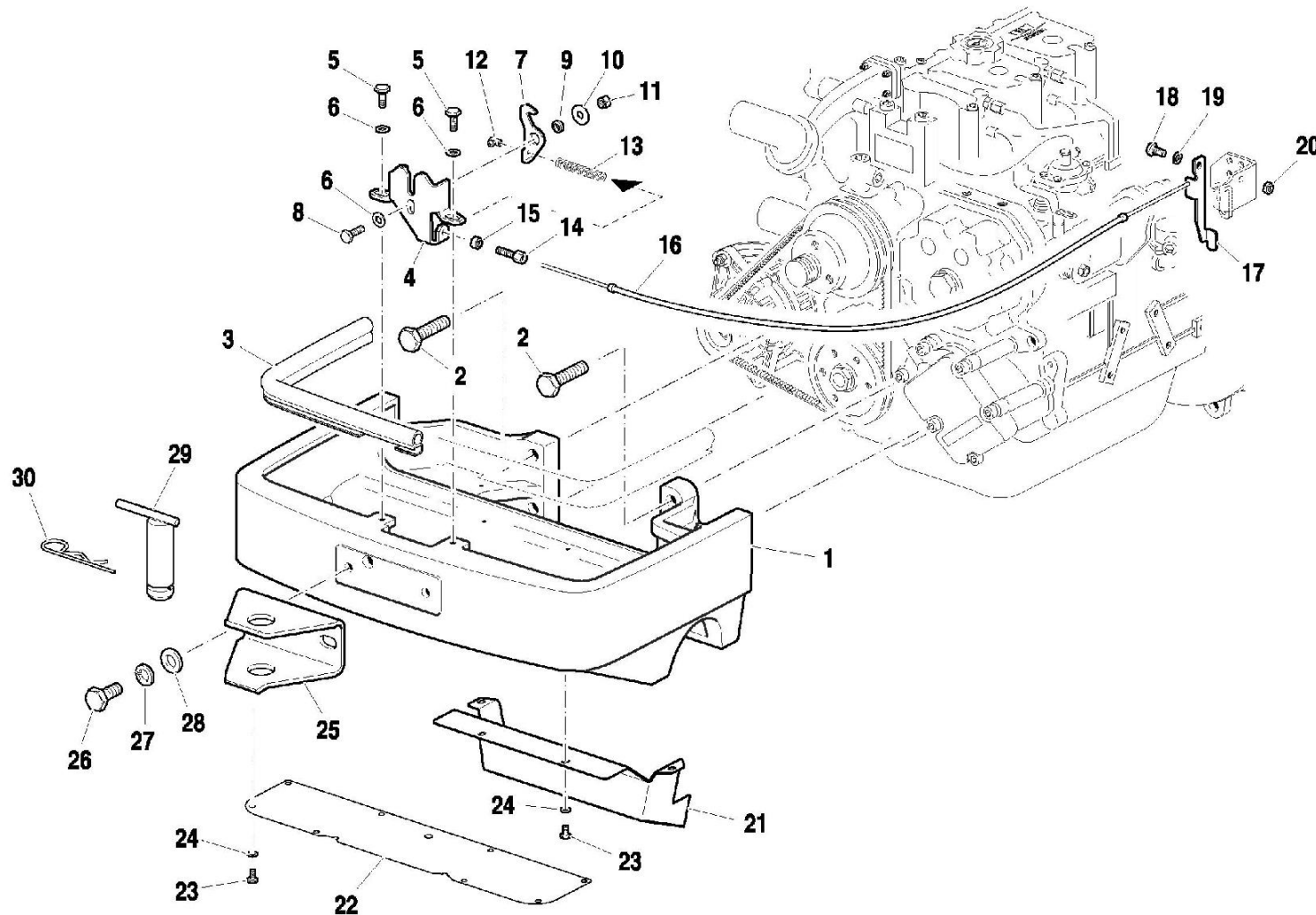
Pos.	Code	Q.ty	Description	Notes
35	31112328	0	SCREW TE M14X35 UNI 5739	
36	F0843921030	0	WASHER 14	
37	31411150	0	WASHER 15x28	
38	59075283	0	PIN	
39	F0851497000	0	SPLIT PIN	



SUPPORTO ANTERIORE
FRONT SUPPORT
SUPPORT ANTERIEUR
VORDERLAGER
SOPORTE ANTERIOR

Validità				
80		90		
RS-M	RS-R	MT	AR-M	AR-R

Tavola	Rev.	Data
B.01.02	0	05/2003



Pos.	Code	Q.ty	Description	Notes
1	51175800	0	FRONT SUPPORT	
2	31111331	0	SCREW TE M14X50 UNI5739 8G	
3	58174882	0	HOOD SEAL	
4	56174657	0	FIXING BRACKET	
5	31112150	0	SCREW TE M8X20 UNI 5739 8G	
6	31411084	0	WASHER 8,4x17	
7	56174658	0	HOOD HOOK	
8	31112151	0	SCREW TE M8X25 UNI 5739 8G	
9	56174659	0	SPACER	
10	31411090	0	WASHER 9x24	
11	31241080	0	SELFLOCK NUT M8	
12	58048002	0	CLAMPING SCREW	
13	F0831065000	0	SPRING	
14	F0858021000	0	REGISTER	
15	31231080	0	NUT M8	
16	58074831	0	CABLE	
17	56174691	0	LEVER	
18	31111151	0	SCREW TE M8X16 UNI 5739 8G	
19	F0843643060	0	WASHER 8	
20	F0814569000	0	NUT M8 UNI 5589 CL:8	
21	56175158	0	SHIELD	
22	56175799	0	DIVISION	
23	31112082	0	SCREW TE M6X12 UNI 5739 8G	
24	F0843570000	0	WASHER 6	
25	56174873	0	TOW HOOK	
26	31112328	0	SCREW TE M14X35 UNI 5739	
27	F0843921030	0	WASHER 14	
28	31411150	0	WASHER 15x28	
29	59075283	0	PIN	
30	F0851497000	0	SPLIT PIN	

SERIAL

FRONT SUPPORT
Power: 80 CV, 90 CV

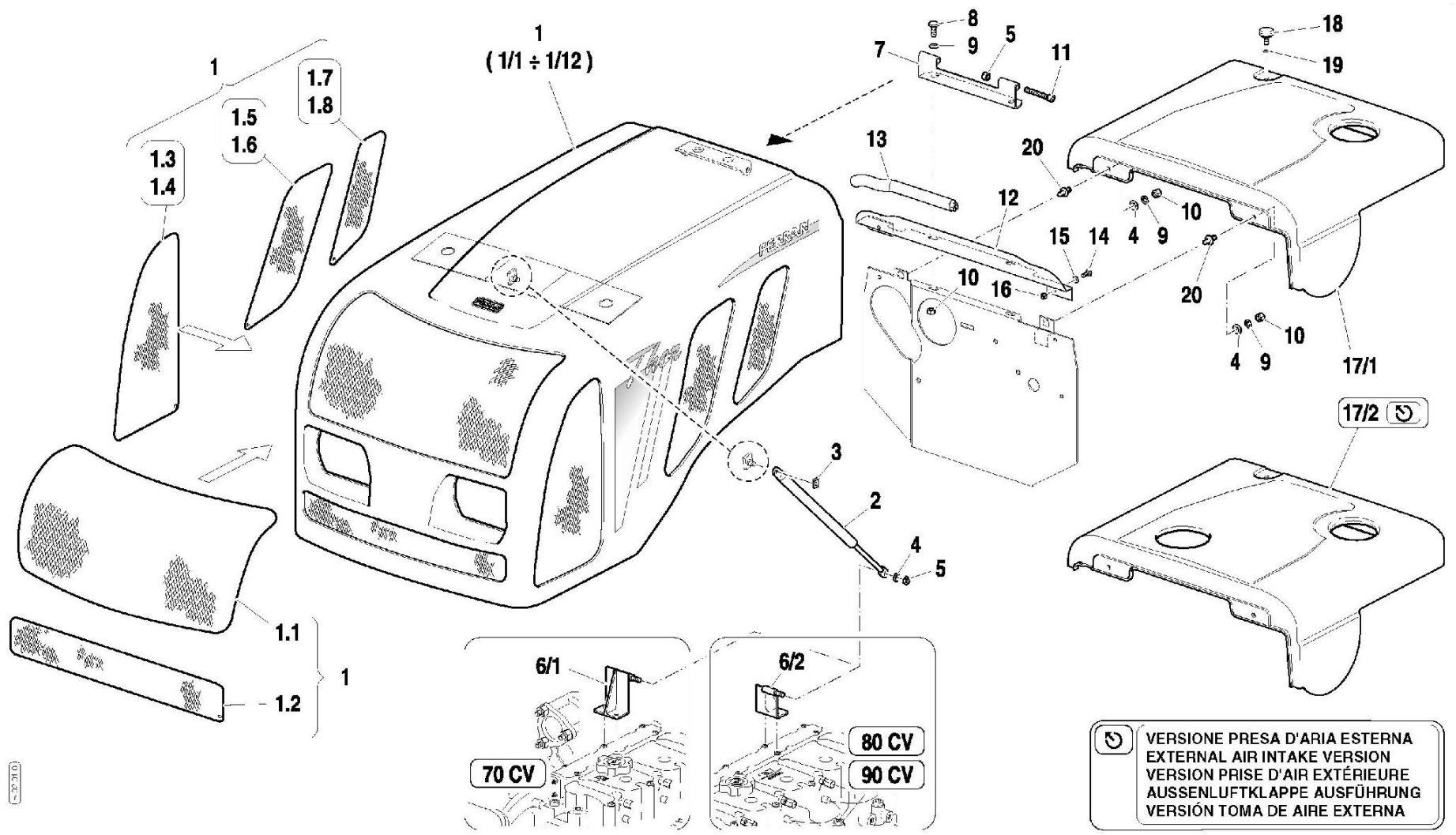
CODE REV
B0102_0_15096



COFANO
BONNET
CAPOT
HAUBE
CAPO

Validità				
70	80	90		
RS-M	RS-R	MT	AR-M	AR-R

Tavola	Rev.	Data
B.02.01	0	05/2003



523110

Pos.	Code	Q.ty	Description	Notes
1.1	56174569	0	FRONT GRILL	
1/1	59900298	0	COMPLETE HOOD	
1/10	59900307	0	COMPLETE HOOD	
1/11	59900308	0	COMPLETE HOOD	
1/12	59900309	0	COMPLETE HOOD	
1/2	59900299	0	COMPLETE HOOD	
1.2	56174649	0	FRONT GRILL	
1.3	56174647	0	FRONT GRILL	
1/3	59900300	0	COMPLETE HOOD	
1/4	59900301	0	COMPLETE HOOD	
1.4	56174648	0	FRONT GRILL	
1.5	56174650	0	FRONT GRILL	
1/5	59900302	0	COMPLETE HOOD	
1/6	59900303	0	COMPLETE HOOD	
1.6	56175365	0	FRONT GRILL	
1.7	56174651	0	FRONT GRILL	
1/7	59900304	0	COMPLETE HOOD	
1/8	59900305	0	COMPLETE HOOD	
1.8	56175364	0	FRONT GRILL	
1/9	59900306	0	COMPLETE HOOD	
2	P23641000000	0	SPRING	
3	58170436	0	CLIP	
4	31411084	0	WASHER 8,4x17	
5	F0814585000	0	SELFLOCK NUT M8	
6/1	59075602	0	BRACKET	
6/2	59075601	0	BRACKET	
7	56174654	0	BRACKET	
8	31112150	0	SCREW TE M8X20 UNI 5739 8G	
9	F0843643060	0	WASHER 8	
10	F0814574000	0	NUT M8	
11	31152088	0	SCREW TCEI M8X55 UNI 5931	
12	56174656	0	HOLDING	
13	P00000026000	0	GASKET	
14	31111091	0	SCREW E M6X14 UNI 5739 8G	

SERIAL

BONNET

Power: 70 CV, 80 CV, 90 CV

CODE REV

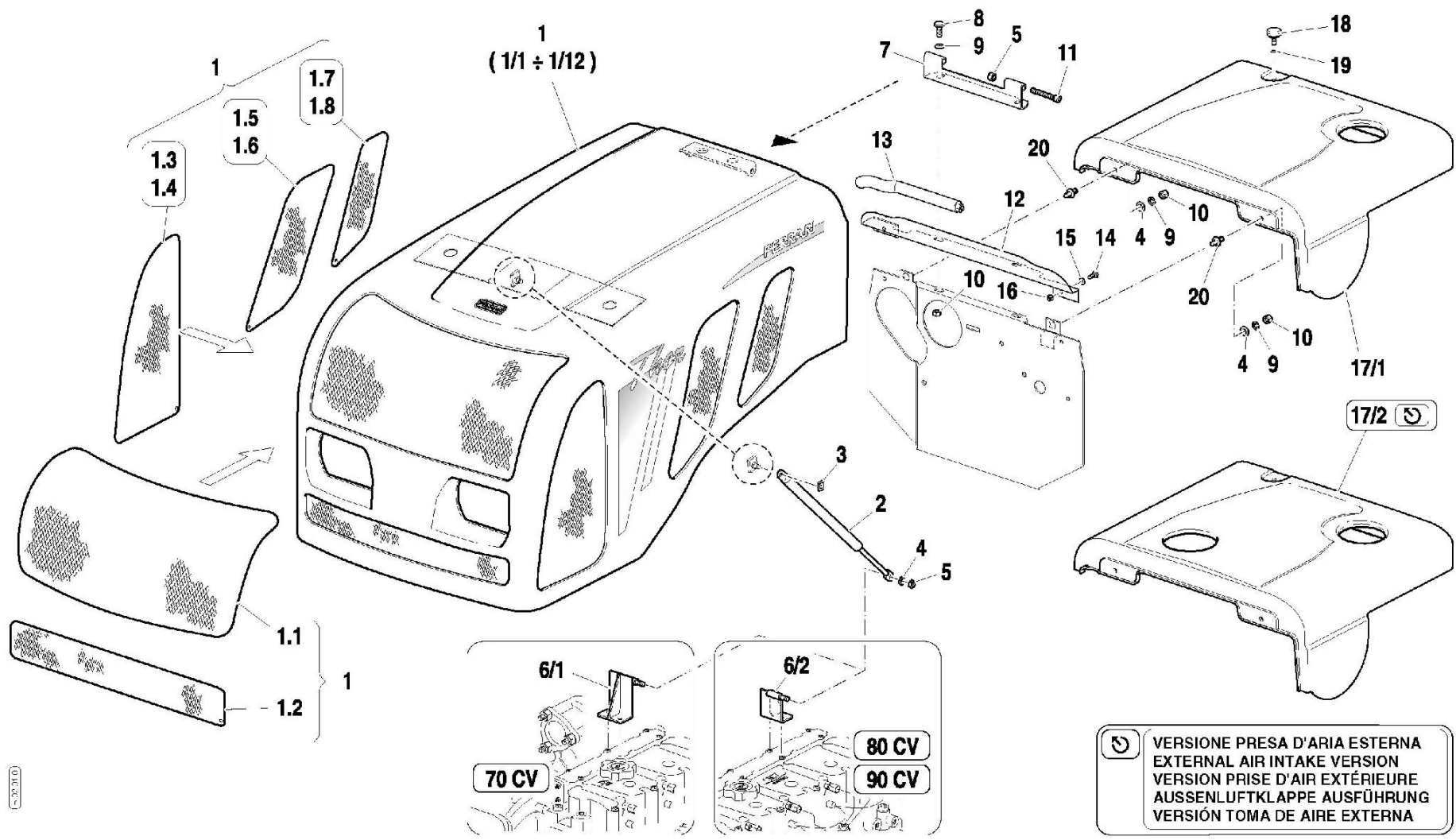
B0201_0_15127



COFANO
BONNET
CAPOT
HAUBE
CAPO

Validità				
70	80	90		
RS-M	RS-R	MT	AR-M	AR-R

Tavola	Rev.	Data
B.02.01	0	05/2003



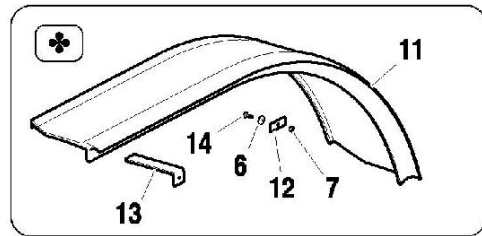
Pos.	Code	Q.ty	Description	Notes
15	F0843570000	0	WASHER 6	
16	31212060	0	NUT M6	
17/1	57374554	0	COVER	
17/2	57374977	0	COVER	
18	56174835	0	KNOB	
19	35211060	0	SEEGER RING E 6 UNI 7434	
20	59074662	0	PIN	



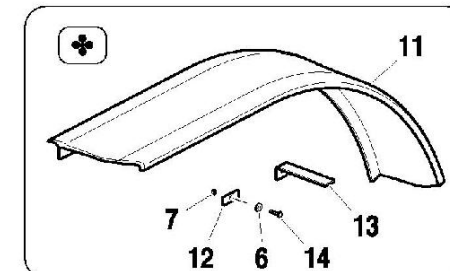
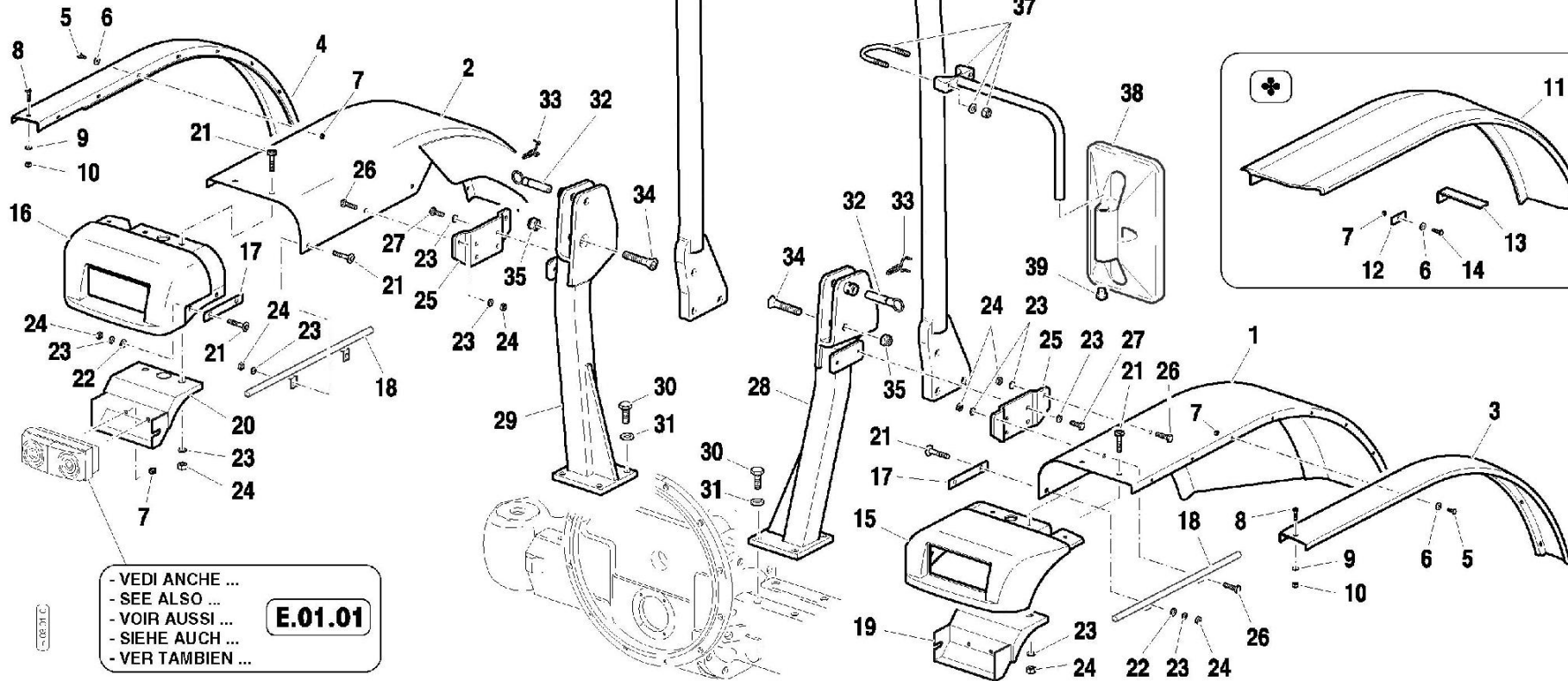
PARAFANGHI ANTERIORI
 FRONT MUDGUARDS
 AILES ANTERIEURES
 VORDERKOTFLÜGEL
 GUARDABARROSES ANTERIORES

Validità		
70	80	90
RS-M	RS-R	

Tavola	Rev.	Data
B.03.01	0	05/2003



PROLUNGHE IN GOMMA PER PARAFANGHI
RUBBER EXTENSIONS FOR MUDGUARDS
CAOUTCHOUX RALLONGES POUR AILES
GUMMI VERLÄNGERUNGEN FÜR KOTFLÜGEL
ALARGADORES DE GOMA POR GUARDABARROSES



- VEDI ANCHE ...
 - SEE ALSO ...
 - VOIR AUSSI ...
 - SIEHE AUCH ...
 - VER TAMBIEN ...

E.01.01

Pos.	Code	Q.ty	Description	Notes
1	59074669	0	LEFT FRONT FENDER	
2	59074670	0	RIGHT FRONT FENDER	
3	57374583	0	WING EXTENSION	
4	57374585	0	WING EXTENSION	
5	F0861929060	0	SCREW M5X12 UNI 5739	
6	31411054	0	WASHER 5,3X15	
7	31241051	0	SELFLOCK NUT M5	
8	F0862479040	0	SCREW M6X20 7380	
9	31411064	0	WASHER 6,4x12,5	
10	F0814547000	0	SELFLOCK NUT M6	
11	58075175	0	WING EXTENSION	
12	56175177	0	FIXING PLATE	
13	56175682	0	SUPPORTING YOKE	
14	31112060	0	SCREW M5X20 UNI 5739 8G	
15	57374926	0	SUPPORT	
16	57374927	0	SUPPORT	
17	56174135	0	FIXING BRACKET	
18	59074729	0	CABLE BARRIER RAIL	
19	59075078	0	SUPPORT	
20	59075079	0	SUPPORT	
21	F0862479030	0	SCREW M8X20 7380	
22	31411084	0	WASHER 8,4x17	
23	F0843643060	0	WASHER 8	
24	F0814573000	0	NUT M8	
25	56174579	0	WING HOLDER	
26	31112152	0	SCREW TE M8X30 UNI 5739 8G	
27	31112146	0	SCREW TE M8X22 UNI 5739 8G	
28	59071157	0	SUPPORT	
29	59071158	0	SUPPORT	
30	31112272	0	SCREW TE M12X30 UNI 5739	
31	F0843843060	0	WASHER 12	
32	56175540	0	HINGE PIN	
33	58070097	0	SPRING	
34	F0864309100	0	SCREW M14X60 UNI 5933	

SERIAL

FRONT MUDGUARDS
Power: 70 CV, 80 CV, 90 CV

CODE REV

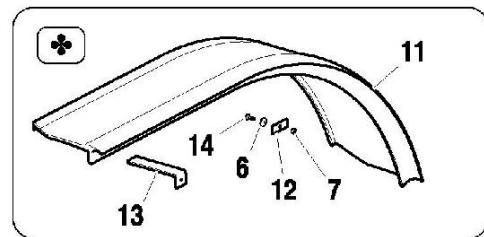
B0301_0_15169



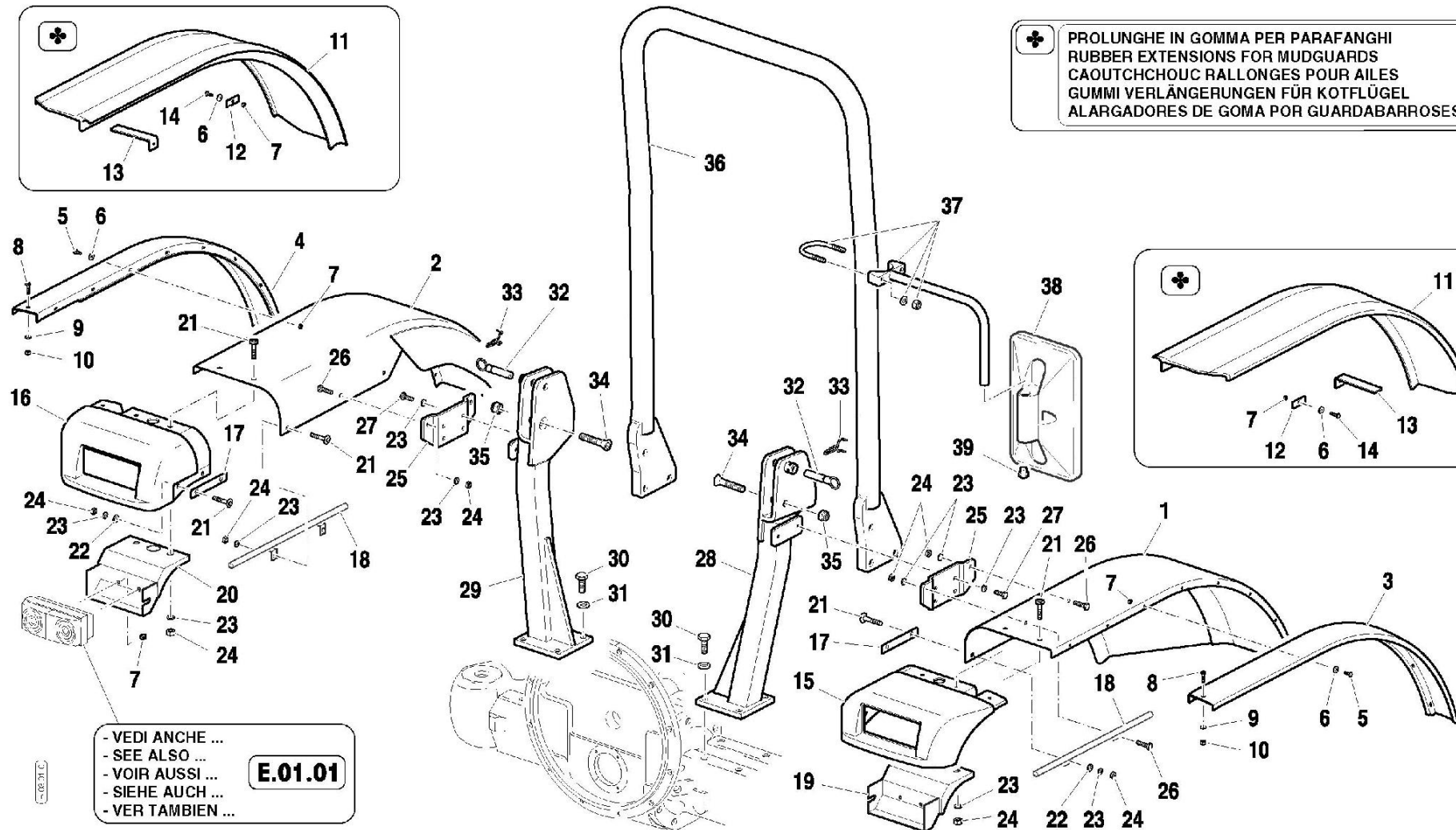
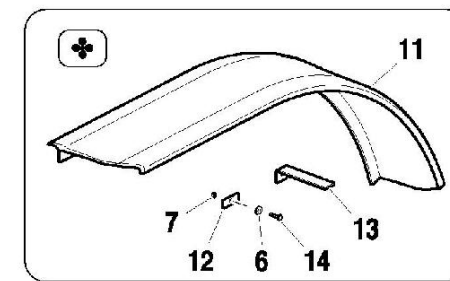
PARAFANGHI ANTERIORI
 FRONT MUDGUARDS
 AILES ANTERIEURES
 VORDERKOTFLÜGEL
 GUARDABARROSES ANTERIORES

Validità		
70	80	90
RS-M	RS-R	

Tavola	Rev.	Data
B.03.01	0	05/2003



PROLUNGHE IN GOMMA PER PARAFANGHI
RUBBER EXTENSIONS FOR MUDGUARDS
CAOUTCHOUX RALLONGES POUR AILES
GUMMI VERLÄNGERUNGEN FÜR KOTFLÜGEL
ALARGADORES DE GOMA POR GUARDABARROSES



- VEDI ANCHE ...
 - SEE ALSO ...
 - VOIR AUSSI ...
 - SIEHE AUCH ...
 - VER TAMBIEN ...

E.01.01

Pos.	Code	Q.ty	Description	Notes
35	31241140	0	SELFLOCK NUT M14	
36	59071195	0	SAFETY ROLL BAR	
37	59070591	0	SUPPORT	
38	30000514	0	REAR VIEW MIRROR	
39	58170968	0	PLUG	

SERIAL

FRONT MUDGUARDS
Power: 70 CV, 80 CV, 90 CV

CODE REV
B0301_0_15169

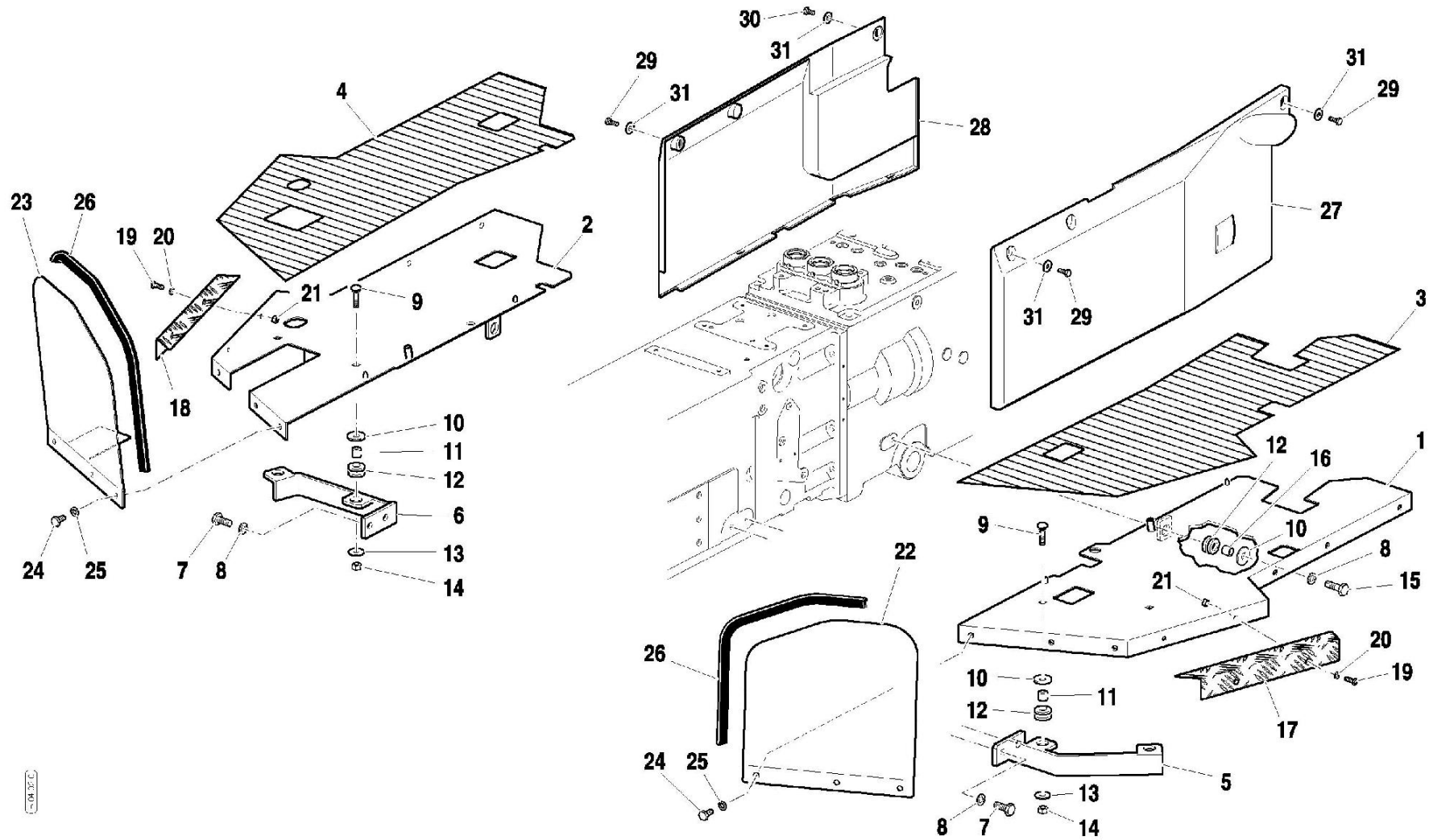


PEDANE
BOARDS
MARCHEPIEDS
FUSSBRETTER
ESTRIBOS

Validità		
70	80	90
R&R		

Tavola	Rev.
B.04.02	0

Data
05/2003



Pos.	Code	Q.ty	Description	Notes
1	59074597	0	LEFT FOOTBOARD	
2	59074596	0	RIGHT FOOTBOARD	
3	57374591	0	FOOTREST COVER	
4	57374590	0	FOOTREST COVER	
5	59074351	0	SUPPORT	
6	59073674	0	SUPPORT	
7	31112219	0	SCREW TE M10X25 UNI 5739	
8	F0843755000	0	WASHER 10	
9	31122804	0	SCREW TTQ M8X30 UNI 5731	
10	F0843818000	0	WASHER 11x30/2,5	
11	56171996	0	SPACER	
12	55175174	0	BLOCK	
13	31411090	0	WASHER 9x24	
14	F0814574000	0	NUT M8	
15	31112211	0	SCREW TE M10X30 UNI 5739	
16	56171954	0	SPACER	
17	57275032	0	ANGULAR	
18	57275033	0	ANGULAR	
19	F0862479035	0	SCREW M6X16 7380	
20	F0843570000	0	WASHER 6	
21	31211060	0	NUT M6	
22	56174527	0	FOOTBOARD PROTECTION	
23	59074782	0	FOOTBOARD PROTECTION	
24	31112149	0	SCREW TE M8X12 UNI 5739 8G	
25	F0843643060	0	WASHER 8	
26	F0256808000	0	FLAT BAND	
27	57374533	0	GUARD	
28	57374536	0	GUARD	
29	F0862479035	0	SCREW M6X16 7380	
30	F0862479034	0	SCREW M6X12 7380	
31	31411066	0	WASHER 6,6x18	

SERIAL

BOARDS

Power: 70 CV, 80 CV, 90 CV

CODE REV

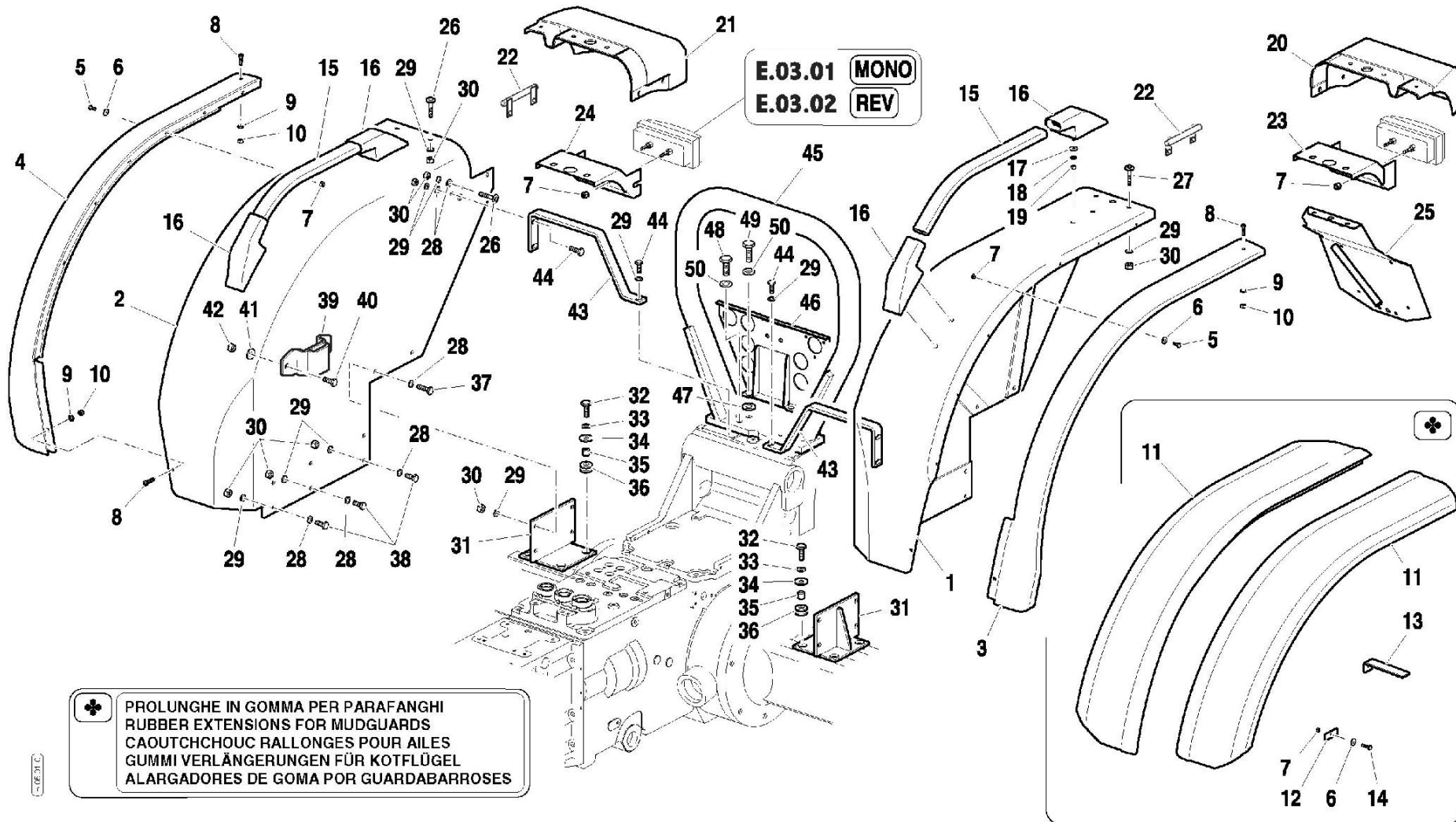
B0402_0_15303




PARAFANGHI POSTERIORI
 REAR MUDGUARDS
 AILES POSTERIEURES
 HINTERKOTFLÜGEL
 GUARDABARROSES POSTERIORES

Validità		
70	80	90
RS-M	RS-R	

Tavola	Rev.	Data
B.05.01	0	05/2003




 PROLUNGHE IN GOMMA PER PARAFANGHI
 RUBBER EXTENSIONS FOR MUDGUARDS
 CAOUTCHOUX RALLONGES POUR AILES
 GUMMI VERLÄNGERUNGEN FÜR KOTFLÜGEL
 ALARGADORES DE GOMA POR GUARDABARROSES

Pos.	Code	Q.ty	Description	Notes
1	59074671	0	LEFT REAR FENDER	
2	59074672	0	RIGHT REAR FENDER	
3	57374584	0	EXTENSION	
4	57374586	0	WING EXTENSION	
5	F0861929060	0	SCREW M5X12 UNI 5739	
6	31411054	0	WASHER 5,3X15	
7	31241051	0	SELFLOCK NUT M5	
8	F0862479040	0	SCREW M6X20 7380	
9	31411064	0	WASHER 6,4x12,5	
10	F0814547000	0	SELFLOCK NUT M6	
11	58075176	0	WING EXTENSION	
12	56175177	0	FIXING PLATE	
13	56175682	0	SUPPORTING YOKE	
14	31112060	0	SCREW M5X20 UNI 5739 8G	
15	56174337	0	MUDGUARD HANDLE	
16	55072935	0	SUPPORT	
17	31411066	0	WASHER 6,6x18	
18	F0843570000	0	WASHER 6	
19	31211060	0	NUT M6	
20	57374927	0	SUPPORT	
21	57374926	0	SUPPORT	
22	59074391	0	CABLE BARRIER RAIL	
23	59075079	0	SUPPORT	
24	59075078	0	SUPPORT	
25	59075081	0	LICENCE PLATE HOLD	
26	F0862479030	0	SCREW M8X20 7380	
27	F0862479032	0	SCREW M8X25 7380	
28	31411084	0	WASHER 8,4x17	
29	F0843643060	0	WASHER 8	
30	F0814573000	0	NUT M8	
31	59074385	0	FIXING BRACKET	
32	31112211	0	SCREW TE M10X30 UNI 5739	
33	F0843755000	0	WASHER 10	
34	F0843818000	0	WASHER 11x30/2,5	

SERIAL

REAR MUDGUARDS
Power: 70 CV, 80 CV, 90 CV

CODE REV

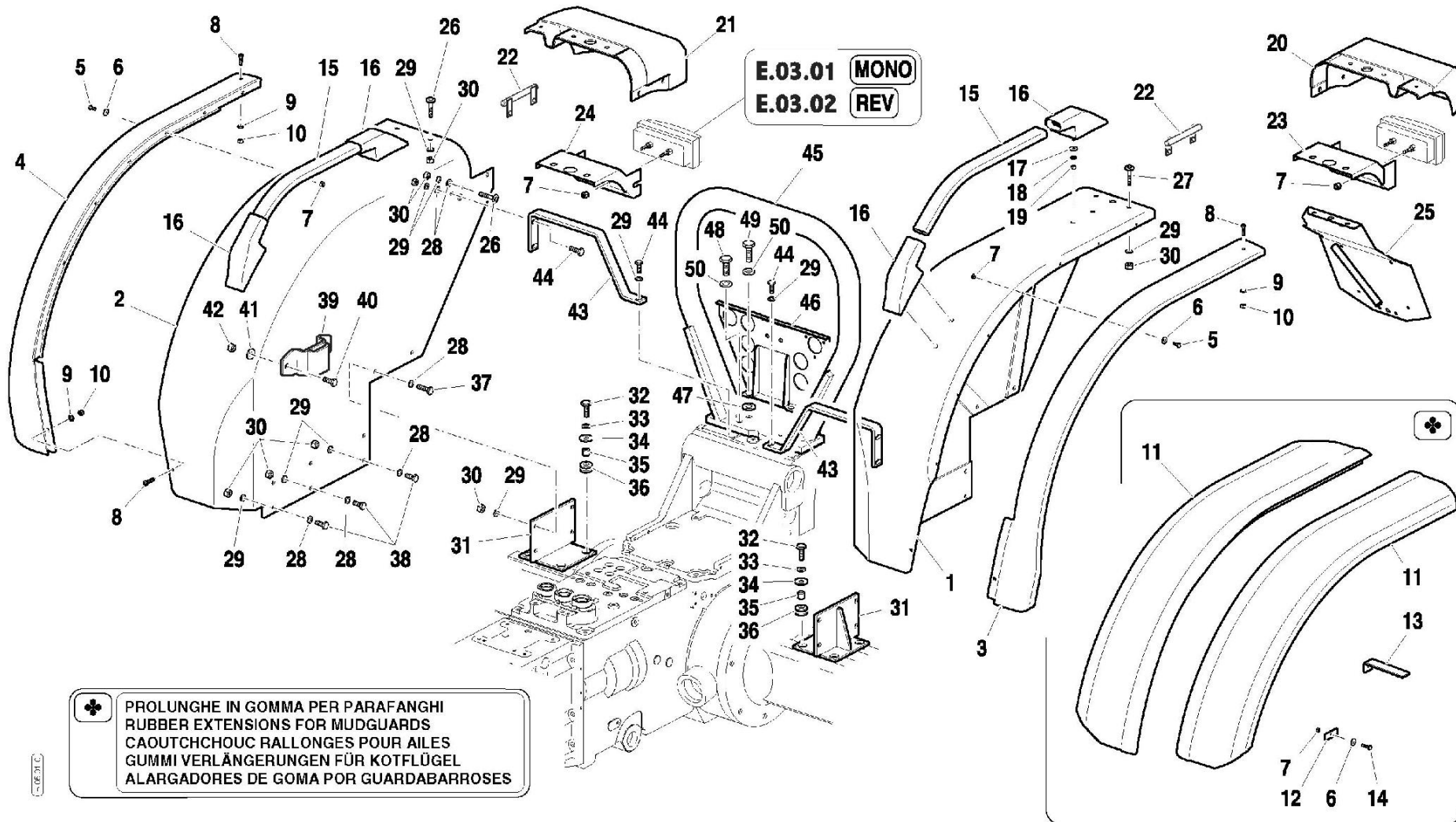
B0501_0_15441



PARAFANGHI POSTERIORI
 REAR MUDGUARDS
 AILES POSTERIEURES
 HINTERKOTFLÜGEL
 GUARDABARROSES POSTERIORES

Validità		
70	80	90
RS-M	RS-R	

Tavola	Rev.	Data
B.05.01	0	05/2003



PROLUNGHE IN GOMMA PER PARAFANGHI
 RUBBER EXTENSIONS FOR MUDGUARDS
 CAOUTCHOUX RALLONGES POUR AILES
 GUMMI VERLÄNGERUNGEN FÜR KOTFLÜGEL
 ALARGADORES DE GOMA POR GUARDABARROSES

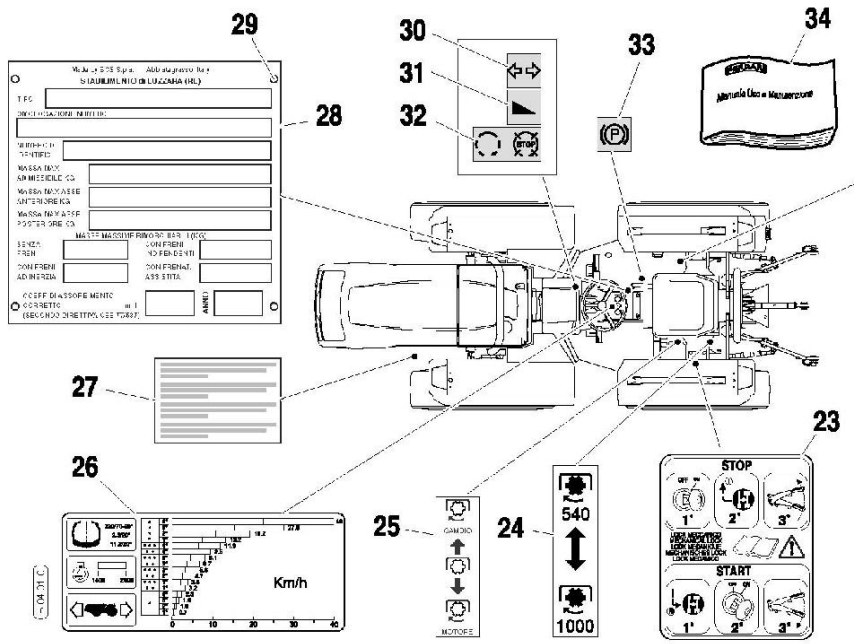
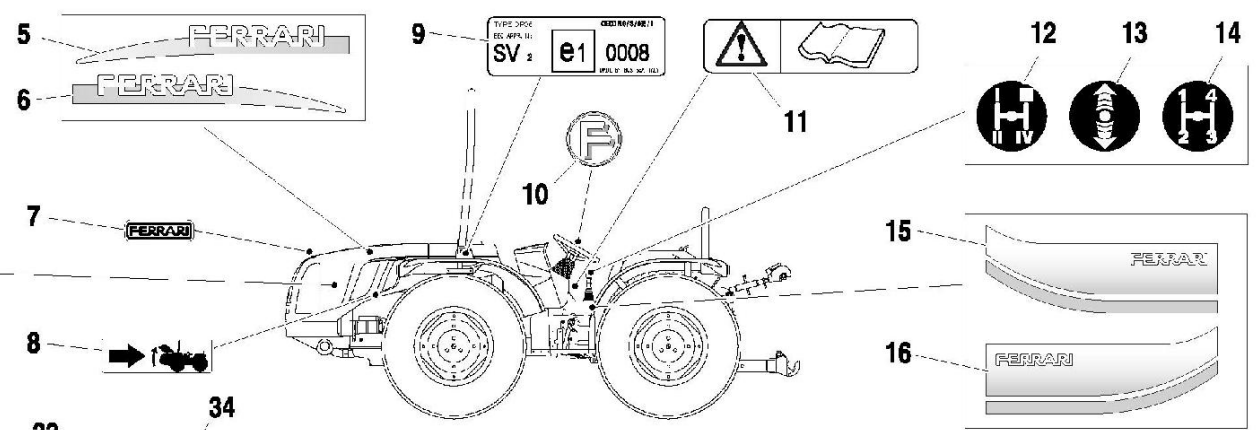
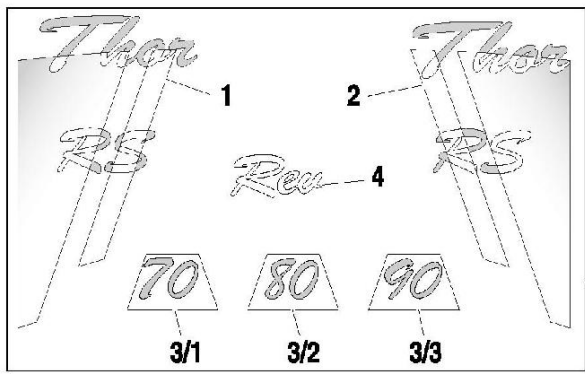
Pos.	Code	Q.ty	Description	Notes
35	56171954	0	SPACER	
36	55175174	0	BLOCK	
37	31112152	0	SCREW TE M8X30 UNI 5739 8G	
38	31111151	0	SCREW TE M8X16 UNI 5739 8G	
39	59070592	0	LEVER BEARING	
40	31112208	0	SCREW TE M10X16 UNI 5739	
41	31411105	0	WASHER 10,5x21	
42	31212100	0	NUT M10	
43	56174582	0	WING HOLDER	
44	31112146	0	SCREW TE M8X22 UNI 5739 8G	
45	59071091	0	SAFETY ROLL BAR	
46	59071966	0	CONNECTION	
47	F0843878000	0	SPACER D.30x12,5/6	
48	31112264	0	SCREW TE M12X35 UNI 5739	
49	31112265	0	SCREW TE M12X40 UNI 5739	
50	F0843843060	0	WASHER 12	



TARGHE E ADESIVI
 PLATES AND STICKERS
 PLAQUETTES ET ADHÉSIFS
 SCHILDER U. AUFKLEBER
 TARJETAS Y ADHESIVOS

Validità		
70	80	90
RS-M	RS-R	

Tavola	Rev.	Data
B.07.01	0	05/2003



**SOLLEVATORE ALZA-ABASSA
 RAISE-LOWER LIFT
 RELEVAGE RELEVÉE-ABAISSÉE
 HEBEN-SENKEN KRAFTHEBER
 ELEVADOR ELEVAR-BAJAR**

**SOLO CON VARIANTE SOSPENSIONE IDRAULICA
 WITH HYDRAULIC SUSPENSION VARIANT ONLY
 SEULEMENT AVEC VARIANTE SUSPENSION HYDR.
 NUR MIT HYDRAULISCHER AUFHÄNGUNG VARIANTE
 SÓLO CON VARIANTE SUSPENSIÓN HIDRÁLICA**

**SOLLEV. POSIZ. / SFORZO CONTROLLATI
 POSITION AND DRAFT CONTROL LIFT
 RELEV. CONTRÔLE POSITION / EFFORT
 ZUFKRAFT U. LAGEREGLUNG KRAFTHEBER
 ELEV. POSICIÓN / ESFUERZO CONTROLADOS**

Pos.	Code	Q.ty	Description	Notes
1	58074794	0	DECAL	
2	58074795	0	DECAL	
3/1	58074790	0	DECAL	
3/2	58074789	0	DECAL	
3/3	58074788	0	DECAL	
4	58074791	0	DECAL	
5	58074786	0	DECAL	
6	58074787	0	DECAL	
7	58074837	0	DECAL	
8	58074841	0	DECAL	
9	58073643	0	PLATE	
10	58074777	0	DECAL	
11	58074880	0	PLATE	
12	58074221	0	DECAL	
13	58074220	0	DECAL	
14	58074222	0	DECAL	
15	58074839	0	DECAL	
16	58074846	0	DECAL	
17	58075022	0	PLATE	
18	58075024	0	PLATE	
19	58075521	0	DECAL	
20	58075522	0	DECAL	
21	58075152	0	DECAL	
22	58075250	0	DECAL	
23	58075021	0	DECAL	
24	58074848	0	PLATE	
25	58072575	0	PLATE	
26	58074875	0	PLATE	
27	F0854067050	0	PLATE	
28	58072737	0	PLATE	
29	F0808518050	0	RIVET 3,5x6,5	
30	58072509	0	INSTRUCTION PLATE	
31	58072517	0	INSTRUCTION PLATE	
32	58072511	0	INSTRUCTION PLATE	

SERIAL

PLATES AND STICKERS
 Power: 70 CV, 80 CV, 90 CV

CODE REV

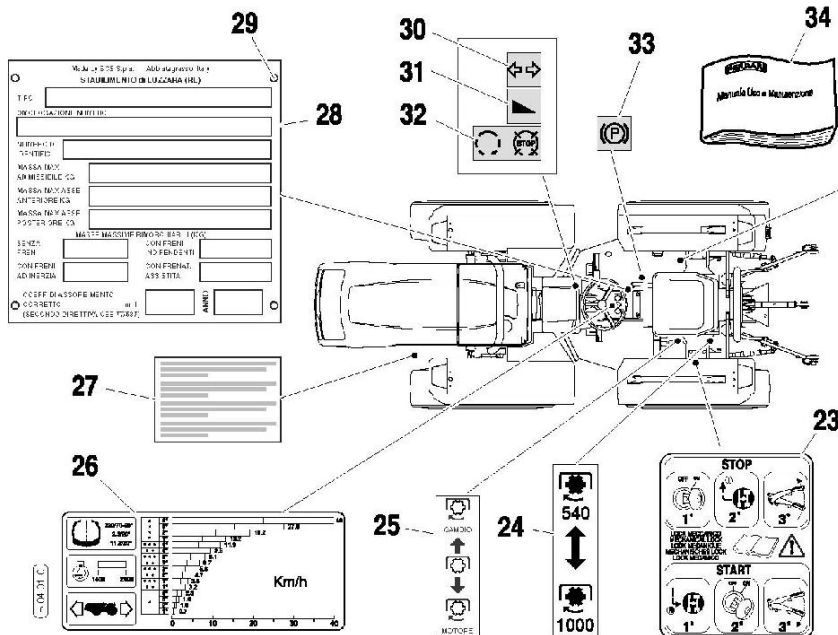
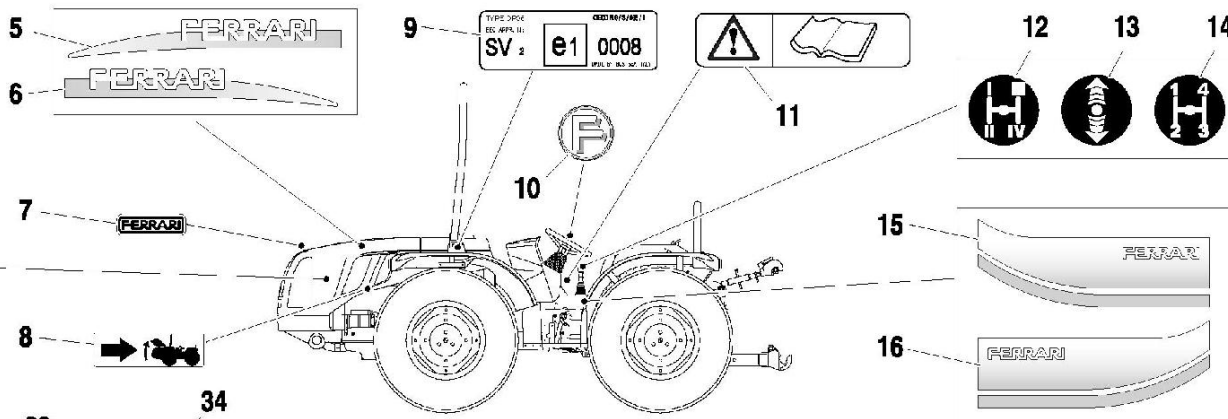
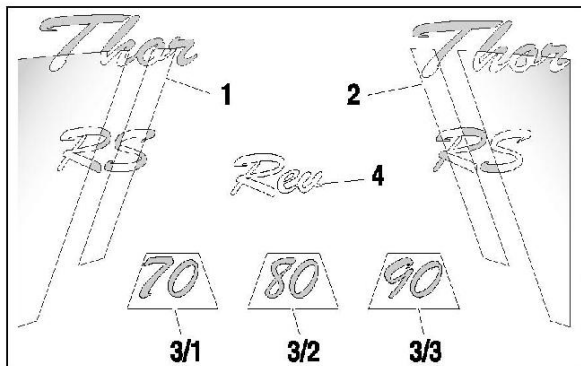
B0701_0_15610



TARGHE E ADESIVI
PLATES AND STICKERS
PLAQUETTES ET ADHÉSIFS
SCHILDER U. AUFKLEBER
TARJETAS Y ADHESIVOS

Validità		
70	80	90
RS-M	RS-R	

Tavola	Rev.	Data
B.07.01	0	05/2003

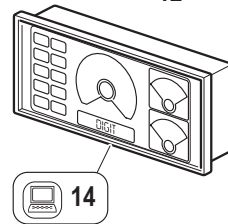
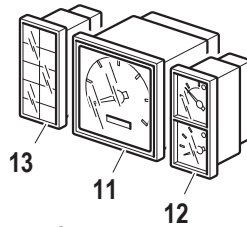
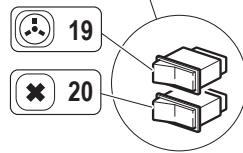
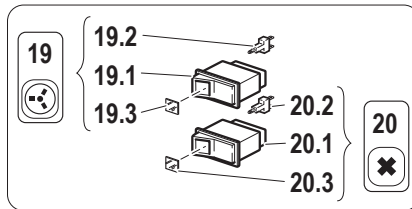
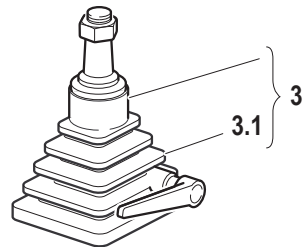
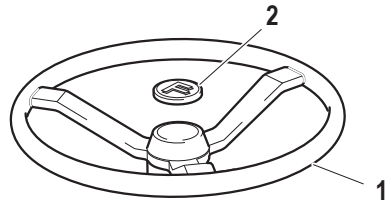



**SOLLEVATORE ALZA-ABASSA
RAISE-LOWER LIFT
RELEVAGE RELEVÉE-ABAISSÉE
HEBEN-SENKEN KRAFTHEBER
ELEVADOR ELEVAR-BAJAR**


**SOLO CON VARIANTE SOSPENSIONE IDRAULICA
WITH HYDRAULIC SUSPENSION VARIANT ONLY
SEULEMENT AVEC VARIANTE SUSPENSION HYDR.
NUR MIT HYDRAULISCHER AUFHÄNGUNG VARIANTE
SÓLO CON VARIANTE SUSPENSIÓN HIDRÁULICA**

**SOLLEV. POSIZ./ SFORZO CONTROLLATI
POSITION AND DRAFT CONTROL LIFT
RELEV. CONTRÔLE POSITION / EFFORT
ZUFKRAFT U. LAGEREGLUNG KRAFTHEBER
ELEV. POSICIÓN / ESFUERZO CONTROLADOS**

Pos.	Code	Q.ty	Description	Notes
33	58072510	0	INSTRUCTION PLATE	
34	F0907170120	0	LIBRETTO U/M 70-90 BLU VITH.F*	

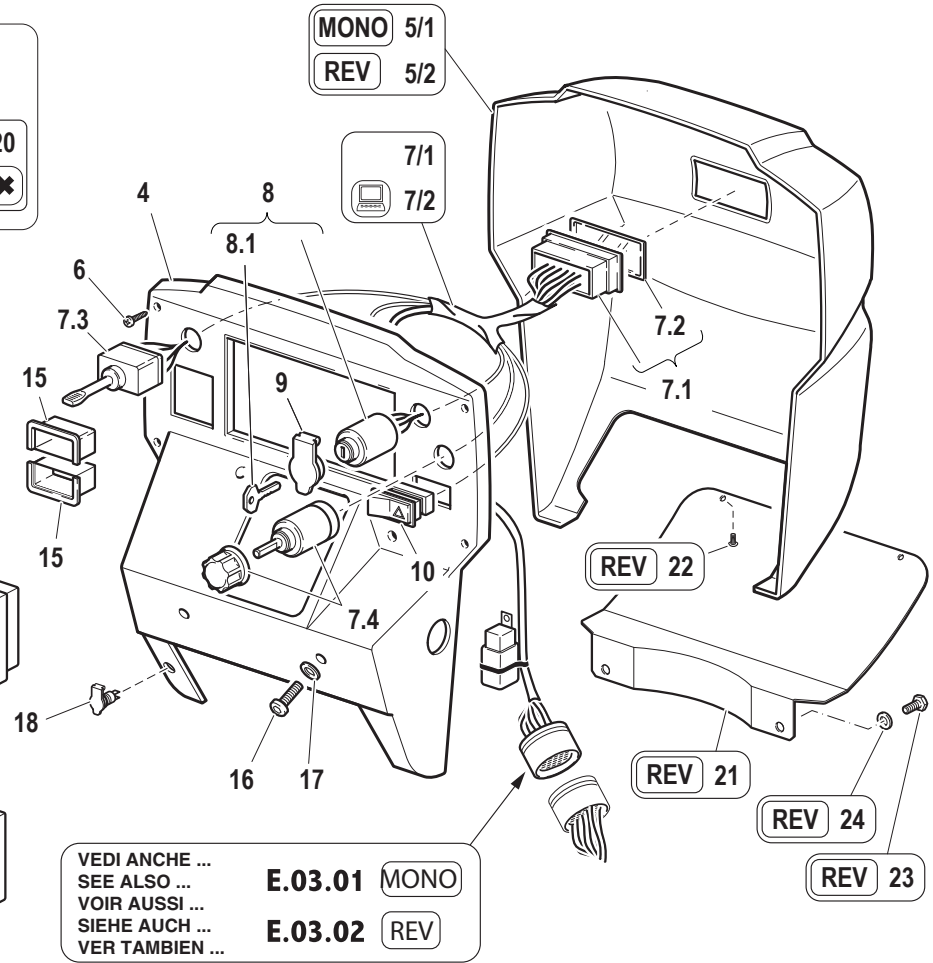


 **PRESA DI FORZA CON FRIZIONE INDIPENDENTE**
POWER TAKE-OFF WITH INDEPENDENT CLUTCH
PRISE DE FORCE AVEC EMBRAYAGE INDEPEND.
ZAPFWELLE MIT UNABHÄNGIGER KUPPLUNG
TOMA DE FUERZA CON EMBRAGUE INDEPEND.


 **DIFFERENZIALE CON BLOCCAGGIO ELETTROIDRAUL.**
DIFFERENTIAL WITH ELECTROHYDRAULIC LOCKING
DIFFERENTIEL AVEC BLOCAGE ÉLECTROHYDR.
DIFFERENTIAL MIT ELEKTROHYDR. SPERRE
DIFERENCIAL CON BLOQUEO ELECTROHIDRÁULICO


 **QUADRO STRUMENTAZIONE DIGITALE**
DIGITAL INSTRUMENT DISPLAY
TABLEAU DE L'INSTRUMENTATION DIGITALE
DIGITALES GERÄT TAFEL
CUADRANTE DE LA INSTRUMENTACIÓN DIGITAL

0.08.01.2



VEDI ANCHE ...
SEE ALSO ...
VOIR AUSSI ...
SIEHE AUCH ...
VER TAMBIEN ...

E.03.01  **MONO**

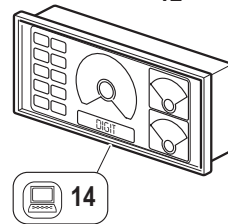
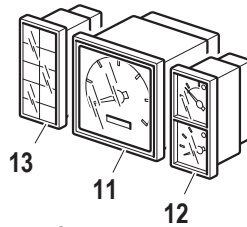
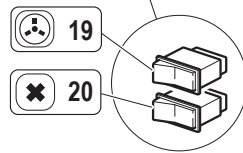
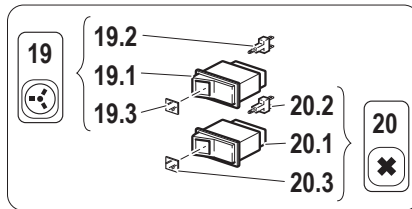
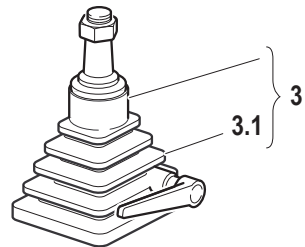
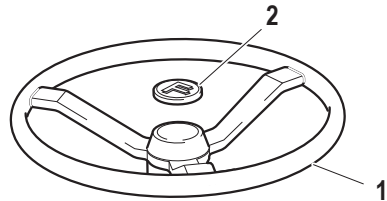
E.03.02  **REV**


Pos.	Code	Q.ty	Description	Notes
1	F0865040000	1	STEERING WHEEL	
2	59900354	1	PLUG	
3	F0865474000	1	UNIT	
3.1	F0865474005	1	BELLOWS	
4	55274441	1	INSTRUMENT PANEL	
5/1	55271852	1	INSTRUMENT PANEL	
5/2	55271644	1	INSTRUMENT PANEL	
6	31510053	1	RIBBED SCREW TC 4,8X32	
7/1	58075776	1	CABLE	
7.1	58170453	1	FUSE BOX	
7.2	58172267	1	COVER	
7/2	58075384	1	CABLE	
7.3	F0825436000	1	SWITCH	
7.4	F0825436003	1	SWITCH	
8	30000614	1	PANEL	
8.1	F0825500220	1	KEY	
9	F0825400060	1	COVER	
10	F0825115010	1	PUSH-BUTTON	
11	58176229	1	TRACTOR METER	
12	58175769	1	DIGITAL INSTRUMENT	
13	58175770	1	WARNING LIGHT HOLDER	
14	58174928	1	INSTRUMENT	
15	58170376	1	TERMINAL FOR SWITCH	
16	F0862479020	1	SCREW M8X16 7380	
17	31411084	1	WASHER 8,4x17	
18	F0825403050	1	SOCKET	
19	58170344	1	CHANGE-OVER SWITCH	
19.1	58173116	1	CHANGE-OVER SWITCH	
19.2	58173119	1	LAMP	
19.3	58173120	1	GLASS	
20	58170345	1	CHANGE-OVER SWITCH	
20.1	58173116	1	CHANGE-OVER SWITCH	
20.2	58173119	1	LAMP	
20.3	58173121	1	GLASS	


SERIAL
START
903605

DASHBOARD
Power: 70 CV, 80 CV, 90 CV

CODE REV
B0801_2_69139

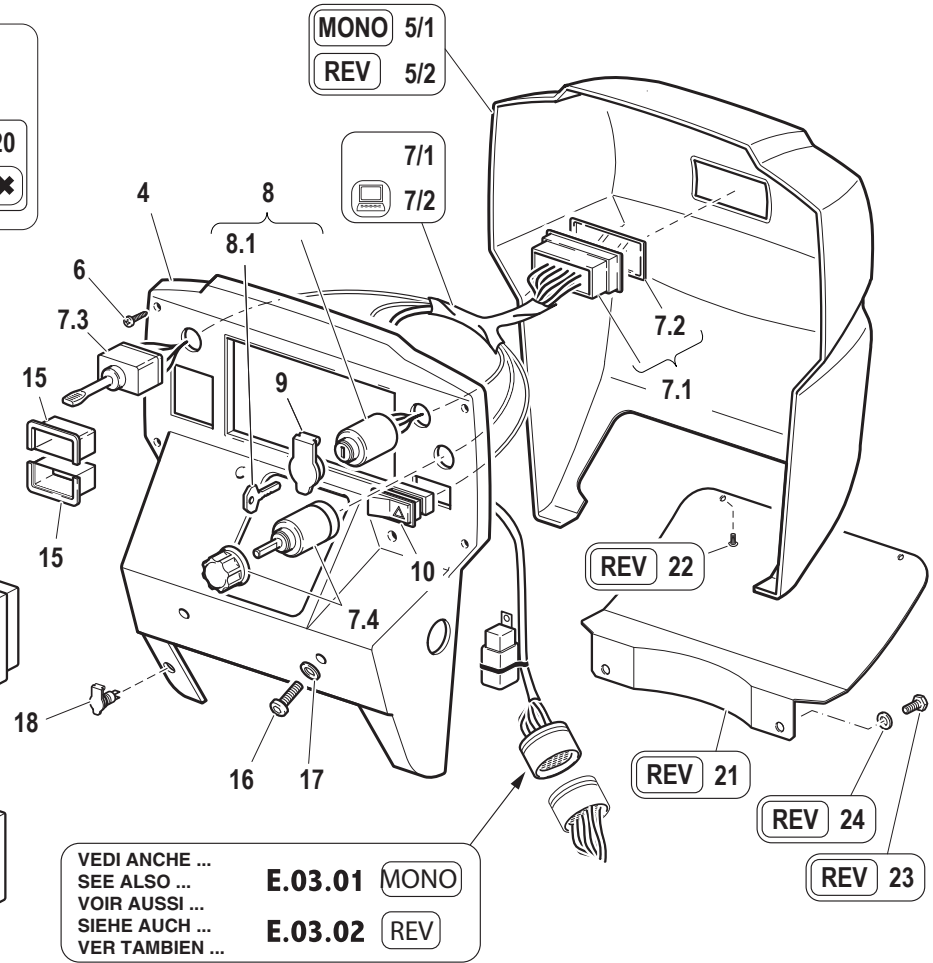


 **PRESA DI FORZA CON FRIZIONE INDIPENDENTE**
POWER TAKE-OFF WITH INDEPENDENT CLUTCH
PRISE DE FORCE AVEC EMBRAYAGE INDEPEND.
ZAPFWELLE MIT UNABHÄNGIGER KUPPLUNG
TOMA DE FUERZA CON EMBRAGUE INDEPEND.

 **DIFFERENZIALE CON BLOCCAGGIO ELETTROIDRAUL.**
DIFFERENTIAL WITH ELECTROHYDRAULIC LOCKING
DIFFERENTIEL AVEC BLOCAGE ÉLECTROHYDR.
DIFFERENTIAL MIT ELEKTROHYDR. SPERRE
DIFERENCIAL CON BLOQUEO ELECTROHIDRÁULICO

 **QUADRO STRUMENTAZIONE DIGITALE**
DIGITAL INSTRUMENT DISPLAY
TABLEAU DE L'INSTRUMENTATION DIGITALE
DIGITALES GERÄT TAFEL
CUADRANTE DE LA INSTRUMENTACIÓN DIGITAL

0.08.01.2



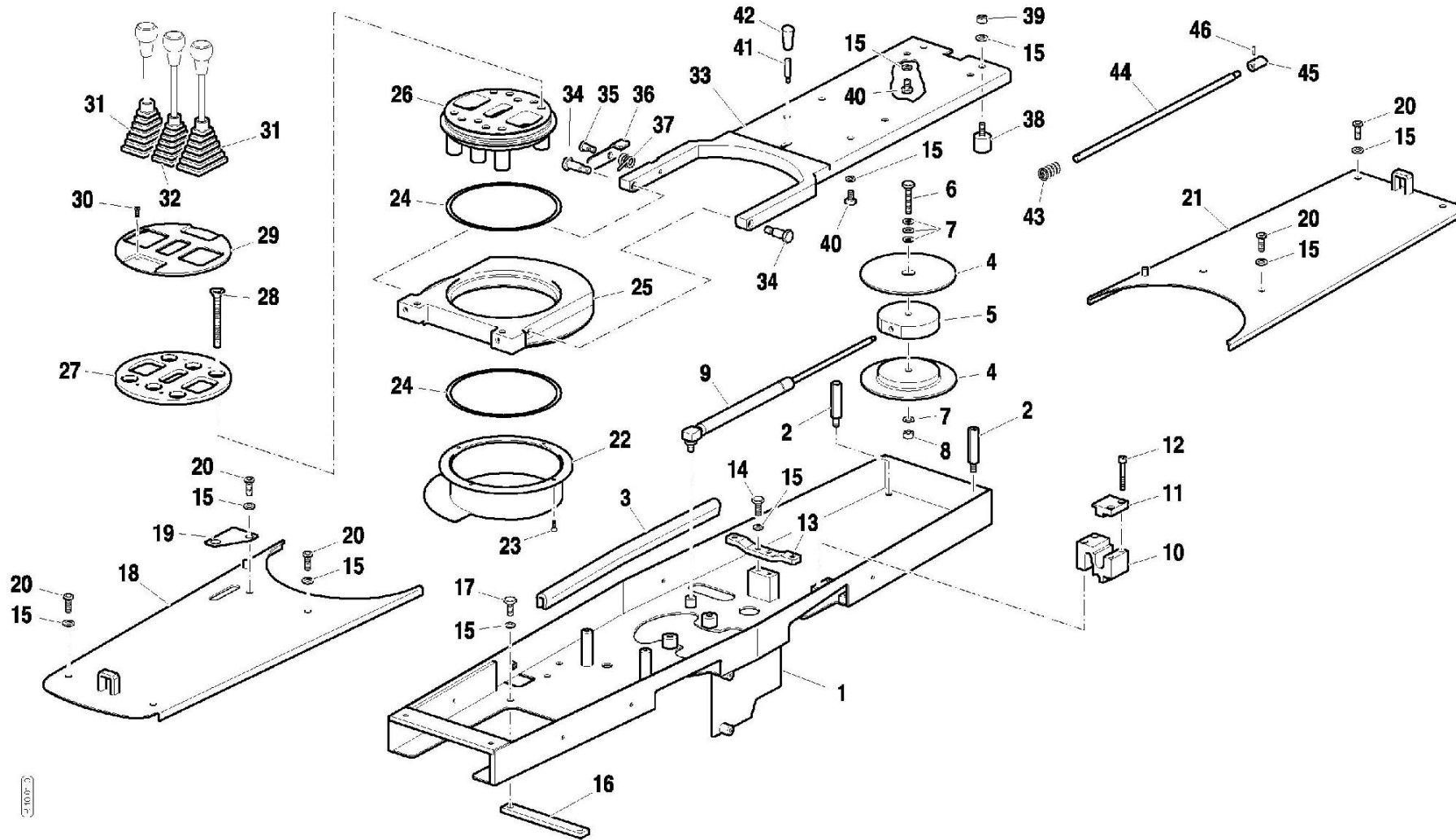
Pos.	Code	Q.ty	Description	Notes
21	57374553	1	COVER	
22	F0861867001	1	SCREW M4,2X16 DIN 7981	
23	31112149	1	SCREW TE M8X12 UNI 5739 8G	
24	31411084	1	WASHER 8,4x17	



SUPPORTO SEDILE / COPERTURA LEVE CAMBIO
 SEAT SUPPORT / GEAR LEVERS COVER
 SIEGE SUPPORT / COUVERTURE LEVIERS VITESSE
 SITZLAGER / GETRIEBEBEBELNDECKEL
 SOPORTE ASIENTO / COBERTURA PALANCAS CAMBIO

Validità		
70	80	90
R&R	MT	

Tavola	Rev.	Data
B.10.01	0	05/2003



2100

Pos.	Code	Q.ty	Description	Notes
1	59074468	0	BOX	
2	56174492	0	PIN	
3	57374686	0	GASKET	
4	57374490	0	PULLEY	
5	57374491	0	PULLEY	
6	F0862875000	0	SCREW M8X1,25/45 UNI5739	
7	31411084	0	WASHER 8,4x17	
8	F0814585000	0	SELFLOCK NUT M8	
9	58174555	0	SPRING	
10	56174464	0	SMALL BLOCK	
11	56174773	0	COVER	
12	31152066	0	SCREW TCEI M6X45 UNI 5931	
13	56174486	0	RETAINER	
14	31112146	0	SCREW TE M8X22 UNI 5739 8G	
15	F0843643060	0	WASHER 8	
16	56174730	0	PLATE	
17	31112151	0	SCREW TE M8X25 UNI 5739 8G	
18	59074531	0	FRONT COVER	
19	56174499	0	COVER	
20	F0862479020	0	SCREW M8X16 7380	
21	59074477	0	COVER	
22	59074403	0	FLANGE	
23	31132440	0	SCREW TSVEI M4X10 UNI 5933	
24	57374545	0	GASKET	
25	51175212	0	TURRET	
26	51274388	0	SUPPORT	
27	51274498	0	FLANGE	
28	F0863586000	0	SCREW M10X80 DIN 7991	
29	57374501	0	COVER	
30	F0861928050	0	SCREW M5X12 ISO 7380	
31	55174163	0	BELLOWS	
32	55174162	0	BELLOWS	
33	59074525	0	SEAT SUPPORT	
34	56274487	0	SPECIAL SCREW	

SERIAL

SEAT SUPPORT / GEAR LEVERS COVER

Power: 70 CV, 80 CV, 90 CV

CODE REV

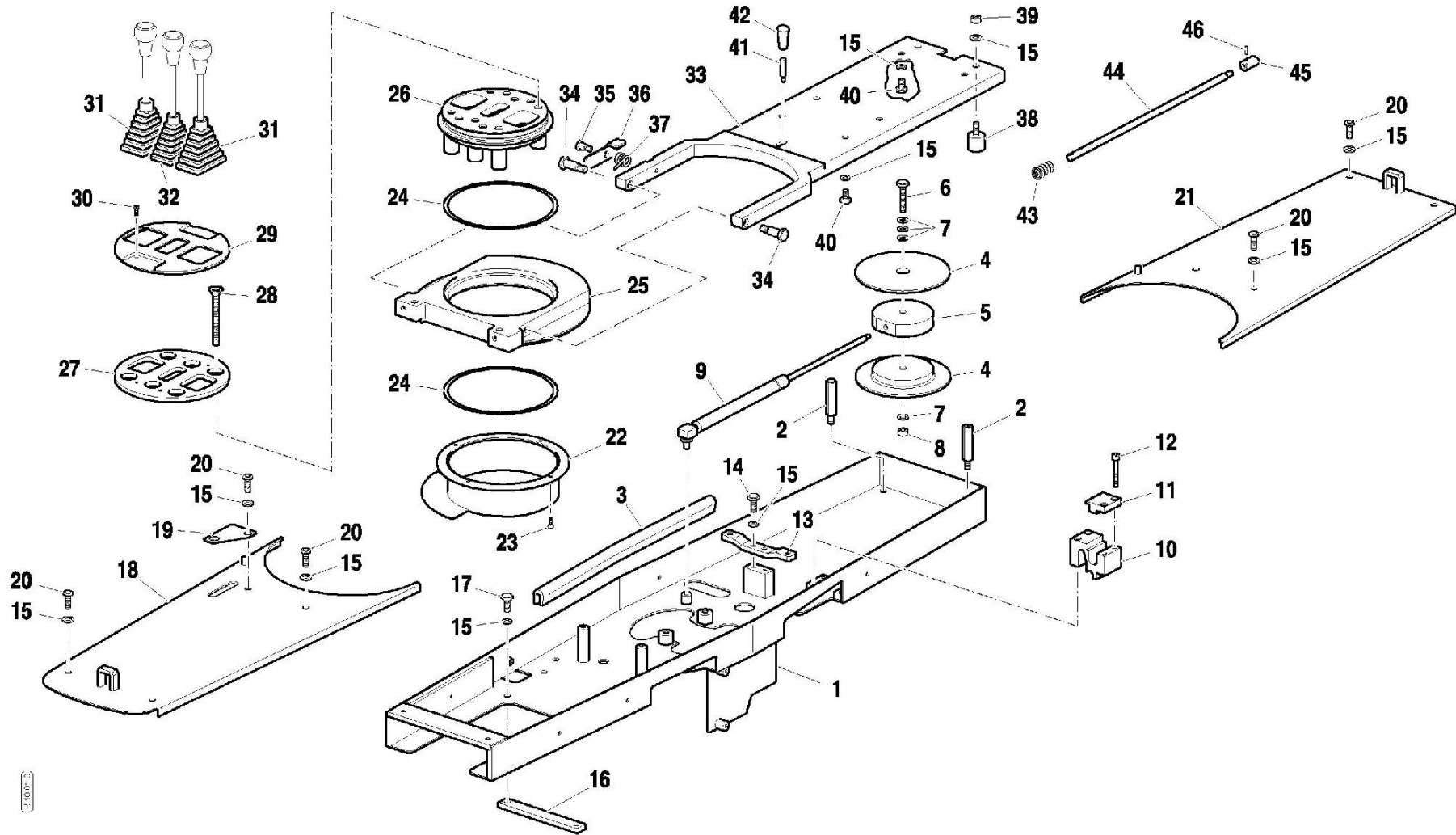
B1001_0_15773



SUPPORTO SEDILE / COPERTURA LEVE CAMBIO
 SEAT SUPPORT / GEAR LEVERS COVER
 SIEGE SUPPORT / COUVERTURE LEVIERS VITESSE
 SITZLAGER / GETRIEBEBEBELNDECKEL
 SOPORTE ASIENTO / COBERTURA PALANCAS CAMBIO

Validità		
70	80	90
R&R	MT	

Tavola	Rev.	Data
B.10.01	0	05/2003



2100

Pos.	Code	Q.ty	Description	Notes
35	56375436	0	HINGE PIN	
36	56174462	0	RETAINING PLATE	
37	58074488	0	SPRING	
38	58174644	0	SILENT-BLOCK	
39	F0814574000	0	NUT M8	
40	31111151	0	SCREW TE M8X16 UNI 5739 8G	
41	56174461	0	PIN	
42	F0837521000	0	GRIP	
43	58070390	0	SEAT SPRINGS	
44	56174463	0	ROD	
45	56374460	0	LOCKING BOLT	
46	34213018	0	ROLL PIN	

FERRARI*Thor*

SEDILE (MODELLO STANDARD)
 SEAT (STANDARD)
 SIEGE (SERIE)
 SITZ (SERIEN)
 ASIENTO (SERIE)

Validità

70		80		90	
RS-M	RS-R	MT	AR-M	AR-R	

Tavola

B.12.01

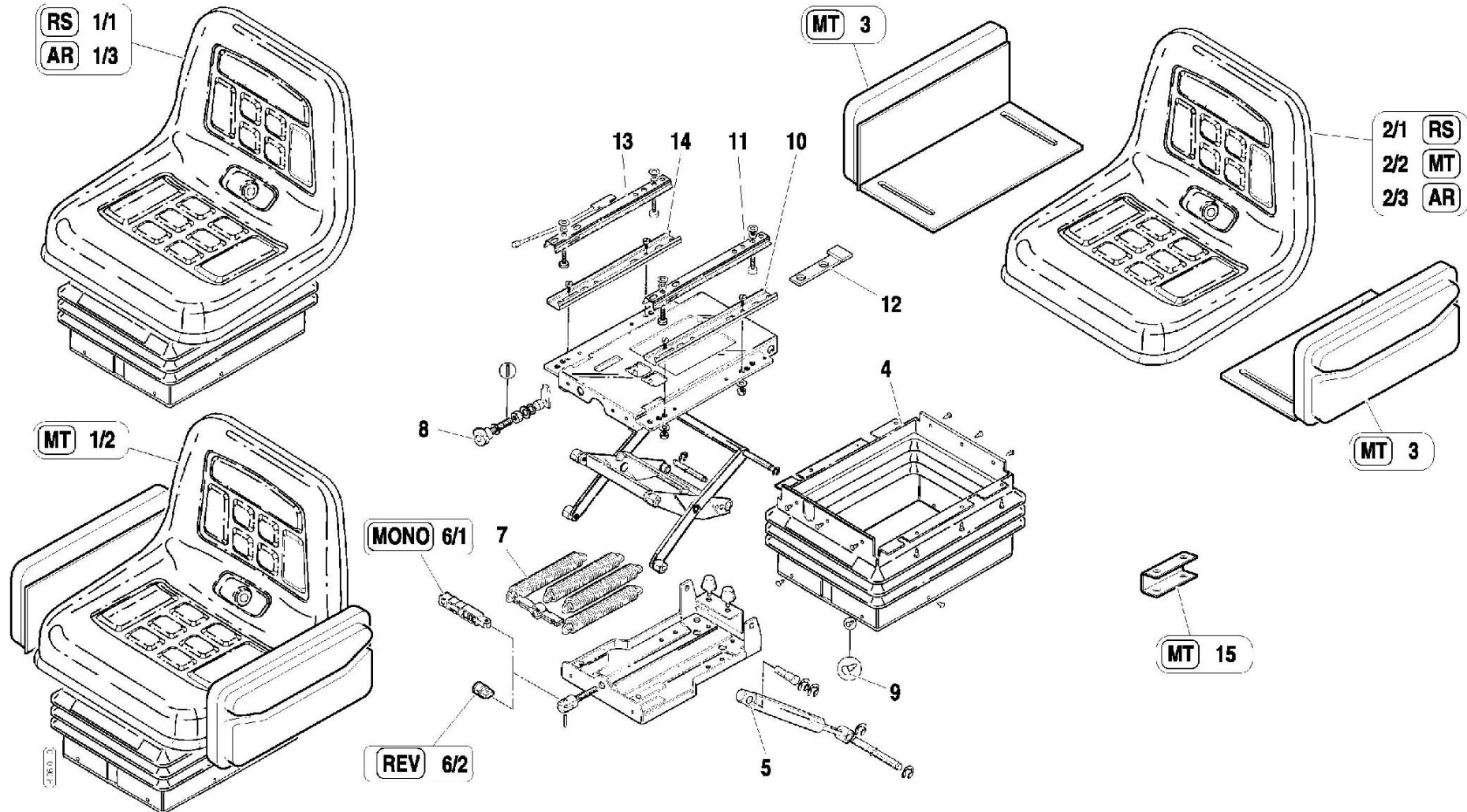
Rev.

0

Data

05/2003

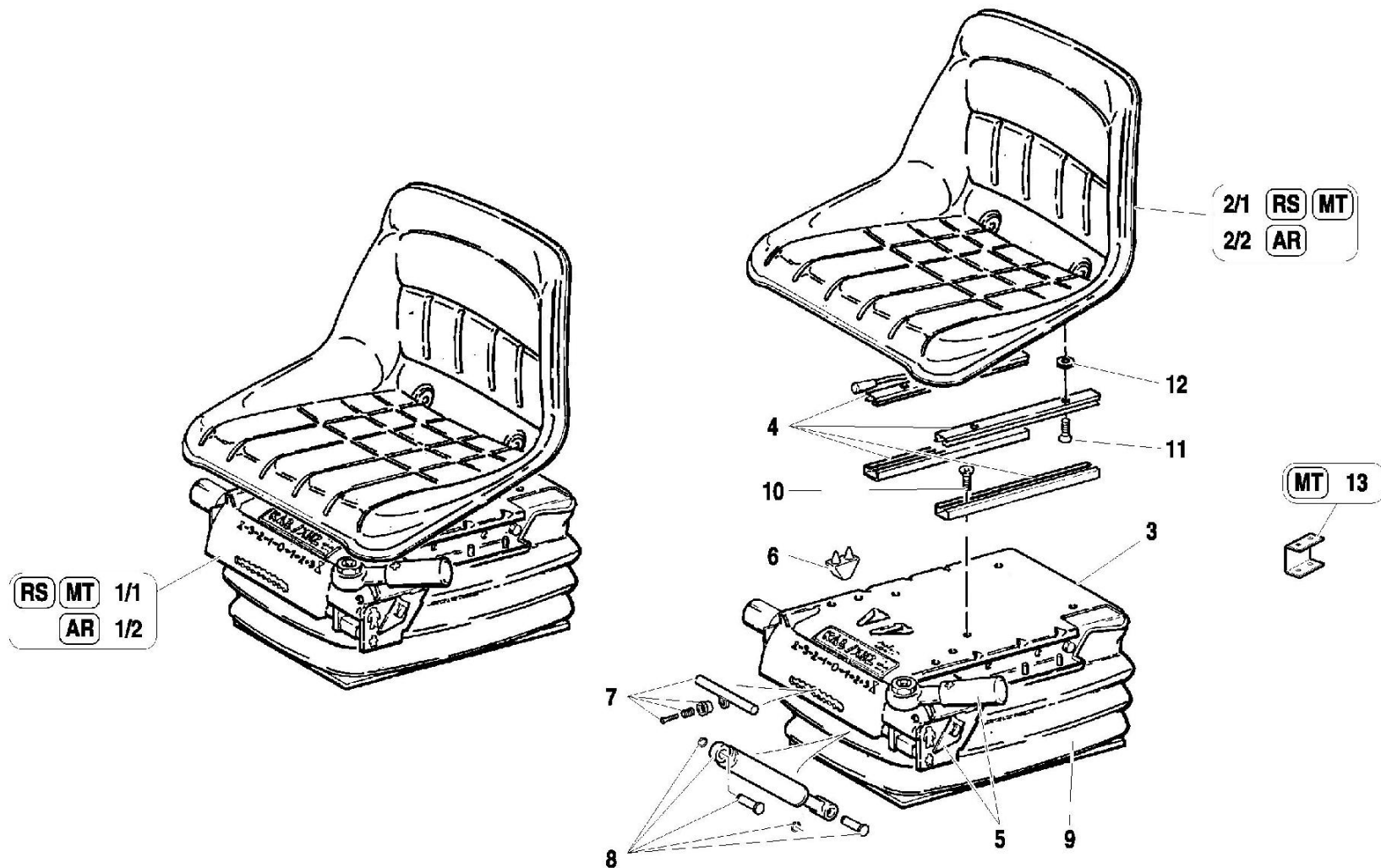
1/1



Pos.	Code	Q.ty	Description	Notes
1/1	F0190032529	0	SEAT	
1/2	58170959	0	SEAT	
1/3	58170995	0	SEAT	
2/1	59900151	0	SEAT CAVITY	
2/2	59900182	0	SEAT CAVITY	
2/3	59900162	0	SEAT CAVITY	
3	58171239	0	SIDE PANEL	
4	59900159	0	BELLOWS	
5	59900156	0	SHOCKS ABSORBER	
6/1	59900155	0	LEVER	
6/2	56172172	0	SMALL BLOCK	
7	59900154	0	SPRING	
8	59900153	0	KNOB	
9	59900158	0	SCREW	
10	59900157	0	LOWER GUIDE	
11	59900160	0	GUIDE	
12	59071241	0	STOP PLATE	
13	59900161	0	GUIDE	
14	59900152	0	LOWER GUIDE	
15	56175206	0	BRACKET	

Validità				
70	80	90		
RS-M	RS-R	MT	AR-M	AR-R

Tavola	Rev.	Data
B.12.02	0	05/2003



Pos.	Code	Q.ty	Description	Notes
1/1	59900200	0	SEAT	
1/2	59900199	0	SEAT	
2/1	F0150036215	0	SEAT CAVITY	
2/2	F0150036216	0	SEAT CAVITY	
3	F0150036219	0	SPRING	
4	58173437	0	SEAT GUIDE	
5	59900183	0	CONTROL	
6	59900184	0	SPRINGS LIMITER	
7	59900185	0	CONTROL	
8	59900186	0	SHOCKS ABSORBER	
9	59900187	0	BELLOWS	
10	31111151	0	SCREW TE M8X16 UNI 5739 8G	
11	F0862495010	0	SCREW M8X16 UNI 5931	
12	F0843696000	0	WASHER D.24x8/6	
13	56171223	0	BRACKET	

SERIAL

SEAT (KAB)

Power: 70 CV, 80 CV, 90 CV

CODE REV

B1202_0_15889

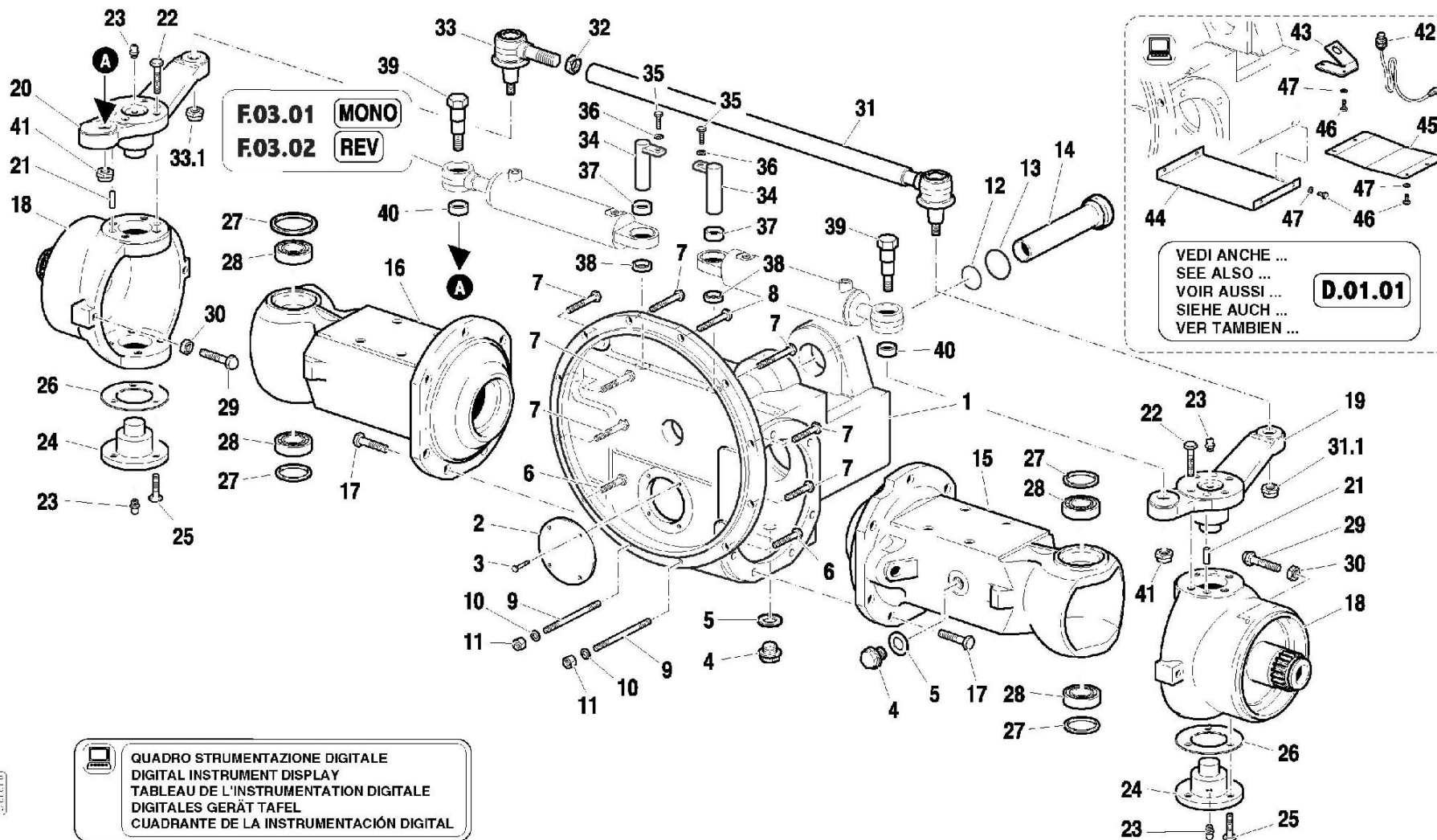


PONTE ANTERIORE
 FRONT AXLE
 PONT AVANT
 VORDERACHSE
 PUENTE DELANTERO

Validità		
70	80	90
RS-M	RS-R	MT

Tavola	Rev.	Data
C.01.01	0	05/2003

1/2



Pos.	Code	Q.ty	Description	Notes
1	51174448	0	FRONT AXLE HOUSING	
2	51174467	0	FRONT COVER	
3	31112090	0	SCREW TE M6X16 UNI 5739 8G	
4	56370081	0	PLUG	
5	F0844273090	0	GASKET 22X28X1,5 CU 99,5	
6	31112211	0	SCREW TE M10X30 UNI 5739	
7	31112212	0	SCREW TE M10X35 UNI 5739	
8	31112213	0	SCREW TE M10X40 UNI 5739	
9	F0838475000	0	STUD BOLT M10X90 UNI 5911 8.8	
10	F0814632000	0	NUT M10	
11	F0843755000	0	WASHER 10	
12	F0803209000	0	O-RING 3156	
13	F0803209070	0	O-RING 3187	
14	59070012	0	PIPE	
15	51270103	0	FRONT AXLE HOUSING	
16	51270096	0	FRONT AXLE HOUSING	
17	F0864222010	0	SCREW M14X1,5/40 5738	
18	51270090	0	JOINT	
19	52374704	0	STEERING TRACK LEVER	
20	52374703	0	RIGHT ARM	
21	56370228	0	CYLINDRICAL PLUG	
22	F0863358050	0	SCREW M10X40 5737	
23	F0826038000	0	LUBRICATOR M8x1,25 UNI 7663A	
24	52370083	0	JOINT PIN	
25	F0863267050	0	SCREW M10x25	
26	56170082	0	SHIM	
26	56170221	0	SHIM	
26	56170222	0	SHIM	
26	56170223	0	SHIM	
26	56173353	0	SHIM	
27	58170077	0	GASKET	
28	F0812747000	0	BEARING 32006X (30x55x17)	
29	56370217	0	ADJUSTING SCREW	
30	F0814632000	0	NUT M10	

SERIAL

FRONT AXLE
Power: 70 CV, 80 CV, 90 CV

CODE REV

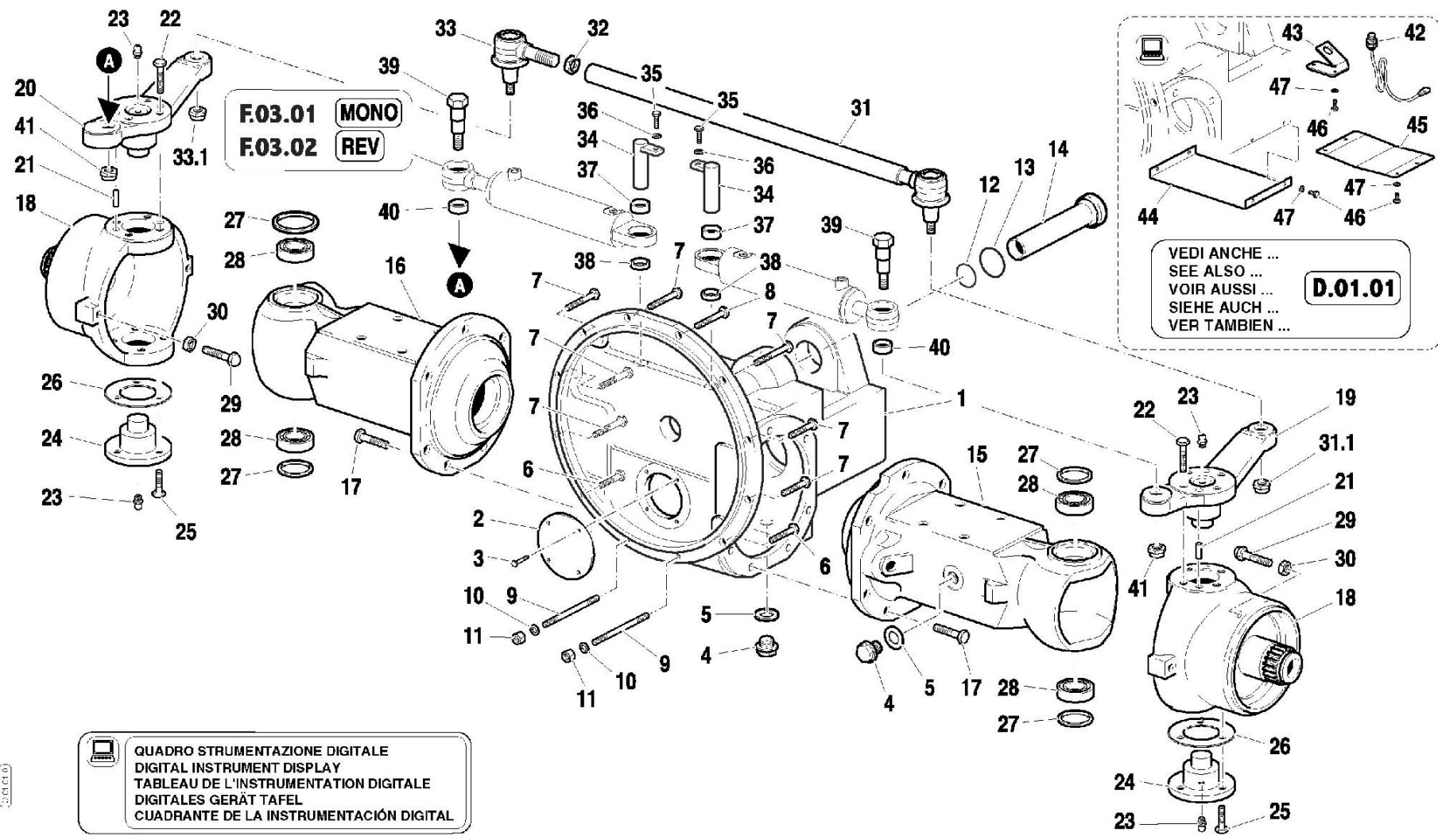
C0101_0_15905



PONTE ANTERIORE
 FRONT AXLE
 PONT AVANT
 VORDERACHSE
 PUENTE DELANTERO

Validità		
70	80	90
RS-M	RS-R	MT

Tavola	Rev.	Data
C.01.01	0	05/2003



Pos.	Code	Q.ty	Description	Notes
31	59070225	0	ROD	
31.1	F0814797000	0	SELFLOCK NUT M16X1,5	
32	56370486	0	SPECIAL NUT M20X1 CH32 6S	
33	58170069	0	BALL JOINT END	
33.1	F0814797000	0	SELFLOCK NUT M16X1,5	
34	59071171	0	HINGE PIN	
35	31111151	0	SCREW TE M8X16 UNI 5739 8G	
36	F0843643060	0	WASHER 8	
37	56170226	0	SPACER	
38	56171172	0	SPACER	
39	56374711	0	HINGE PIN	
40	56074712	0	SPACER	
41	31241142	0	SELFLOCK NUT M14x1,5	
42	58175209	0	SENSOR	
43	56174919	0	BRACKET	
44	56174920	0	SHEET	
45	56172538	0	LAMINATION	
46	31112082	0	SCREW TE M6X12 UNI 5739 8G	
47	F0843570000	0	WASHER 6	

SERIAL

FRONT AXLE
Power: 70 CV, 80 CV, 90 CV

CODE REV

C0101_0_15905

FERRARI*Thor*

CORPO CENTRALE
 CENTRAL SECTION
 CORPS CENTRAL
 ZENTRALGEHÄUSE
 CUERPO CENTRAL

Validità

70	80	90
RS-M	RS-R	MT

Tavola

C.02.01

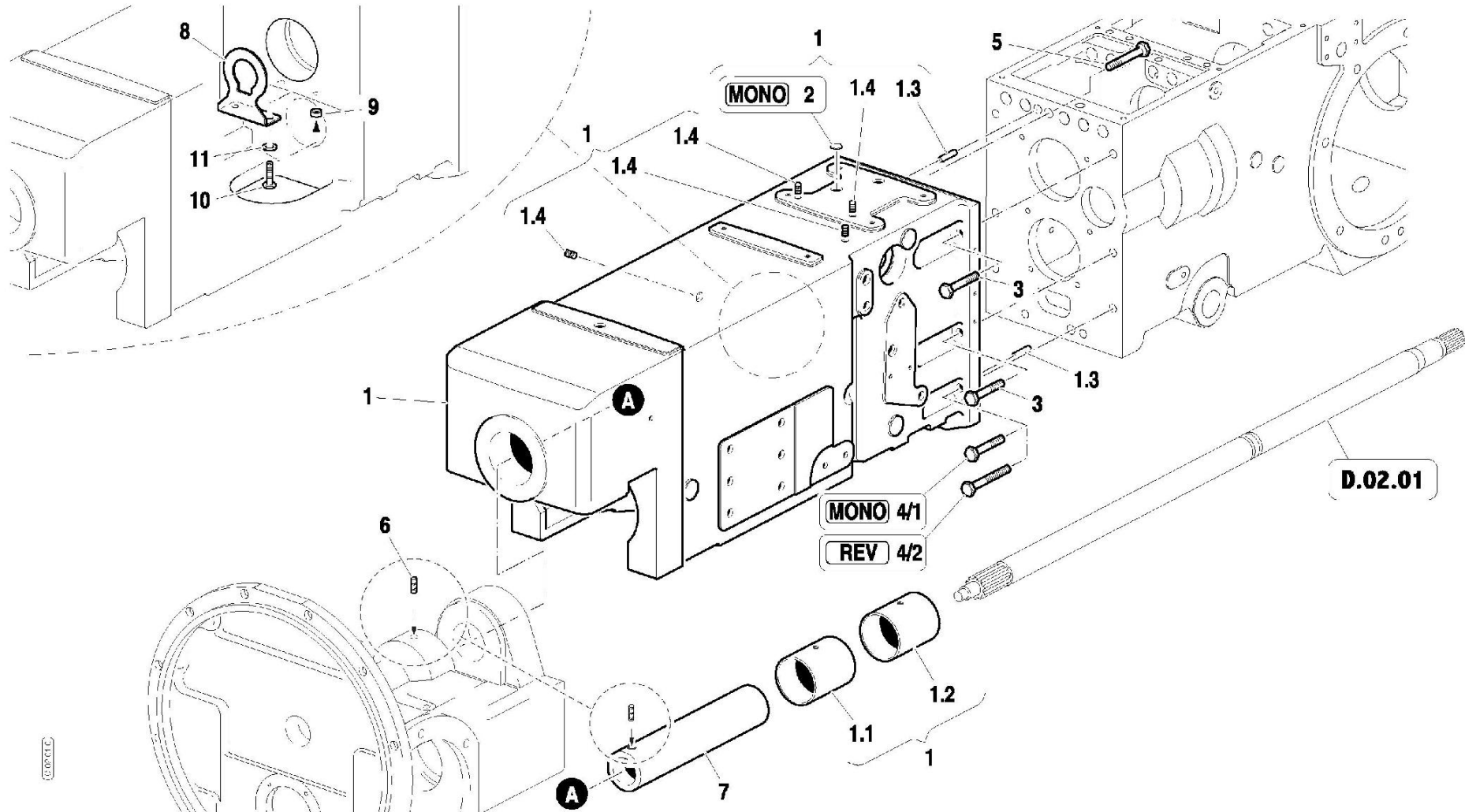
Rev.

0

Data

05/2003

1/1



Pos.	Code	Q.ty	Description	Notes
1	59276001	0	CLUTCH HOUSING	
1.1	56274890	0	BUSHING	
1.2	56274889	0	BUSHING	
1.3	56570016	0	CYLINDRICAL PLUG	
1.4	58070743	0	PLUG	
2	F0852540050	0	PLUG	
3	F0863925000	0	SCREW M12X40 UNI 5737	
4/1	F0863925000	0	SCREW M12X40 UNI 5737	
4/2	F0863997010	0	SCREW M12X50 UNI 5737	
5	F0863951000	0	SCREW M12X45 UNI 5737	
6	58170013	0	SCREW	
7	56474013	0	PIN	
8	59075813	0	BRACKET	
9	56170364	0	SPACER	
10	31112146	0	SCREW TE M8X22 UNI 5739 8G	
11	F0843643060	0	WASHER 8	

Pos.	Code	Q.ty	Description	Notes
1	51173821	0	GEAR BOX	
2	51173650	0	FRONT COVER	
3	31112151	0	SCREW TE M8X25 UNI 5739 8G	
4	58170021	0	PLUG	
5	F0844273090	0	GASKET 22X28X1,5 CU 99,5	
6	51170020	0	BRAKE HOUSING	
7	31313300	0	STUD BOLT M14X1,5X105	
8	31313320	0	STUD BOLT M14X1,5X120	
9	F0814750010	0	NUT M14X1,5	
10	51173804	0	REDUCTION BOX	
11	51173803	0	BOX	
12	56373800	0	SUPPORT	
13	F0863890010	0	SCREW M12x1,75x35	

SERIAL

REAR AXLE

Power: 70 CV, 80 CV, 90 CV

CODE REV

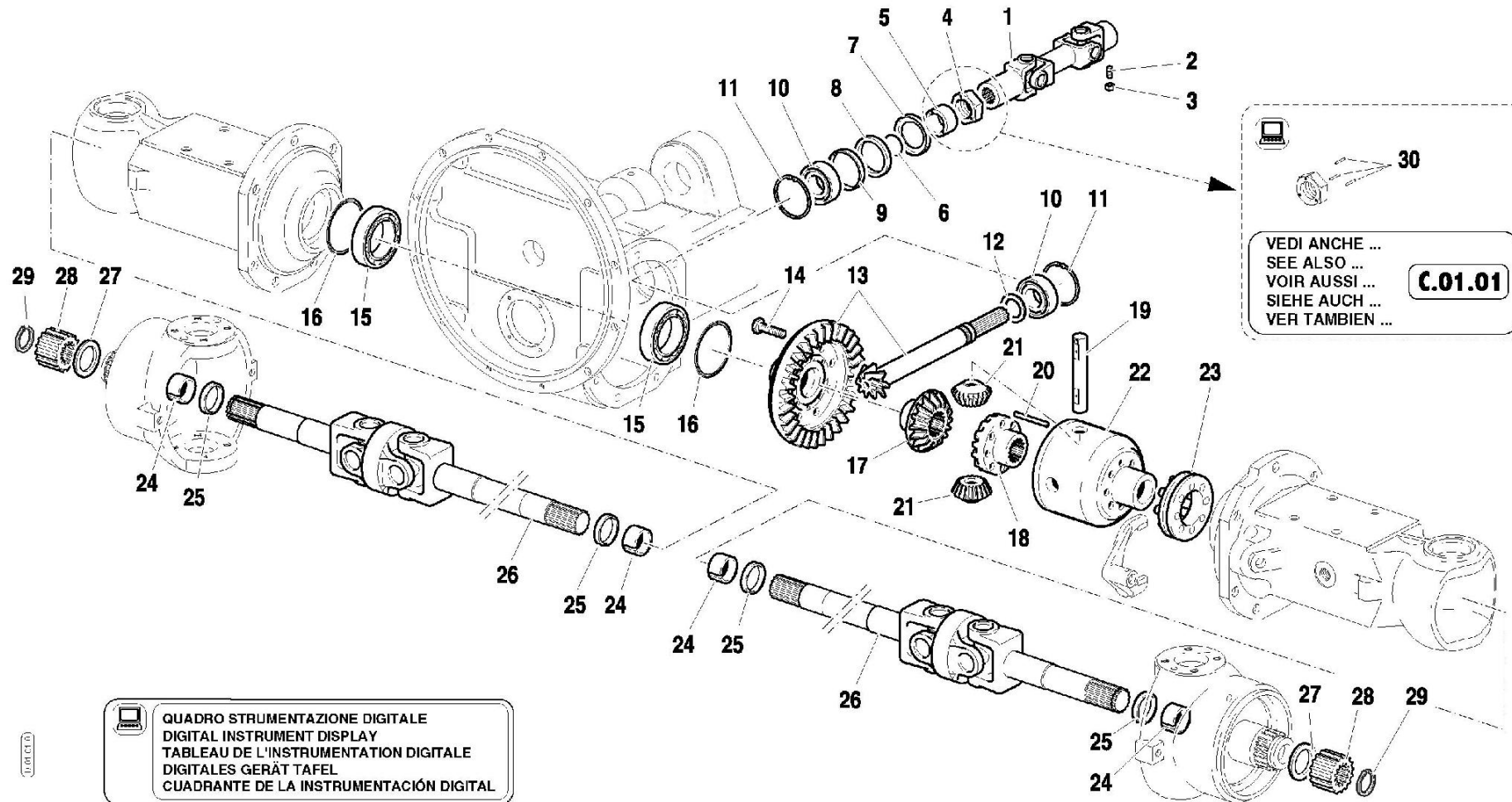
C0301_0_16044



TRASMISSIONE ANTERIORE
 FRONT TRANSMISSION
 TRANSMISSION AVANT
 VORDERANTRIEB
 TRANSMISION DELANTERA

Validità		
70	80	90
RS-M	RS-R	MT

Tavola	Rev.	Data
D.01.01	0	05/2003



Pos.	Code	Q.ty	Description	Notes
1	58174552	0	JOINT	
2	F0862593050	0	SCREW M8X20 UNI 5927	
3	F0814574000	0	NUT M8	
4	56372536	0	RING NUT	
5	56470215	0	SPACER	
6	F0803078100	0	O-RING 2125	
7	56170214	0	PROTECTIVE RING D=72	
8	F0802239045	0	SEAL 50x72x8	
9	56170213	0	SPACER	
10	F0812859000	0	BEARING 32207	
11	F0801422010	0	SEEGER RING I 72x3	
12	56370209	0	SHIM	
12	56370210	0	SHIM	
12	56370211	0	SHIM	
12	56370212	0	SHIM	
13	59374548	0	BEVEL GEAR	
14	F0863311250	0	SCREW M10x1,5x32	
15	F0812956000	0	BEARING 32010 X/Q	
16	56370089	0	RING	
16	56370127	0	RING	
16	56370128	0	RING	
17	52470064	0	PINION	
18	52470063	0	PINION	
19	56471036	0	PIN	
20	56371037	0	PIN	
21	52470067	0	DIFFERENTIAL PINION	
22	51371035	0	HOUSING	
23	59070065	0	SLEEVE	
24	58170039	0	BUSHING	
25	F0802119050	0	SEAL 30x44x11	
26	58170107	0	JOINT	
27	56470216	0	SHIM	
28	52470086	0	CROWN WHEEL	
29	F0801218010	0	SEEGER RING E 28 UNI 7436	

SERIAL

FRONT TRANSMISSION
Power: 70 CV, 80 CV, 90 CV

CODE REV

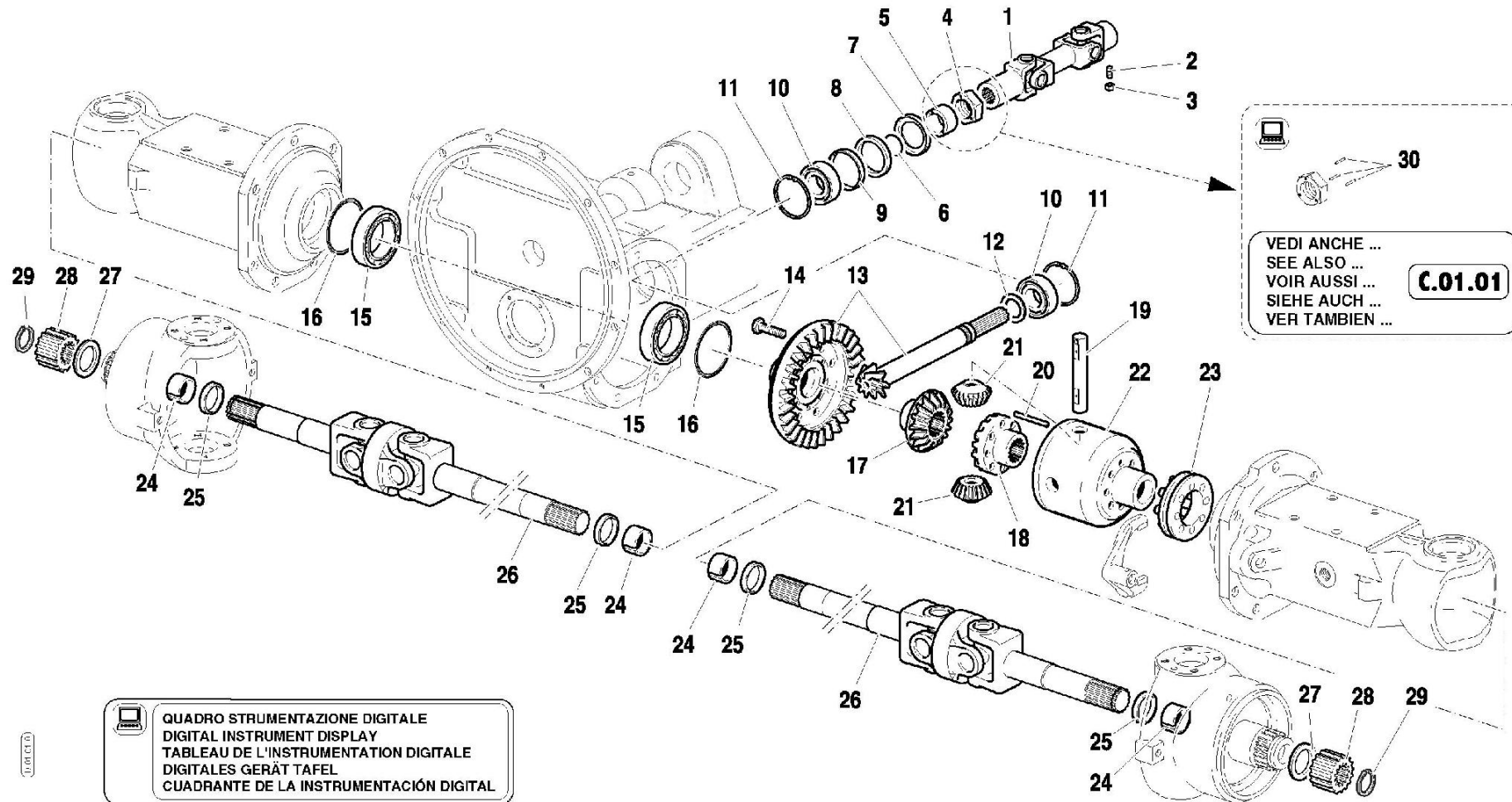
D0101_0_16072



TRASMISSIONE ANTERIORE
 FRONT TRANSMISSION
 TRANSMISSION AVANT
 VORDERANTRIEB
 TRANSMISION DELANTERA

Validità		
70	80	90
RS-M	RS-R	MT

Tavola	Rev.	Data
D.01.01	0	05/2003



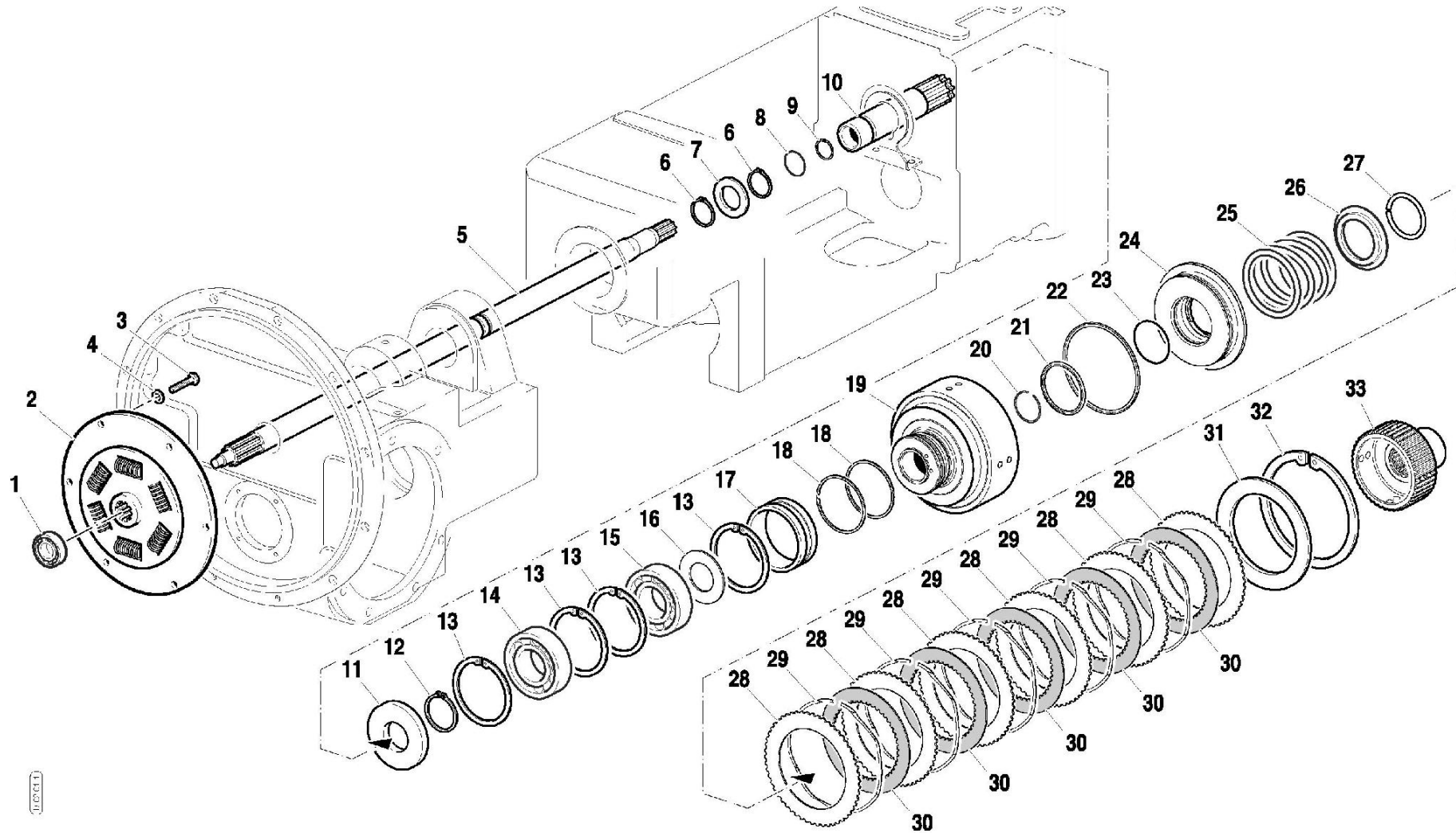
Pos.	Code	Q.ty	Description	Notes
30	F0851044000	0	PIN 3,0X26 DIN 1481 CL:C72	



ALBERO ANTERIORE FRIZIONE / FRIZIONE CAMBIO
 CLUTCH FRONT SHAFT/ TRANSMISSION CLUTCH
 ARBRE ANTÉRIEUR EMBRAYAGE/EMBAYAGE TRANSMISSION
 KUPPLUNGSVORDERWELLE/FAHRKUPPLUNG
 EJE DELANTERO EMBRAGUE/ EMBRAGUE TRANSMISSION

Validità		
70	80	90
RS-M	RS-R	MT
900825 →		

Tavola	Rev.	Data
D.02.01	1	05/2003



Pos.	Code	Q.ty	Description	Notes
1	F0812523050	0	BEARING 6201-2RS	
2	58174716	0	JOINT	
3	31112148	0	SCREW TE M8X18 UNI 5739 8G	
4	31421083	0	WASHER	
5	56573662	0	FRONT CLUTCH SHAFT	
6	35121030	0	SEEGER RING E 30 DIN 471	
7	57371049	0	WASHER D.44x30,2/4	
8	38112507	0	O-RING 3100 (25,07X2,62)	
9	F0801138010	0	SEEGER RING I 19 UNI 7437	
10	52473658	0	SHAFT	
11	F0802163010	0	SEAL 35x80/10	
12	F0801264050	0	SEEGER RING E 35X2,5 U/7436	
13	35111080	0	SEEGER RING I 80 DIN 472	
14	37111354	0	BEARING	
15	F0812868060	0	BEARING 6307-Z (35X80X21)	
16	56371162	0	SHIM	
17	56470002	0	BUSHING	
18	58170306	0	SEAL	
19	52573648	0	CLUTCH HOUSING	
20	F0801266100	0	SAFETY RING	
21	58170443	0	GASKET	
22	58172400	0	GASKET	
23	38104412	0	O-RING 3175 (44,12X2,62)	
24	53273025	0	PISTON	
25	58070262	0	RESTORING SPRING	
26	56370267	0	RING	
27	58070268	0	CIRCLIP	
28	58170034	0	DISC	
29	58172106	0	SPRING	
30	58172105	0	DISC	
31	56370037	0	CLUTCH DISC	
32	F0801455100	0	SEEGER RING I 135 UNI 7437	
33	52473655	0	HUB	

SERIAL

CLUTCH FRONT SHAFT/ TRANSMISSION CLUTCH

Power: 70 CV, 80 CV, 90 CV

CODE REV

D0201_1_16174

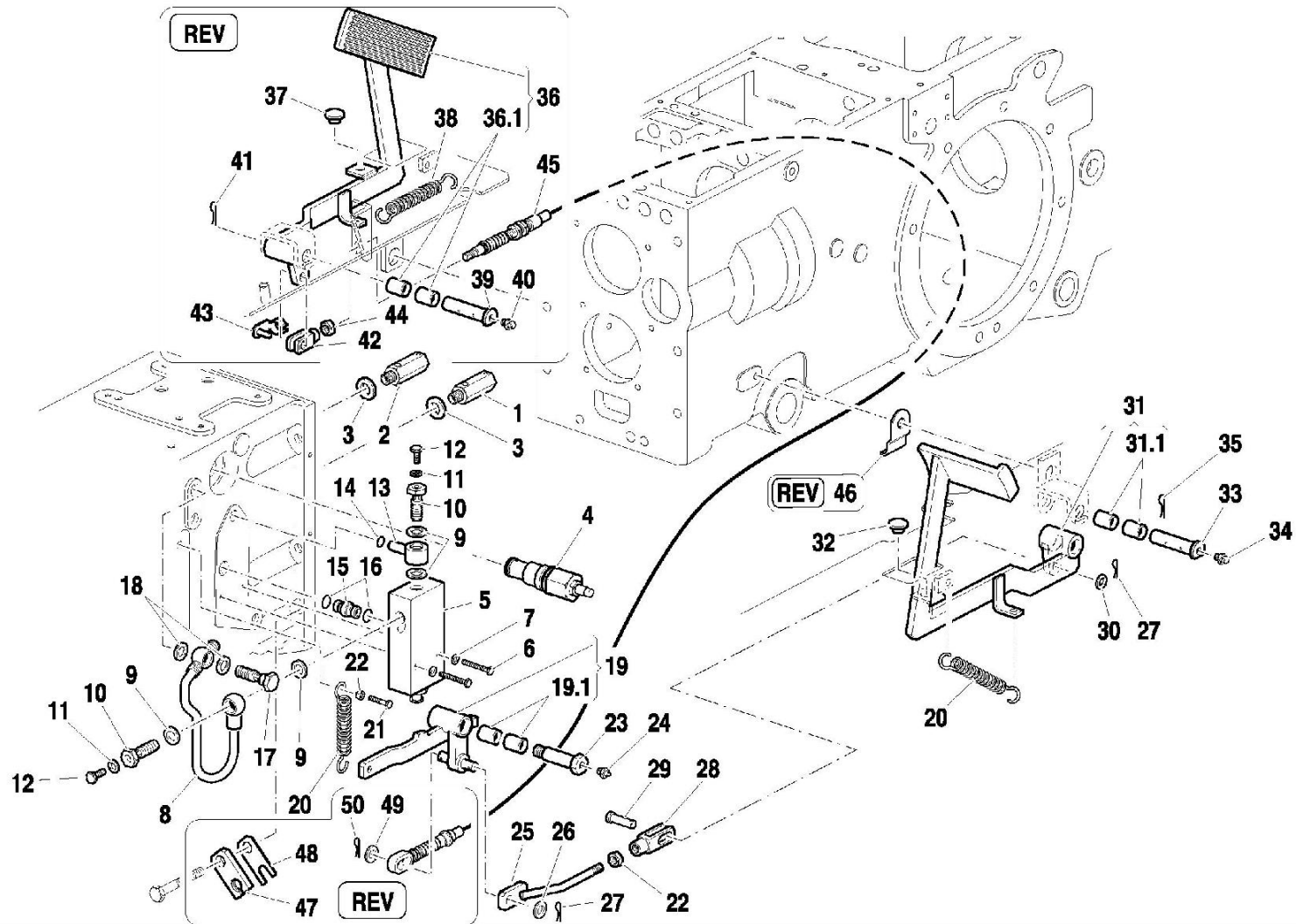


COMANDI FRIZIONE
 CLUTCH CONTROLS
 COMMANDES EMBRAYAGE
 KUPPLUNGSSTEUERUNGEN
 COMANDOS EMBRAGUE

Validità				
70	80	90		
RS-M	RS-R	MT	AR-M	AR-R

Tavola **D.03.01** - Rev. **0**

Data 05/2003



Pos.	Code	Q.ty	Description	Notes
1	59271860	0	VALVE	
2	59271859	0	SAFETY VALVE	
3	F0843841000	0	COPPER WASHER 12,0x18/1,5	
4	58173961	0	VALVE	
5	58173030	0	SWITCH	
6	F0862345000	0	SCREW M6X40 UNI 5737	
7	F0843581010	0	SPRING WASHER 6	
8	59074741	0	PIPE	
9	F0843907000	0	COPPER WASHER 13,66x19/1,5	
10	58074558	0	PIPE FITTING	
11	F0843641000	0	COPPER WASHER 8x14/1,5	
12	F0862448100	0	SCREW M8X10 UNI 5740	
13	59074623	0	PRESSURE PIPE	
14	F0803171100	0	O-RING 112	
15	56170029	0	PIPE FITTING	
16	F0803057000	0	O-RING 2037	
17	F0843109020	0	PIPE FITTING	
18	F0824110000	0	COPPER WASHER 3/8 GAS	
19	59073725	0	ROCKER	
19.1	58173195	0	BUSHING	
20	58070790	0	RESTORING SPRING	
21	F0862694000	0	SCREW M8X170 UNI 5737	
22	F0814569000	0	NUT M8 UNI 5589 CL:8	
23	56173684	0	PIN	
24	30000007	0	LUBRICATOR	
25	59073685	0	ROD	
26	31411105	0	WASHER 10,5x21	
27	F0810510000	0	SPLIT PIN A2,0X20 UNI 1336	
28	56074302	0	FORK	
29	F0835523000	0	PIN	
30	31411084	0	WASHER 8,4x17	
31	59074206	0	CLUTCH PEDAL	
31.1	58173195	0	BUSHING	
32	F0822537050	0	BUFFER	

SERIAL

CLUTCH CONTROLS
Power: 70 CV, 80 CV, 90 CV

CODE REV

D0301_0_16283

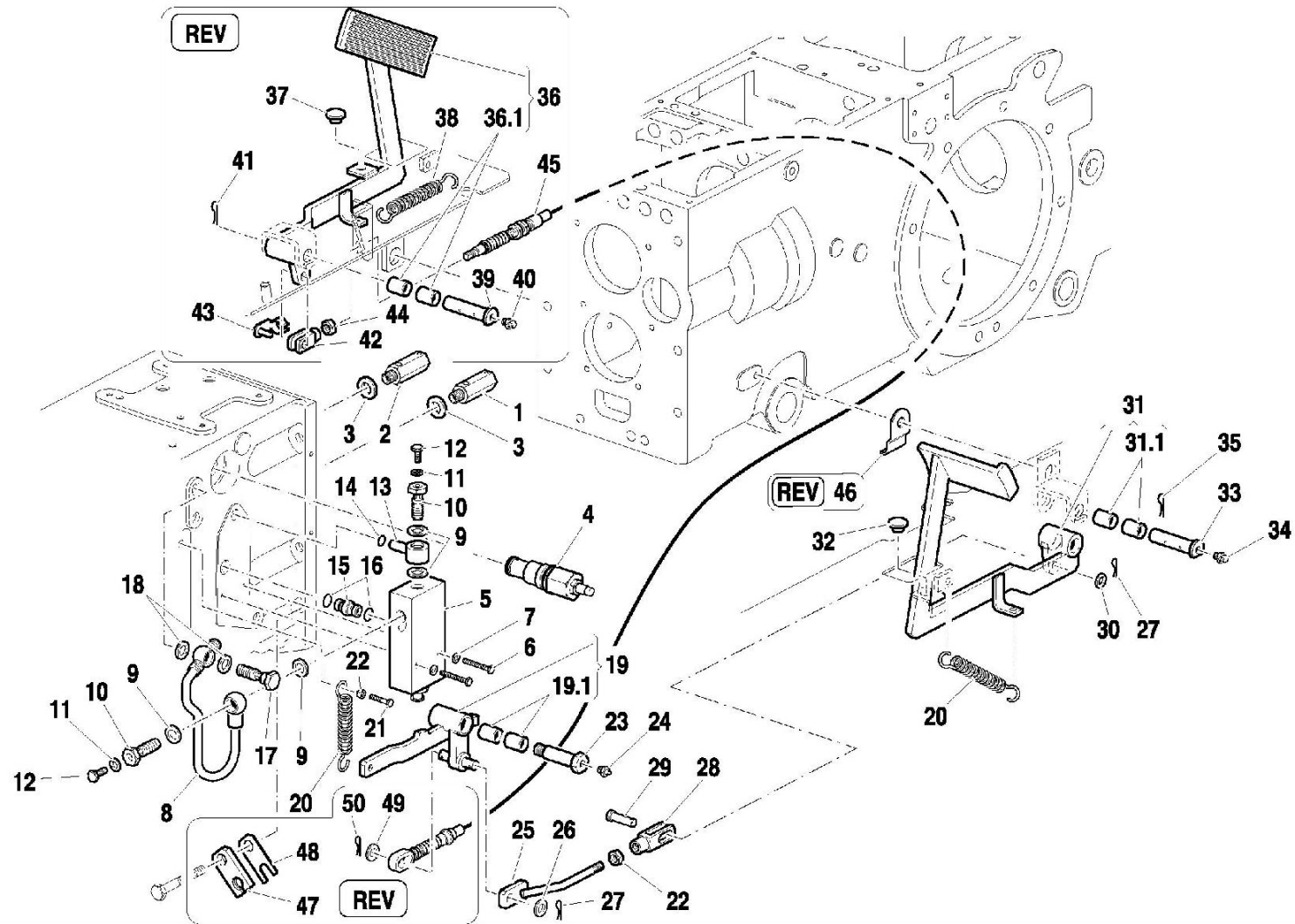


COMANDI FRIZIONE
 CLUTCH CONTROLS
 COMMANDES EMBRAYAGE
 KUPPLUNGSSTEUERUNGEN
 COMANDOS EMBRAGUE

Validità				
70	80	90		
RS-M	RS-R	MT	AR-M	AR-R

Tavola **D.03.01** - Rev. **0**

Data 05/2003



1053410

Pos.	Code	Q.ty	Description	Notes
33	56373194	0	HINGE PIN	
34	F0826039000	0	LUBRICATOR	
35	F0810527000	0	SPLIT PIN A2,5X25 UNI 1336	
36	59074296	0	PEDAL	
36.1	58173195	0	BUSHING	
37	F0822537050	0	BUFFER	
38	58070790	0	RESTORING SPRING	
39	59074296	0	PEDAL	
40	F0826039000	0	LUBRICATOR	
41	F0810527000	0	SPLIT PIN A2,5X25 UNI 1336	
42	F0860060010	0	FORK	
43	F0860060020	0	PIN	
44	F0814569000	0	NUT M8 UNI 5589 CL:8	
45	58174417	0	CABLE	
46	56075230	0	BRACKET	
47	56174400	0	PLATE	
48	56174401	0	FIXING PLATE	
49	31411105	0	WASHER 10,5x21	
50	F0810510000	0	SPLIT PIN A2,0X20 UNI 1336	

SERIAL

CLUTCH CONTROLS
Power: 70 CV, 80 CV, 90 CV

CODE REV
D0301_0_16283

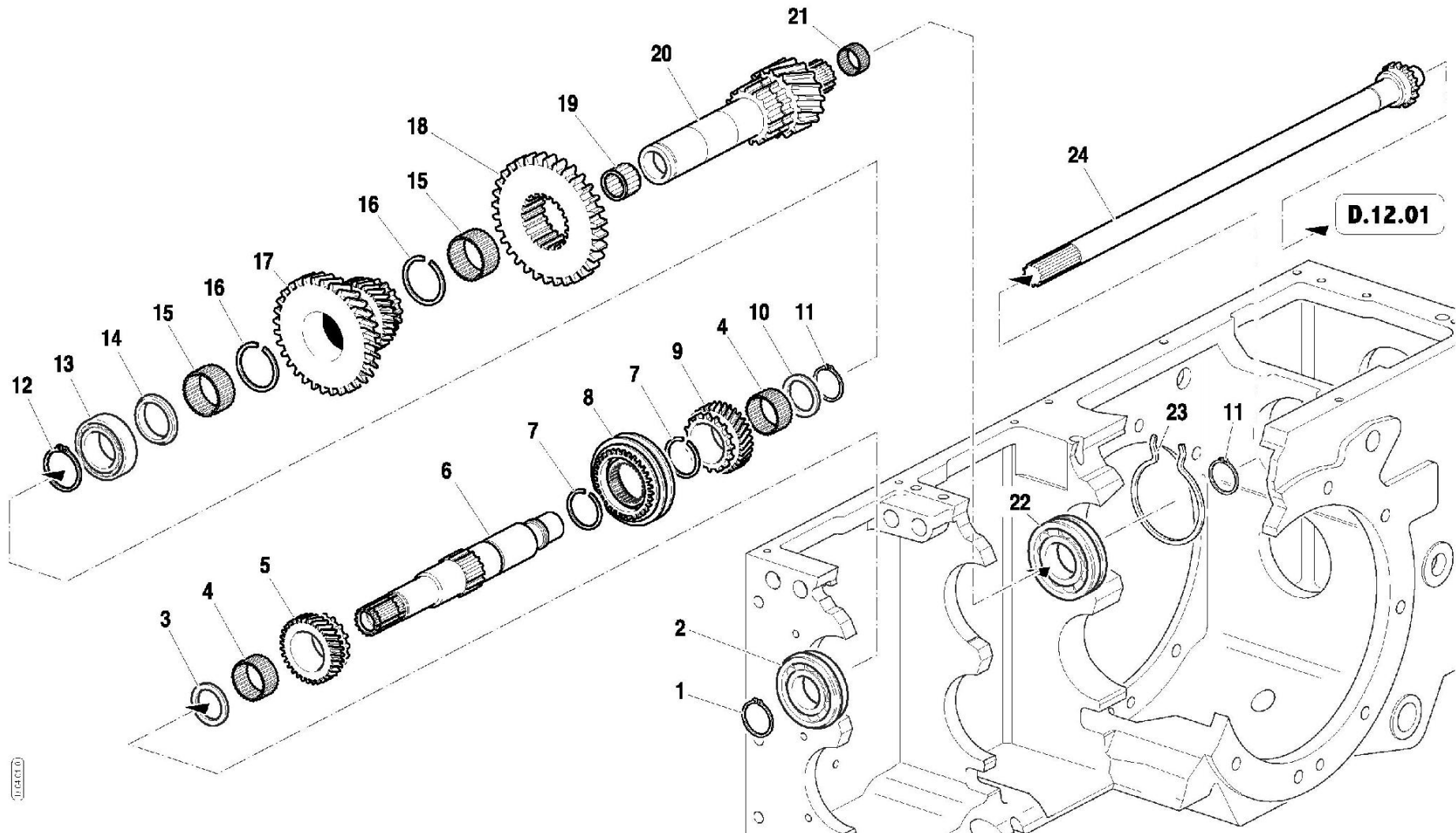


ALBERO ENTRATA CAMBIO, ALBERO PRIMARIO GAMME E INGRANAGGI
INPUT SHAFT/RANGES MAIN SHAFT/GEARS
ARBRE D'ENTRÉE/ARBRE PRIMAIRE GAMMES/ENGRENAGES
EINGANGSWELLE/REIHE HAUPTWELLE/ZAHNRÄDER
EJE D'ENTRADA/EJE PRIMARIO GAMAS/ENGRANAJES

Validità				
70	80	90		
RS-M	RS-R	MT	AR-M	AR-R

Tavola	Rev.	Data
D.04.01	0	05/2003

1/1



Pos.	Code	Q.ty	Description	Notes
1	F0801264050	0	SEEGER RING E 35X2,5 U/7436	
2	F0812868000	0	BEARING 6307-NR	
3	56470110	0	SHIM	
4	F0812878040	0	ROLLER CAGE K 40X45/27	
5	52473838	0	DRIVEN GEAR	
6	56473818	0	SHAFT	
7	F0801331150	0	SAFETY RING	
8	58170279	0	LOCK SYNCHRONIZER	
9	52473839	0	GEAR	
10	56470139	0	SHIM	
11	35121040	0	SEEGER RING E 40 DIN 471	
12	F0801353000	0	SEEGER RING E 50 UNI 7435	
13	F0812952000	0	BEARING 6010	
14	56470111	0	SHIM	
15	F0812951200	0	ROLLER CAGE K 50X55/20 H	
16	F0801380100	0	SAFETY RING	
17	52474254	0	DOUBLE GEAR	
18	52470762	0	SLIDING GEAR	
19	F0812783000	0	ROLLER CAGE K 32X38/20	
20	52475073	0	OUTPUT SHAFT	
21	F0812660020	0	ROLLER CAGE K 22X26/17	
22	F0812918010	0	BEARING 6308-NR (40x90x23)	
23	58170130	0	CIRCLIP	
24	52473656	0	SHAFT	

SERIAL

INPUT SHAFT/RANGES MAIN SHAFT/GEARS

Power: 70 CV, 80 CV, 90 CV

CODE REV

D0401_0_16337

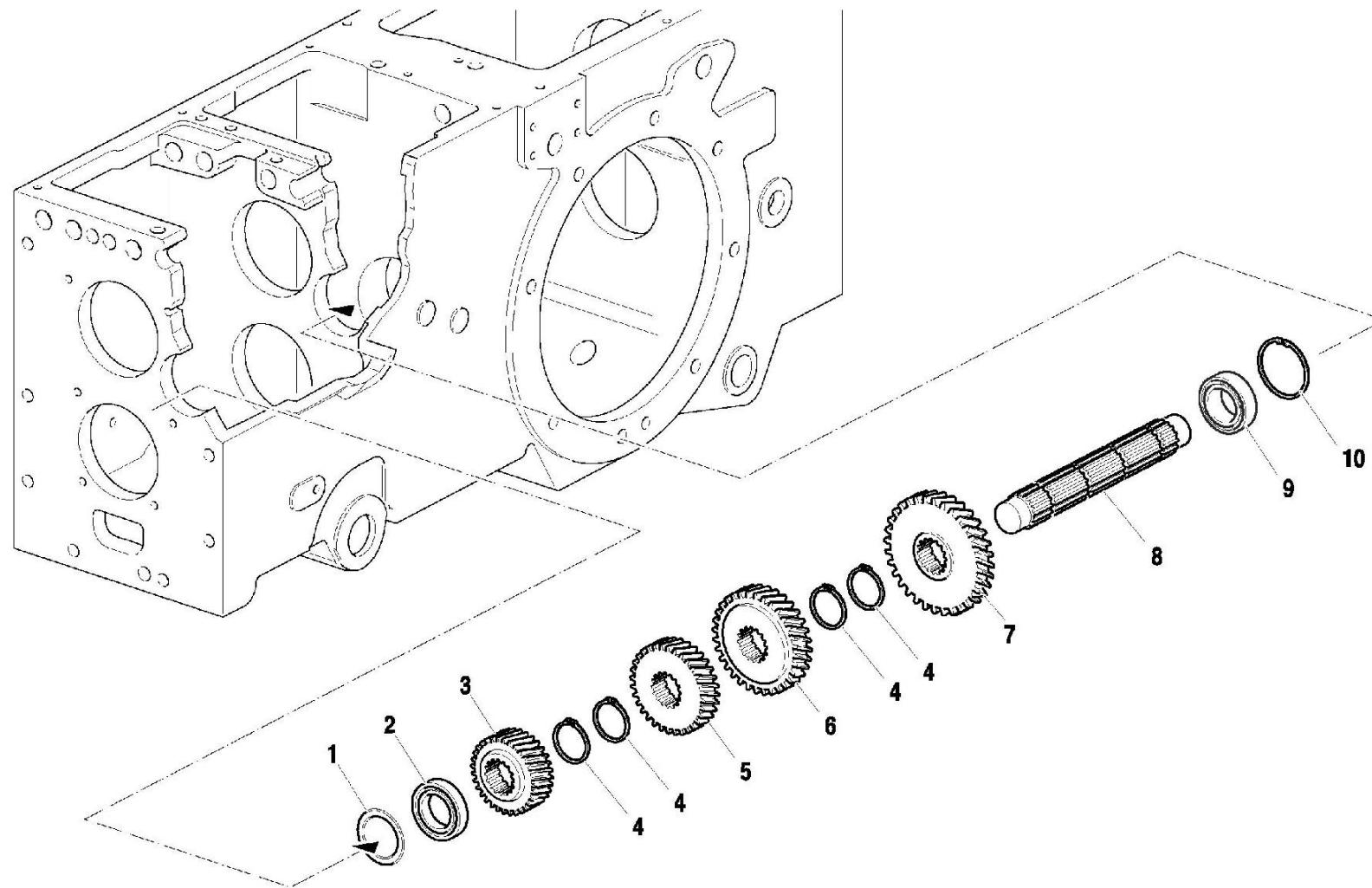


ALBERO PRIMARIO CAMBIO E INGRANAGGI
GEARS MAIN SHAFT/GEARS
ARBRE PRIMAIRE MARCHES/ENGRENAGES
GÄNGE HAUPTWELLE/ZAHNRÄDER
EJE PRIMARIO MARCHAS/ENGRANAJES

Validità				
70	80	90		
RS-M	RS-R	MT	AR-M	AR-R

Tavola	Rev.	Data
D.05.01	0	05/2003

1/1



Pos.	Code	Q.ty	Description	Notes
1	F0850100000	0	SHIM 41x51/0,2	
1	F0850100010	0	SHIM 41x51/0,3	
1	F0850100020	0	SHIM 41x51/0,5	
2	F0812708030	0	BEARING NJ 205E	
3	52473828	0	GEAR	
4	F0801241010	0	SEEGER RING E 30 UNI 7436	
5	52473829	0	GEAR	
6	52473830	0	GEAR	
7	52473831	0	GEAR	
8	52473827	0	OUTPUT SHAFT	
9	37111255	0	BEARING	
10	35111052	0	SEEGER RING I 52 DIN 472	

FERRARI*Thor*

ALBERO SECONDARIO CAMBIO E INGRANAGGI
 GEARS TRANSMISSION SHAFT/GEARS
 ARBRE SECONDAIRE MARCHES/ENGRENAGES
 GÄNGE VORGELEGEWELLE/ZAHNRÄDER
 EJE SECUNDARIO MARCHAS/ENGRANAJES

Validità

70	80	90
RS-M	RS-R	MT
AR-M	AR-R	

Tavola

D.06.01

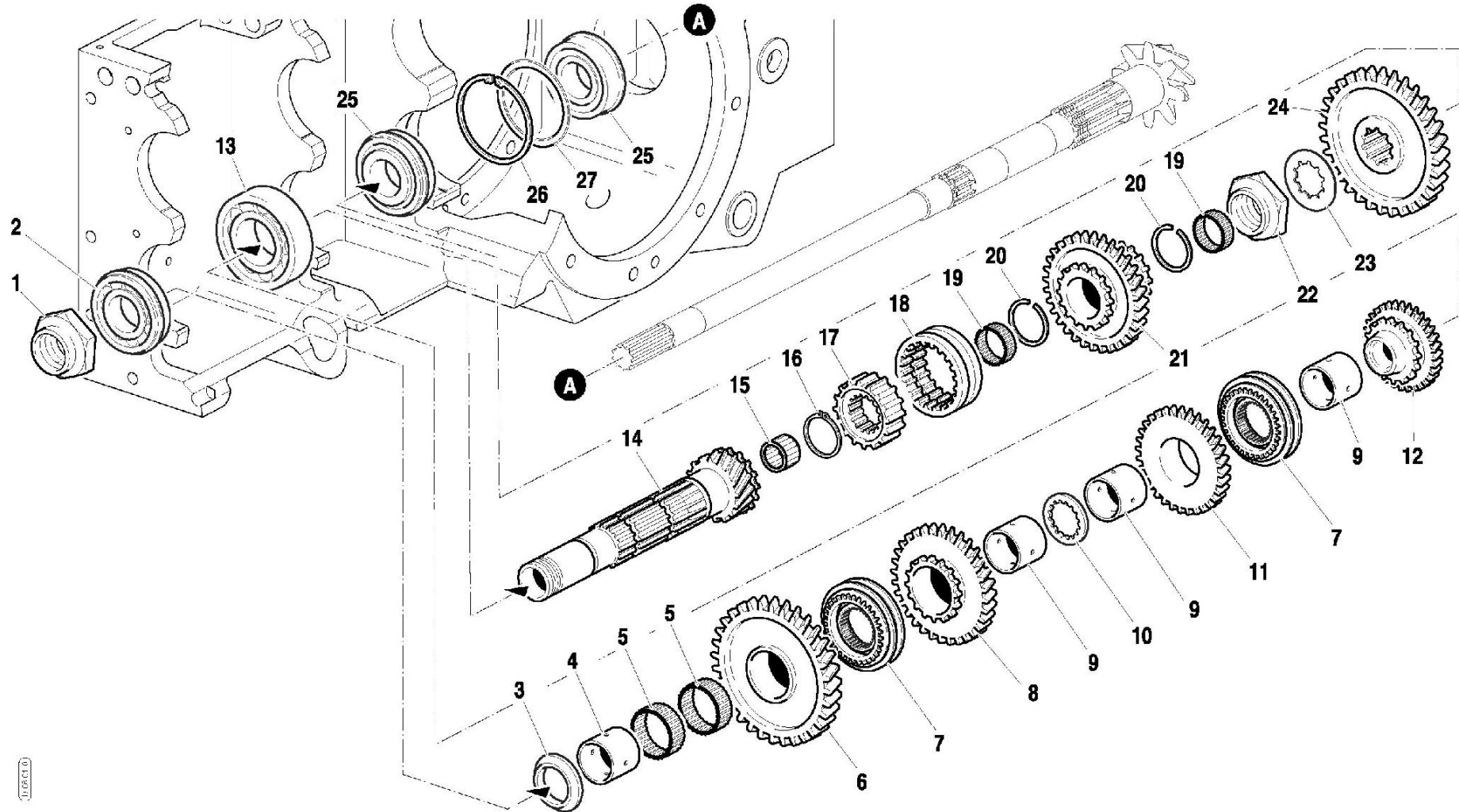
Rev.

0

Data

05/2003

1/1



Pos.	Code	Q.ty	Description	Notes
1	56373840	0	RING NUT	
2	F0812899000	0	BEARING 6208-NR	
3	52473833	0	THRUST PLATE	
4	56570219	0	BUSHING	
5	F0812951070	0	ROLLER CAGE K 47X52/17 H	
6	52473834	0	DRIVEN GEAR	
7	58171139	0	LOCK SYNCHRONIZER	
8	52473835	0	DRIVEN GEAR	
9	56470138	0	BUSHING	
10	56470137	0	SHIM	
11	52473836	0	DRIVEN GEAR	
12	52473837	0	DRIVEN GEAR	
13	F0812957000	0	BEARING 6210 (50/90/20)	
14	52474251	0	COUNTERSHAFT	
15	F0812692015	0	ROLLER CAGE K 25X35/25	
16	35121035	0	SEEGER RING E 35 DIN 471	
17	52470118	0	SLEEVE	
18	52470117	0	SLIDING SLEEVE	
19	F0812811000	0	ROLLER CAGE K 35X40/17	
20	F0801299100	0	SAFETY RING	
21	52474253	0	DOUBLE GEAR	
22	56370761	0	RING NUT	
23	56170760	0	RETAINING WASHER SP.1,0	
23	56174692	0	RETAINING WASHER SP.0,8	
23	56174693	0	RETAINING WASHER SP.0,9	
23	56174694	0	RETAINING WASHER SP.1,1	
23	56174695	0	RETAINING WASHER SP.1,2	
24	56175367	0	RETAINING WASHER SP.1,3	
24	52474252	0	DRIVEN GEAR	
25	F0812904000	0	BEARING 30208 (40-80/19,75)	
26	35111080	0	SEEGER RING I 80 DIN 472	
27	56370089	0	RING	
27	56370127	0	RING	
27	56370128	0	RING	

SERIAL

GEARS TRANSMISSION SHAFT/GEARS

Power: 70 CV, 80 CV, 90 CV

CODE REV

D0601_0_16375

FERRARI*Thor*

ALBERO SECONDARIO CAMBIO E INGRANAGGI
 GEARS TRANSMISSION SHAFT/GEARS
 ARBRE SECONDAIRE MARCHES/ENGRENAGES
 GÄNGE VORGELEGEWELLE/ZAHNRÄDER
 EJE SECUNDARIO MARCHAS/ENGRANAJES

Validità

70	80	90
RS-M	RS-R	MT
AR-M	AR-R	

Tavola

D.06.01

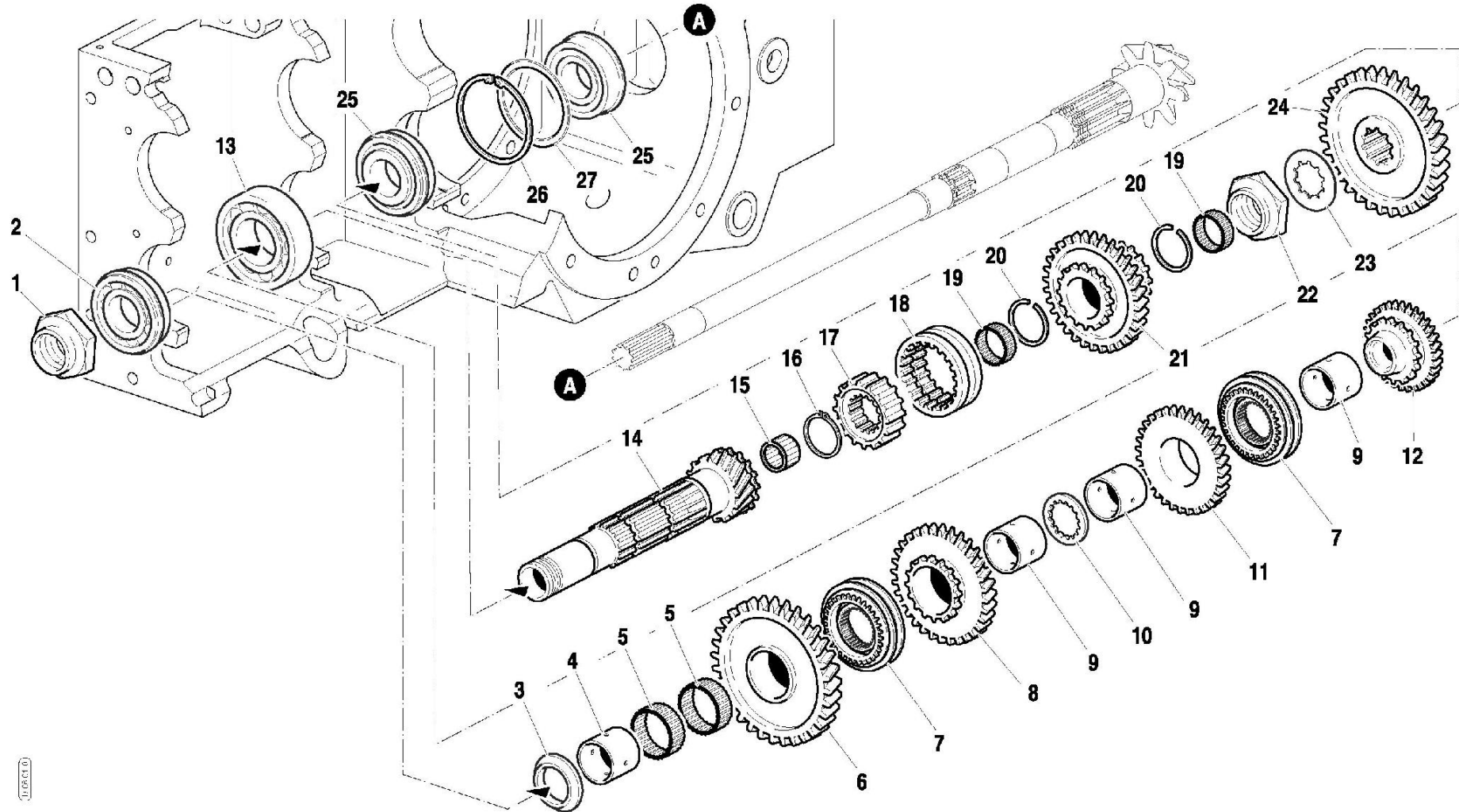
Rev.

0

Data

05/2003

1/1



Pos.	Code	Q.ty	Description	Notes
27	56370830	0	RING	

SERIAL

GEARS TRANSMISSION SHAFT/GEARS

Power: 70 CV, 80 CV, 90 CV

CODE REV

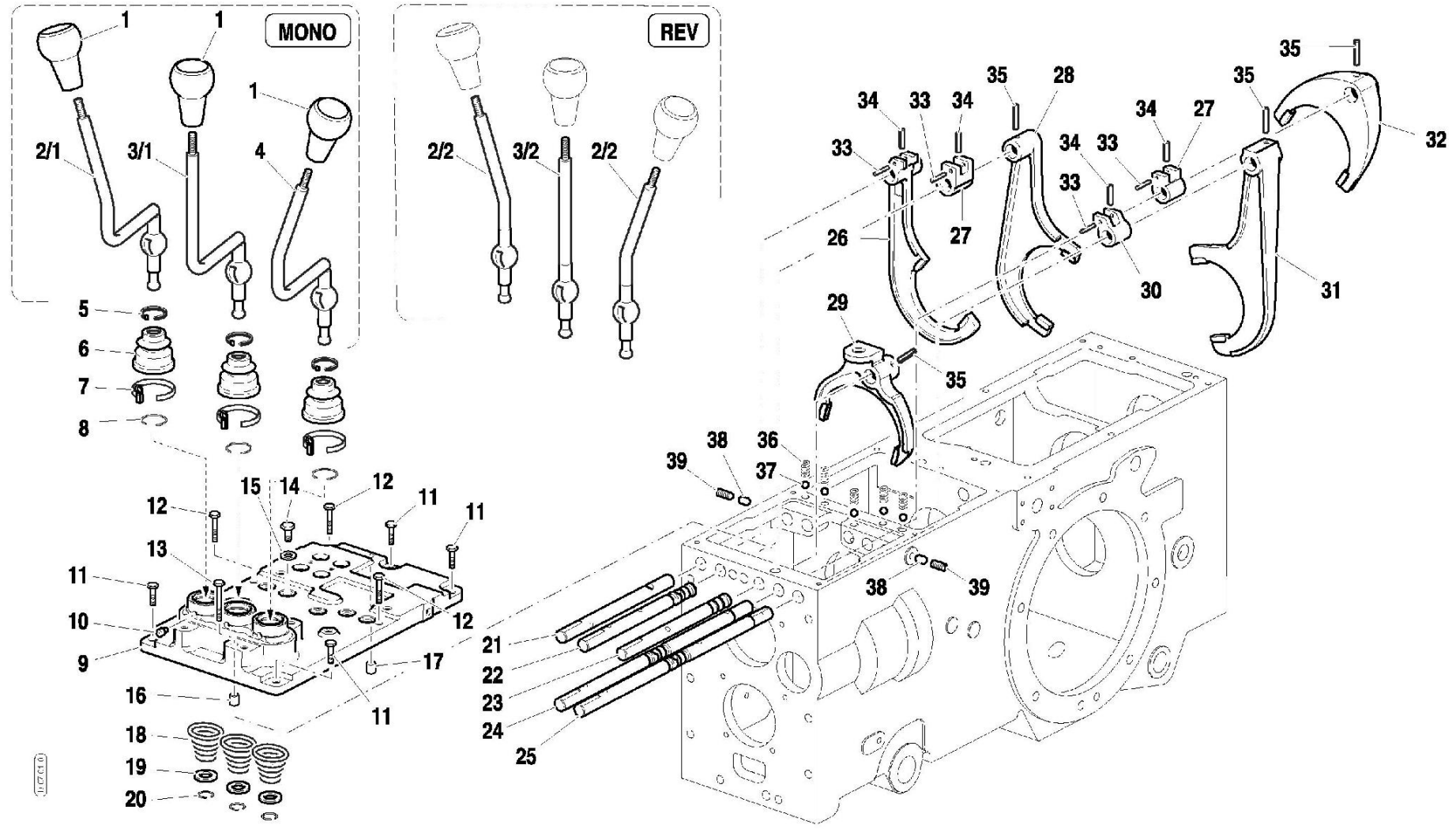
D0601_0_16375



COMANDI CAMBIO
 GEARBOX CONTROLS
 COMMANDES BOITE DE VITESSE
 GETRIEBESTEUERUNGEN
 MANDOS DE CAMBIO

Validità				
70	80	90		
RS-M	RS-R	MT	AR-M	AR-R

Tavola	Rev.	Data
D.07.01	0	05/2003



Pos.	Code	Q.ty	Description	Notes
1	58174192	0	HANDLE	
2/1	59074185	0	COMMAND LEVER	
2/2	52374189	0	COMMAND LEVER	
3/1	59074387	0	COMMAND LEVER	
3/2	52374386	0	COMMAND LEVER	
4	59074188	0	COMMAND LEVER	
5	F0817640003	0	CLAMP 4,8x180	
6	55170053	0	CAP	
7	58170054	0	COLLAR	
8	58070169	0	LOCKRING	
9	51174394	0	COVER	
10	56370018	0	HINGE PIN	
11	31112146	0	SCREW TE M8X22 UNI 5739 8G	
12	31112152	0	SCREW TE M8X30 UNI 5739 8G	
13	F0862944000	0	SCREW M8X60 UNI 5737	
14	56370186	0	PLUG	
15	F0843771000	0	COPPER WASHER 10,0x16/1	
16	56170017	0	PIN	
17	56570016	0	CYLINDRICAL PLUG	
18	58070164	0	SPRING	
19	56370172	0	SPACER	
20	58070168	0	LOCKRING	
21	56371065	0	PULL ROD	
22	56370177	0	PULL ROD	
23	56370165	0	ROD	
24	56373213	0	PULL ROD	
25	56370154	0	PULL ROD	
26	52274299	0	SELECTOR FORK	
27	52374297	0	CATCH	
28	52272112	0	SELECTOR FORK	
29	52273364	0	SELECTOR FORK	
30	52374298	0	CATCH	
31	51273893	0	SELECTOR FORK	
32	51270771	0	SELECTOR FORK	

SERIAL

GEARBOX CONTROLS
Power: 70 CV, 80 CV, 90 CV

CODE REV

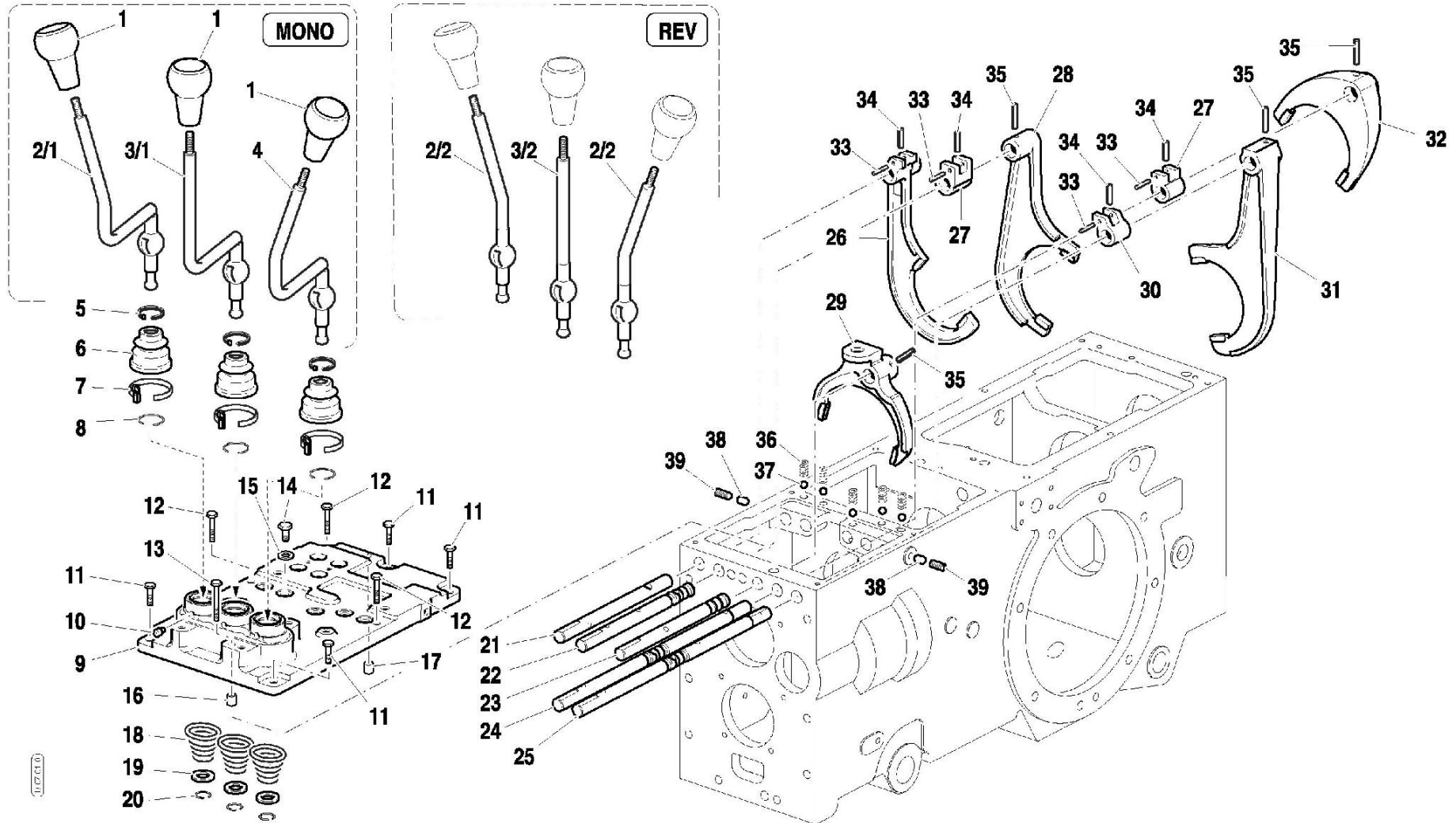
D0701_0_16411



COMANDI CAMBIO
 GEARBOX CONTROLS
 COMMANDES BOITE DE VITESSE
 GETRIEBESTEUERUNGEN
 MANDOS DE CAMBIO

Validità				
70	80	90		
RS-M	RS-R	MT	AR-M	AR-R

Tavola	Rev.	Data
D.07.01	0	05/2003



Pos.	Code	Q.ty	Description	Notes
33	F0851156000	0	PIN 4X30 DIN 1481 CL:C72	
34	F0851262000	0	PIN 6X26 DIN 7343 CL:C72	
35	F0851267050	0	PIN 6X30 DIN 7343 CL:C72	
36	58070741	0	SPRING	
37	F0847434000	0	BALL	
38	56570125	0	TOGGLE	
39	F0863183000	0	SCREW M10X16 UNI 5923	

SERIAL

GEARBOX CONTROLS
Power: 70 CV, 80 CV, 90 CV

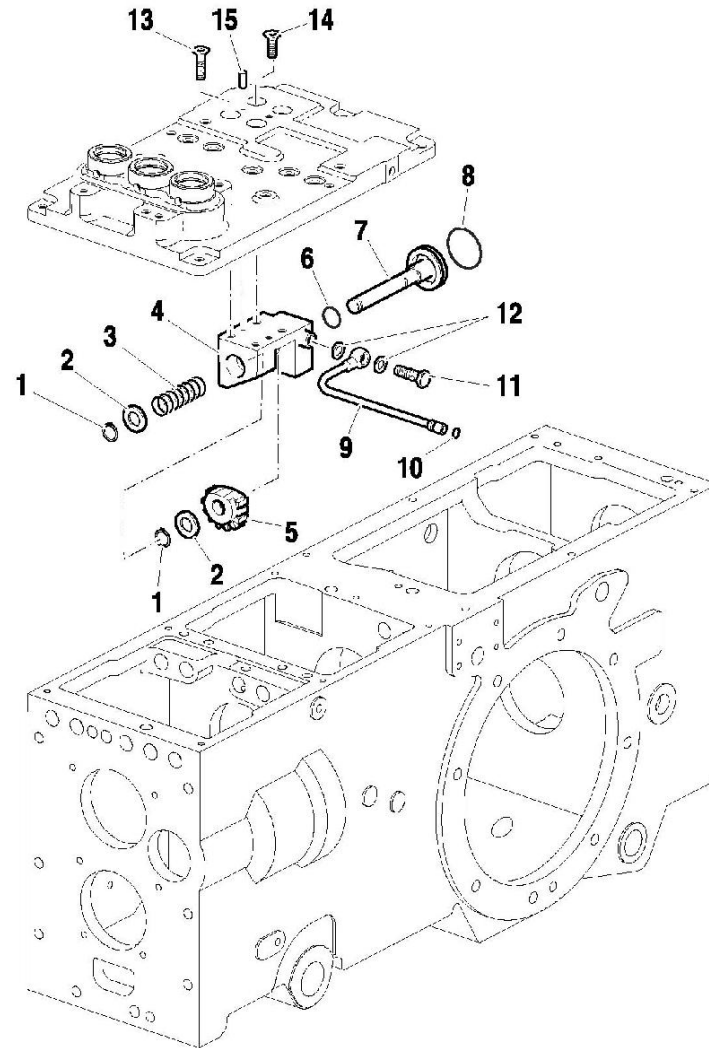
CODE REV
D0701_0_16411



LOCK MECCANICO
MECHANICAL LOCK
LOCK MECANIQUE
MECHANISCHES LOCK
LOCK MECANICO

Validità				
70	80	90		
RS-M	RS-R	MT	AR-M	AR-R

Tavola	Rev.	Data
D.08.01	0	05/2003



Pos.	Code	Q.ty	Description	Notes
1	35121014	0	SEEGER RING E 14 DIN 471	
2	F0843957000	0	WASHER D.25x14,5/2,2	
3	58072107	0	SPRING	
4	59074438	0	SMALL BLOCK	
5	56475839	0	SMALL BLOCK	
6	F0803186000	0	O-RING 123	
7	59272073	0	PISTON	
8	38114070	0	O-RING	
9	59074436	0	PIPE	
10	F0803050000	0	O-RING 2025	
11	F0843102000	0	THR. TERMINAL END M10X1,25X20	
12	F0843771000	0	COPPER WASHER 10,0x16/1	
13	F0862655000	0	SCREW M8X25-5933	
14	F0862549000	0	SCREW M8X18 UNI 5933	
15	52074435	0	CYLINDRICAL PLUG	

SERIAL

MECHANICAL LOCK
 Power: 70 CV, 80 CV, 90 CV

CODE REV
D0801_0_16453

FERRARI*Thor*

TRASMISSIONE POSTERIORE
REAR TRANSMISSION
TRANSMISSION ARRIERE
HINTERANTRIEB
TRASMISION TRASERA

Validità

70	80	90
RS-M	RS-R	MT

Tavola

D.09.01

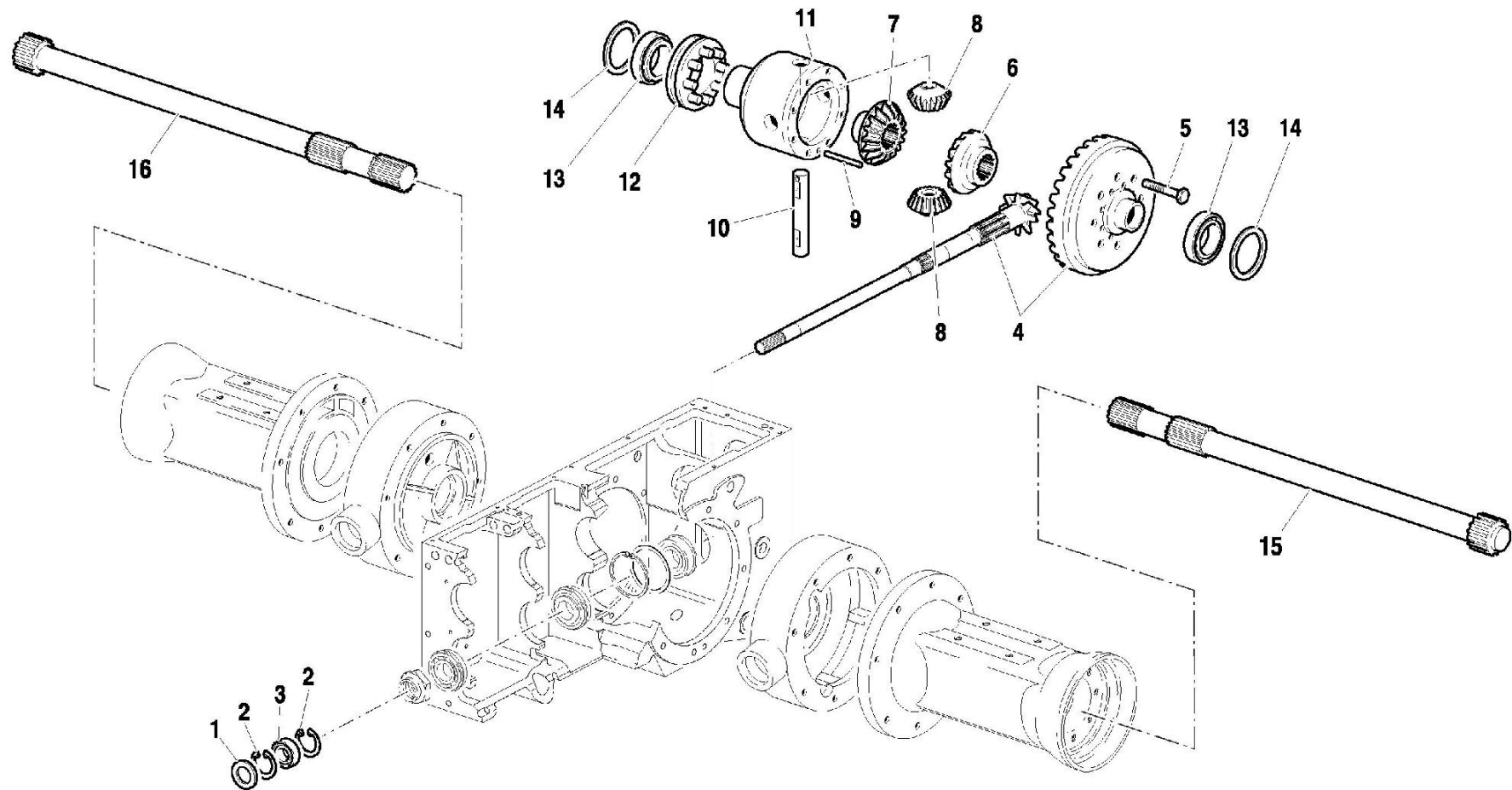
Rev.

0

Data

05/2003

1/1



Ducati

Pos.	Code	Q.ty	Description	Notes
1	F0802104000	0	OIL SEAL 25x62/10	
2	35111062	0	SEEGER RING I 62 DIN 472	
3	37111254	0	BEARING	
4	59374549	0	BEVEL GEAR	
5	F0863311250	0	SCREW M10x1,5x32	
6	52470062	0	PINION	
7	52470061	0	PINION	
8	52470067	0	DIFFERENTIAL PINION	
9	56371037	0	PIN	
10	56471036	0	PIN	
11	51371035	0	HOUSING	
12	59070065	0	SLEEVE	
13	F0812956000	0	BEARING 32010 X/Q	
14	56370089	0	RING	
14	56370127	0	RING	
14	56370128	0	RING	
14	56370830	0	RING	
15	52470106	0	REAR AXLE SHAFT	
16	52470105	0	REAR AXLE SHAFT	

SERIAL

REAR TRANSMISSION
Power: 70 CV, 80 CV, 90 CV

CODE REV

D0901_0_16469

FERRARI*Thor*

RIDUTTORE EPICICLOIDALE
EPYCLIC REDUCTION GEARS
REDUCTEURS ÉPICYCLOÏDAUX
PLANETENUNTERSETZER
REDUCTORES EPICICLOIDALES

Validità

70	80	90
RS-M	RS-R	MT
AR-M	AR-R	

Tavola

D.10.01

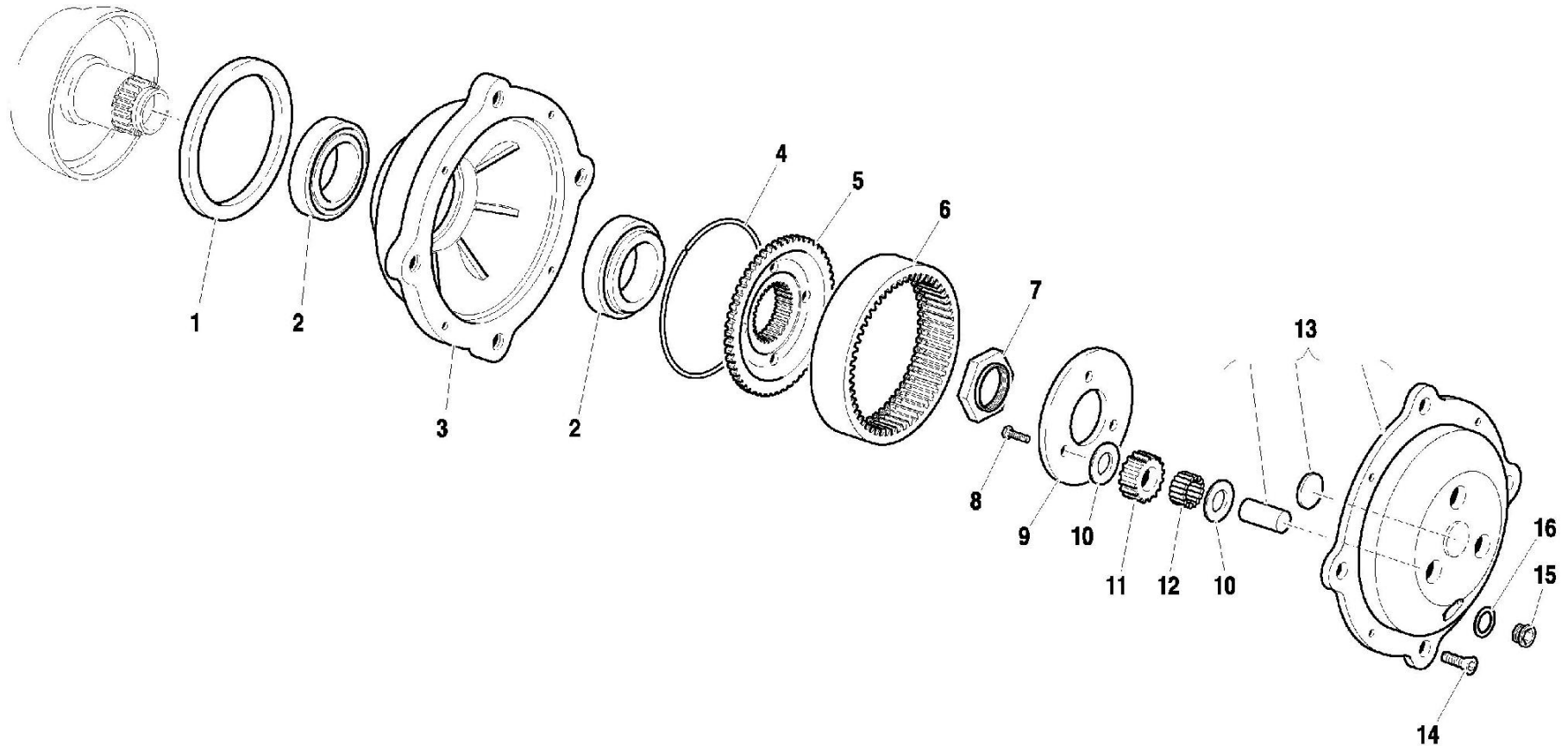
Rev.

0

Data

05/2003

1/1



Pos.	Code	Q.ty	Description	Notes
1	F0802700150	0	SEAL 125x150x12	
2	F0812975250	0	CYL. ROLLER BEARING 32013X	
3	51172005	0	HUB	
4	58070071	0	RING	
5	52370075	0	FLANGE	
6	52370072	0	CROWN WHEEL	
7	56370079	0	RING NUT	
8	F0862478070	0	SCREW M8x16	
9	56170074	0	ADJUSTING RING	
10	56370076	0	SHIM	
11	52470087	0	PLANETARY GEAR	
12	58170070	0	ROLLER BEARING	
13	59070094	0	COVER	
14	F0862655000	0	SCREW M8X25-5933	
15	56370081	0	PLUG	
16	F0844273090	0	GASKET 22X28X1,5 CU 99,5	



BLOCCAGGIO DIFFERENZIALE
DIFFERENTIAL LOCK
BLOCAGE DU DIFFERENTIEL
DIFFERENTIALSPERRE
BLOQUEO DEL DIFERENCIAL

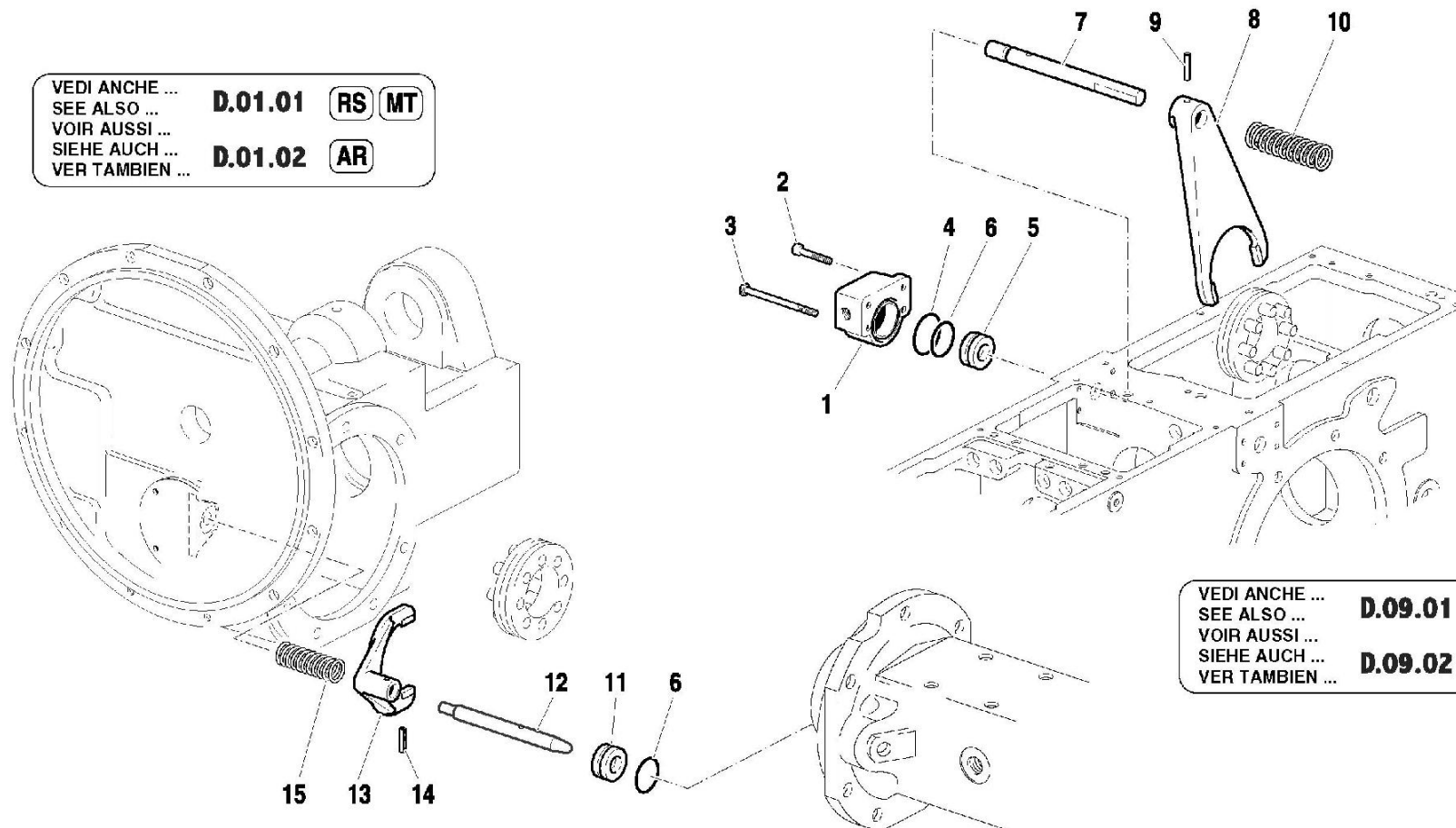
Validità				
70	80	90		
RS-M	RS-R	MT	AR-M	AR-R

Tavola	Rev.	Data
D.11.01	0	05/2003

1/1

VEDI ANCHE ...
SEE ALSO ...
VOIR AUSSI ...
SIEHE AUCH ...
VER TAMBIEN ...

D.01.01 **RS** **MT**
D.01.02 **AR**



VEDI ANCHE ...
SEE ALSO ...
VOIR AUSSI ...
SIEHE AUCH ...
VER TAMBIEN ...

D.09.01 **RS** **MT**
D.09.02 **AR**

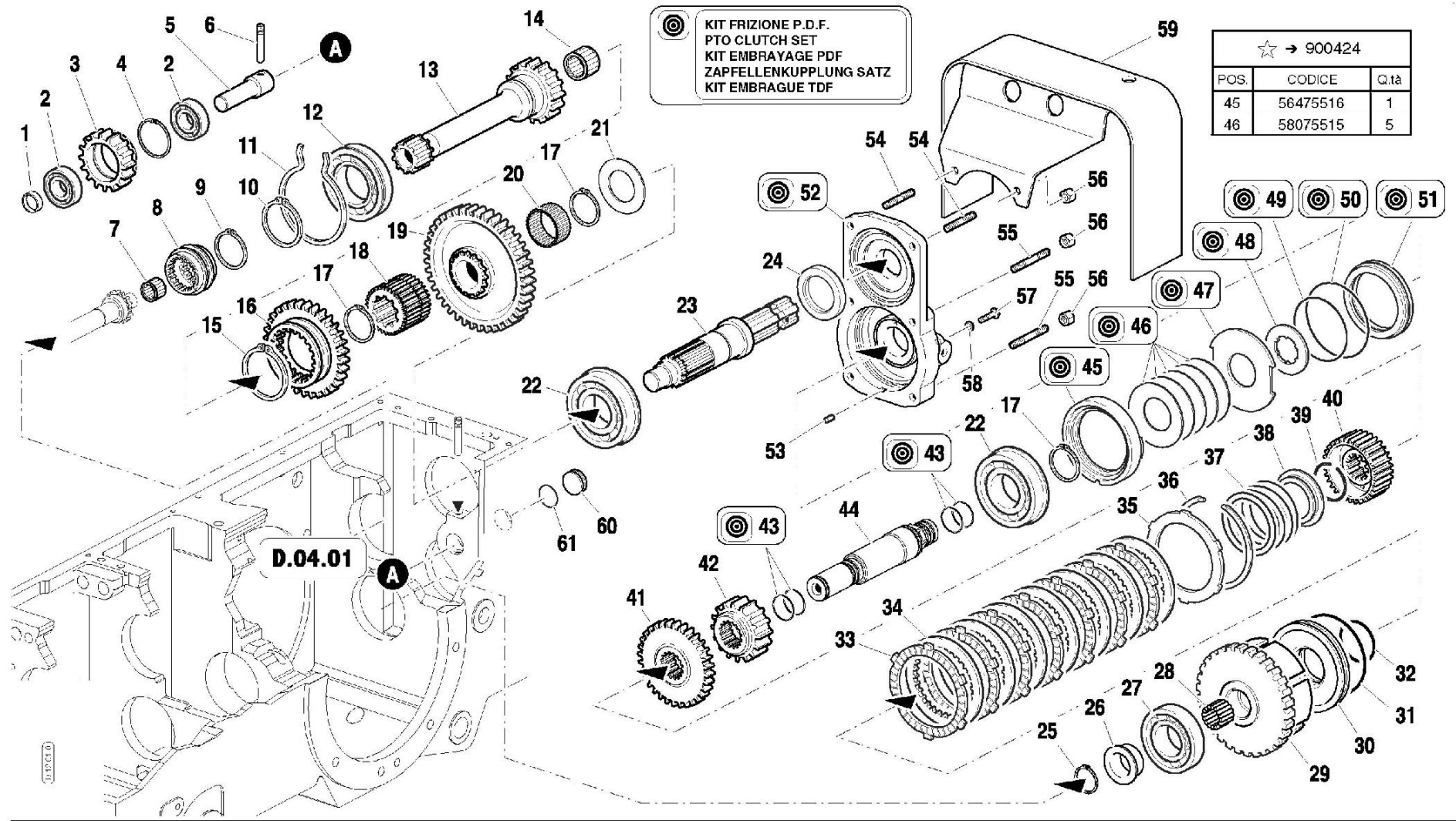
Pos.	Code	Q.ty	Description	Notes
1	52374641	0	SMALL BLOCK	
2	31152085	0	SCREW TCEI M8X25 UNI 5931	
3	31112161	0	SCREW TE M8X50 UNI 5737 8G	
4	F0803209000	0	O-RING 3156	
5	56370187	0	PISTON	
6	58170195	0	GASKET	
7	56370204	0	LOCKING DEVICE	
8	51270174	0	FORK	
9	F0851267050	0	PIN 6X30 DIN 7343 CL:C72	
10	58070198	0	SPRING	
11	56370583	0	PISTON	
12	56370582	0	LOCKING DEVICE	
13	51270203	0	FORK	
14	F0851260000	0	PIN 6X24 DIN 1481	
15	58070205	0	SPRING	



PRESA DI FORZA
POWER TAKE-OFF
PRISE DE FORCE
ZAPFWELLE
TOMA DE FUERZA

Validità				
70	80	90		
RS-M	RS-R	MT	AR-M	AR-R

Tavola	Rev.	Data
D.12.01	0	05/2003



(⊙) KIT FRIZIONE P.D.F.
 PTO CLUTCH SET
 KIT EMBRAYAGE PDF
 ZAPFELLENKUPPLUNG SATZ
 KIT EMBRAGUE TDF

D.04.01 (A)

Pos.	Code	Q.ty	Description	Notes
-	59978060	0	CLUTCH KIT	
1	56171572	0	SPACER	
2	F0812637000	0	BEARING 6204 (20x47x14)	
3	52473873	0	INTERMEDIATE WHEEL	
4	35111047	0	SEEGER RING I 47 DIN 472	
5	56174108	0	GEAR PIN	
6	56370178	0	SCREW	
7	F0812599086	0	BUSHING HK1816	
8	52470298	0	SLEEVE	
9	35121040	0	SEEGER RING E 40 DIN 471	
10	F0801353000	0	SEEGER RING E 50 UNI 7435	
11	58170130	0	CIRCLIP	
12	F0812957010	0	BEARING 6210-N (50/90/20)	
13	52473874	0	SHAFT	
14	F0812689050	0	ROLLER CAGE K 25X33/20	
15	F0801389000	0	SEEGER RING E 60 UNI 7435	
16	52475060	0	PTO GEAR	
17	F0801297050	0	SEEGER RING E 40x2,5 U/7436	
18	52475059	0	FIX SLEEVE	
19	52473875	0	DRIVEN GEAR	
20	F0812878040	0	ROLLER CAGE K 40X45/27	
21	56473880	0	SHIM	
22	F0812918010	0	BEARING 6308-NR (40x90x23)	
23	52473876	0	P.T.O. STUB	
24	F0802228005	0	SEAL 48x65/10	
25	F0801241010	0	SEEGER RING E 30 UNI 7436	
26	56470987	0	BUSHING	
27	37111404	0	BEARING	
28	F0812736010	0	ROLLER CAGE K 30X35/20 H	
29	59374107	0	CLUTCH HOUSING	
30	53273886	0	PISTON	
31	58172400	0	GASKET	
32	58172402	0	GASKET	
33	58172447	0	DISC	

SERIAL

POWER TAKE-OFF
Power: 70 CV, 80 CV, 90 CV

CODE REV

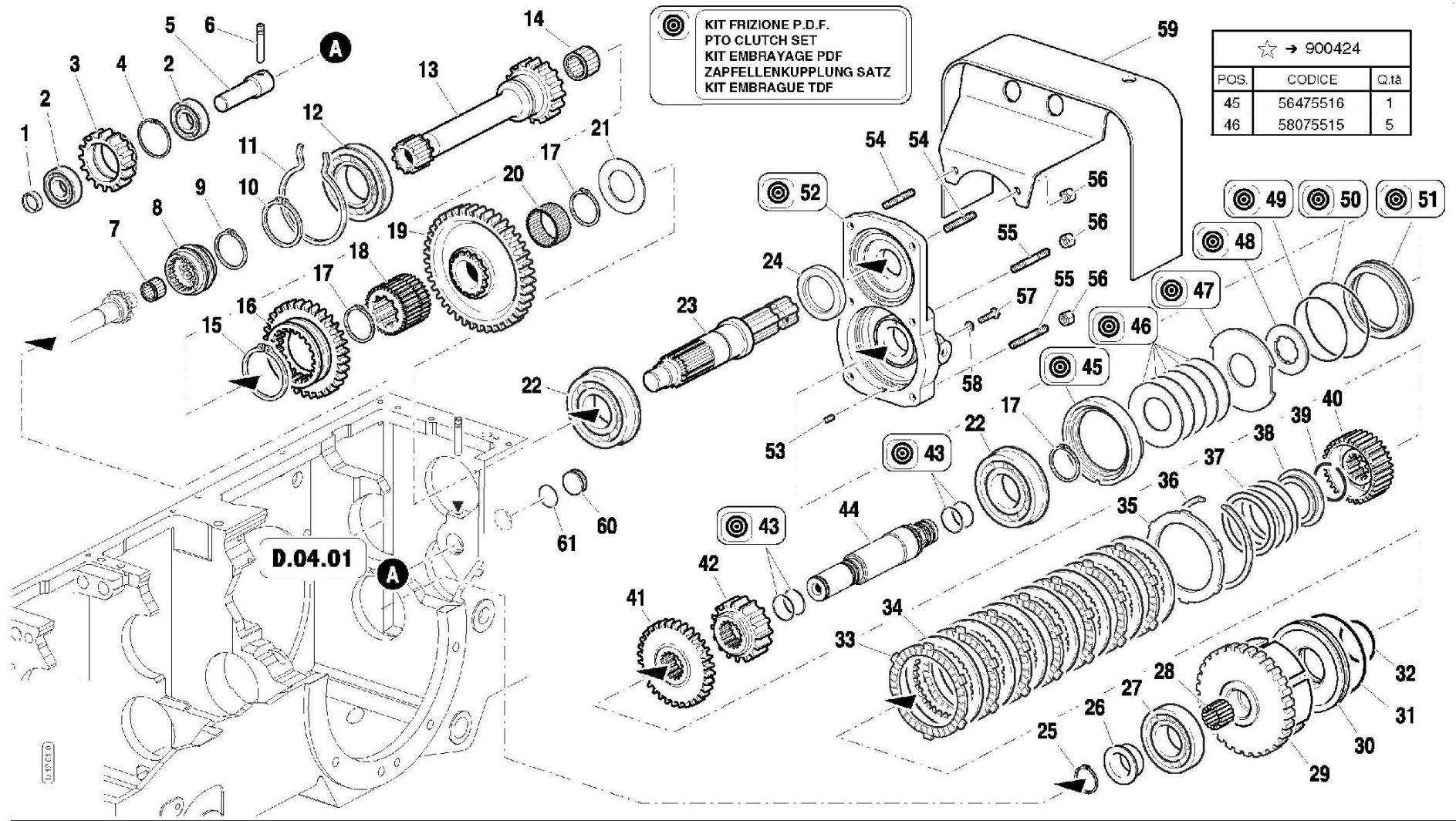
D1201_0_16542



PRESA DI FORZA
POWER TAKE-OFF
PRISE DE FORCE
ZAPFWELLE
TOMA DE FUERZA

Validità				
70	80	90		
RS-M	RS-R	MT	AR-M	AR-R

Tavola	Rev.	Data
D.12.01	0	05/2003



Pos.	Code	Q.ty	Description	Notes
34	58172448	0	DISC	
35	52372292	0	RING	
36	58072389	0	CIRCLIP	
37	58074092	0	RESTORING SPRING	
38	56372282	0	RING	
39	58072399	0	SAFETY RING	
40	52473885	0	DISC HUB	
41	52473881	0	GEAR	
42	52473894	0	GEAR	
43	58072398	0	SEAL	
44	59275513	0	SHAFT	
45	56475516	0	SPACER	
46	58075515	0	SPRING	
47	56475517	0	BRAKE DISC	
47	56475518	0	CLUTCH DISC	
47	56475757	0	BRAKE DISC	
47	56473890	0	BRAKE DISC	
47	56474713	0	BRAKE DISC	
47	56474714	0	BRAKE DISC	
47	56475398	0	BRAKE DISC	
47	56475416	0	BRAKE DISC	
47	56475417	0	BRAKE DISC	
48	56475844	0	CLUTCH DISC	
49	38116317	0	RING	
50	38118720	0	O-RING	
51	53273891	0	PISTON	
52	59375435	0	COVER	
53	F0851226000	0	PIN 6X12 UNI 1707 CL:C20	
54	F0838154010	0	STUD BOLT M8X25 UNI 5911 8.8	
55	31312089	0	STUD BOLT M8x52x14x18	
56	F0814574000	0	NUT M8	
57	F0862448100	0	SCREW M8X10 UNI 5740	
58	F0843641000	0	COPPER WASHER 8x14/1,5	
59	59074993	0	P.T.O. PROTECTION	

SERIAL

POWER TAKE-OFF
 Power: 70 CV, 80 CV, 90 CV

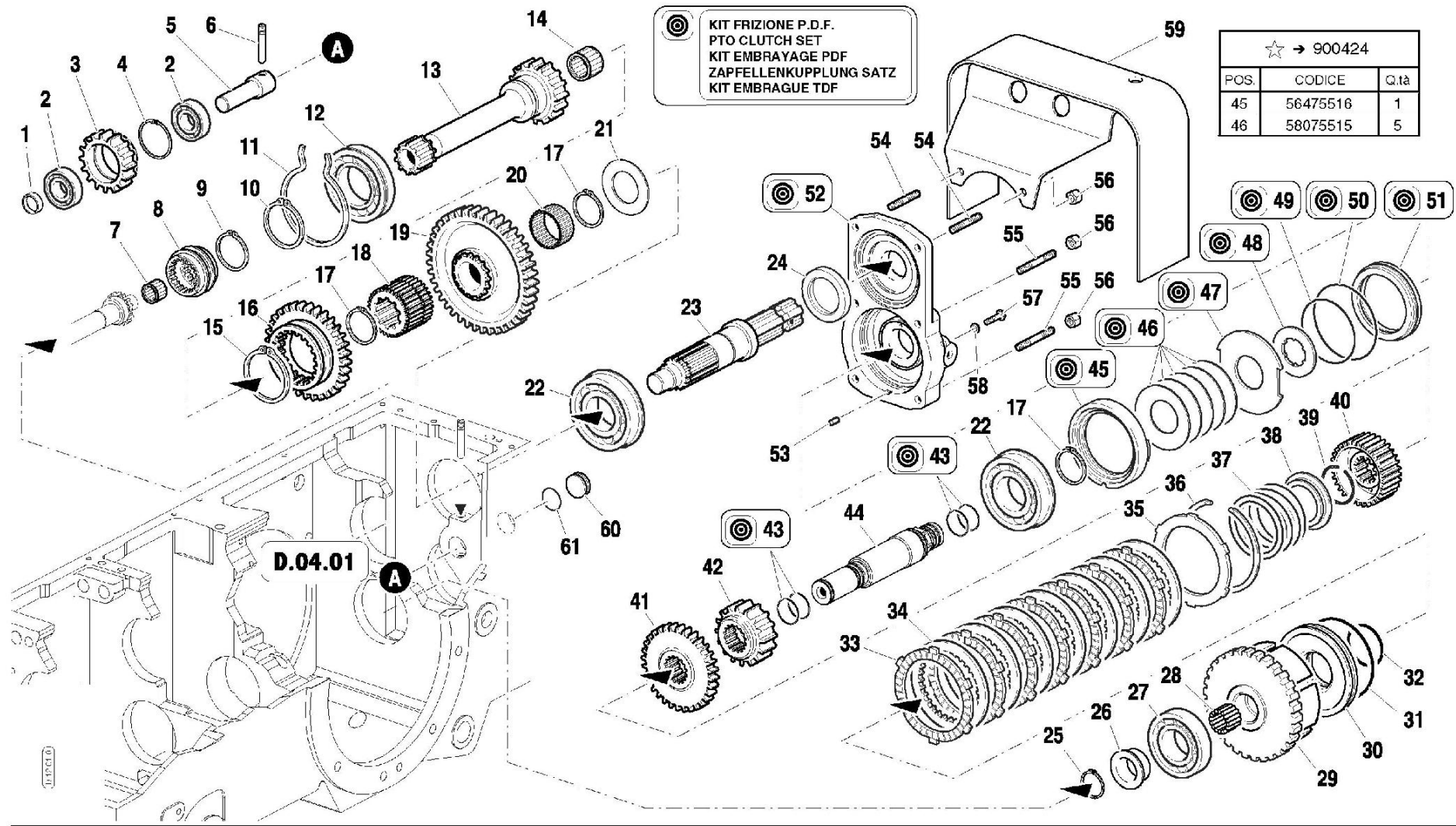
CODE REV
D1201_0_16542



PRESA DI FORZA
POWER TAKE-OFF
PRISE DE FORCE
ZAPFWELLE
TOMA DE FUERZA

Validità				
70	80	90		
RS-M	RS-R	MT	AR-M	AR-R

Tavola	Rev.	Data
D.12.01	0	05/2003



KIT FRIZIONE P.D.F.
 PTO CLUTCH SET
 KIT EMBRAYAGE PDF
 ZAPFELLENKUPPLUNG SATZ
 KIT EMBRAGUE TDF

☆ → 900424		
POS.	CODICE	Q.tà
45	56475516	1
46	58075515	5

D.04.01

DIPLOMA

Pos.	Code	Q.ty	Description	Notes
60	56074313	0	PLUG	
61	F0803199010	0	O-RING 132 (23,81X2,62)	

Pos.	Code	Q.ty	Description	Notes
1	56470299	0	SELECTOR FORK	
2	52370152	0	LEVER	
3	38112200	0	O-RING 3087 (22,00X2,62)	
4	34211054	0	ROLL PIN	
5	56374430	0	PLATE	
6	31132566	0	SCREW TSVEI M8X20 UNI 5933	
7	31112150	0	SCREW TE M8X20 UNI 5739 8G	
8	F0847462000	0	BALL RB-11.112	
9	F0831047000	0	SPRING	
10	56174431	0	LEVER	
11	56170447	0	TIP	
12	F0837534060	0	GRIP	
13	51274080	0	FORK	
14	56370178	0	SCREW	
15	56374076	0	ROD	
16	38111078	0	O-RING 3043 (10,78X2,62)	
17	F0847434000	0	BALL	
18	58070741	0	SPRING	
19	59074077	0	LEVER	
20	59072572	0	LEVER	

SERIAL

POWER TAKE-OFF CONTROLS

Power: 70 CV, 80 CV, 90 CV

CODE REV

D1301_0_16613

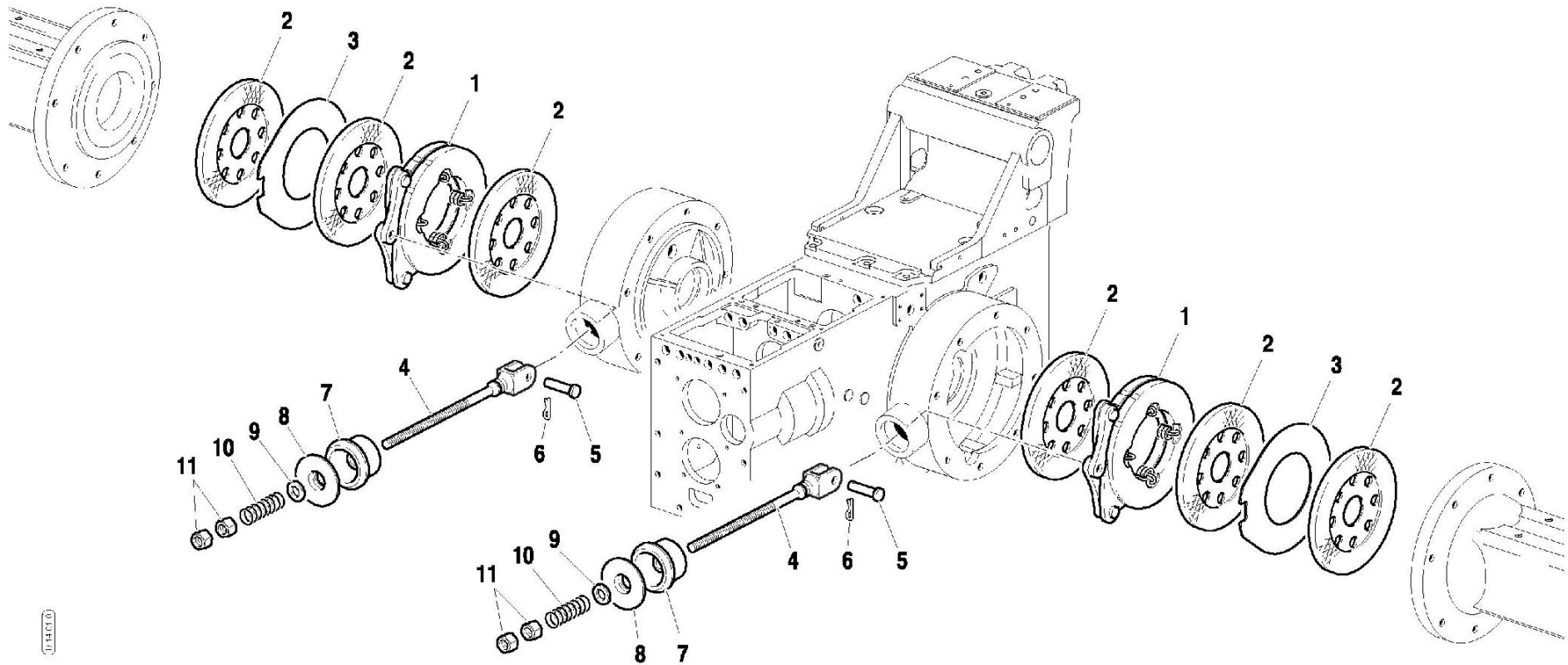
FERRARI

Thor

FRENI
BRAKES
FREINS
BREMSE
FRENOS

Validità		
70	80	90
RS-M	RS-R	MT

Tavola	Rev.	Data
D.14.01	0	05/2003



111111

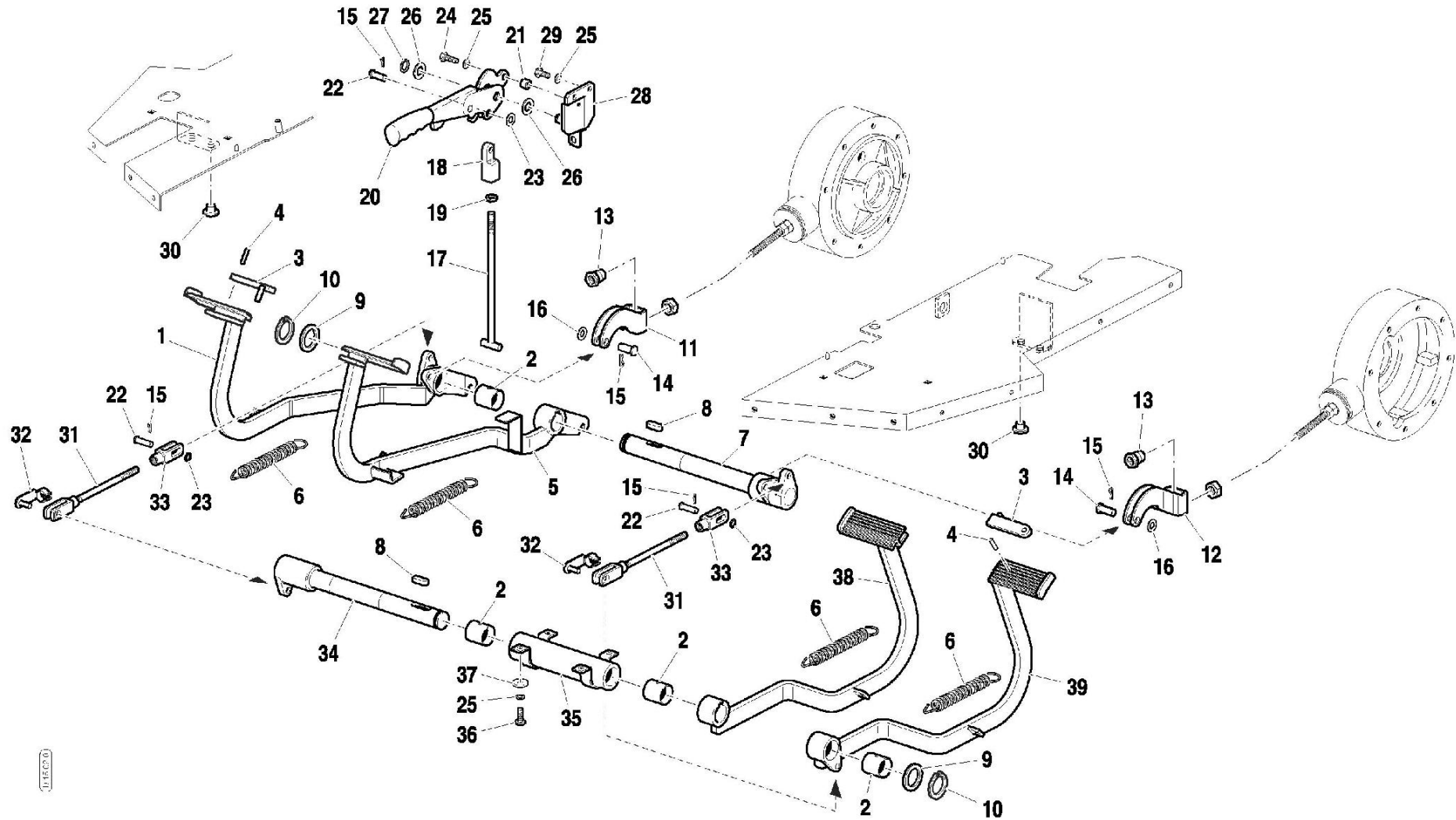
Pos.	Code	Q.ty	Description	Notes
1	58170045	0	BRAKE	
2	58170703	0	BRAKE DISC	
3	58171019	0	SHIM	
4	56370038	0	ROD	
5	56470231	0	PIN	
6	F0810510000	0	SPLIT PIN A2,0X20 UNI 1336	
7	55170047	0	BOOT	
8	56170043	0	COVER	
9	31411130	0	WASHER 13x24	
10	58070366	0	RETAINING SPRING	
11	F0814689020	0	NUT M12 UNI 5589 CL:8	



COMANDI FRENI
BRAKES CONTROLS
COMMANDES DES FREINS
BREMSBETÄTIGUNG
MANDOS DE FRENOS

Validità		
70	80	90
RS-R	MT	

Tavola	Rev.	Data
D.15.02	0	05/2003



Pos.	Code	Q.ty	Description	Notes
1	59070325	0	BRAKE PEDAL	
2	58170026	0	BUSHING	
3	59070398	0	SMALL PLATE	
4	F0851262000	0	PIN 6X26 DIN 7343 CL:C72	
5	59070323	0	BRAKE PEDAL	
6	58070790	0	RESTORING SPRING	
7	59070333	0	SHAFT	
8	34321066	0	KEY A10X8X30 UNI 6604	
9	56170367	0	SHIM	
10	F0801241010	0	SEEGER RING E 30 UNI 7436	
11	56170795	0	RIGHT YOKE	
12	56170796	0	LEFT BRACKET	
13	52373177	0	NUT	
14	56470797	0	PIN	
15	F0810510000	0	SPLIT PIN A2,0X20 UNI 1336	
16	31411130	0	WASHER 13x24	
17	52375215	0	HANDBRAKE TIE-ROD	
18	56371721	0	SMALL BLOCK	
19	F0814627000	0	NUT M10	
20	58174726	0	HAND BRAKE	
21	56171936	0	SPACER	
22	56470365	0	PIN	
23	31411105	0	WASHER 10,5x21	
24	31112151	0	SCREW TE M8X25 UNI 5739 8G	
25	F0843643060	0	WASHER 8	
26	31411150	0	WASHER 15x28	
27	F0801095000	0	SEEGER RING E 14 7435	
28	59074459	0	RETAINER	
29	31112147	0	SCREW TE M8X18 UNI 5739 8G	
30	F0822537050	0	BUFFER	
31	59073242	0	ROD	
32	F0860091020	0	PIN	
33	50970418	0	FORK	
34	59074561	0	SHAFT	

SERIAL

BRAKES CONTROLS
Power: 70 CV, 80 CV, 90 CV

CODE REV

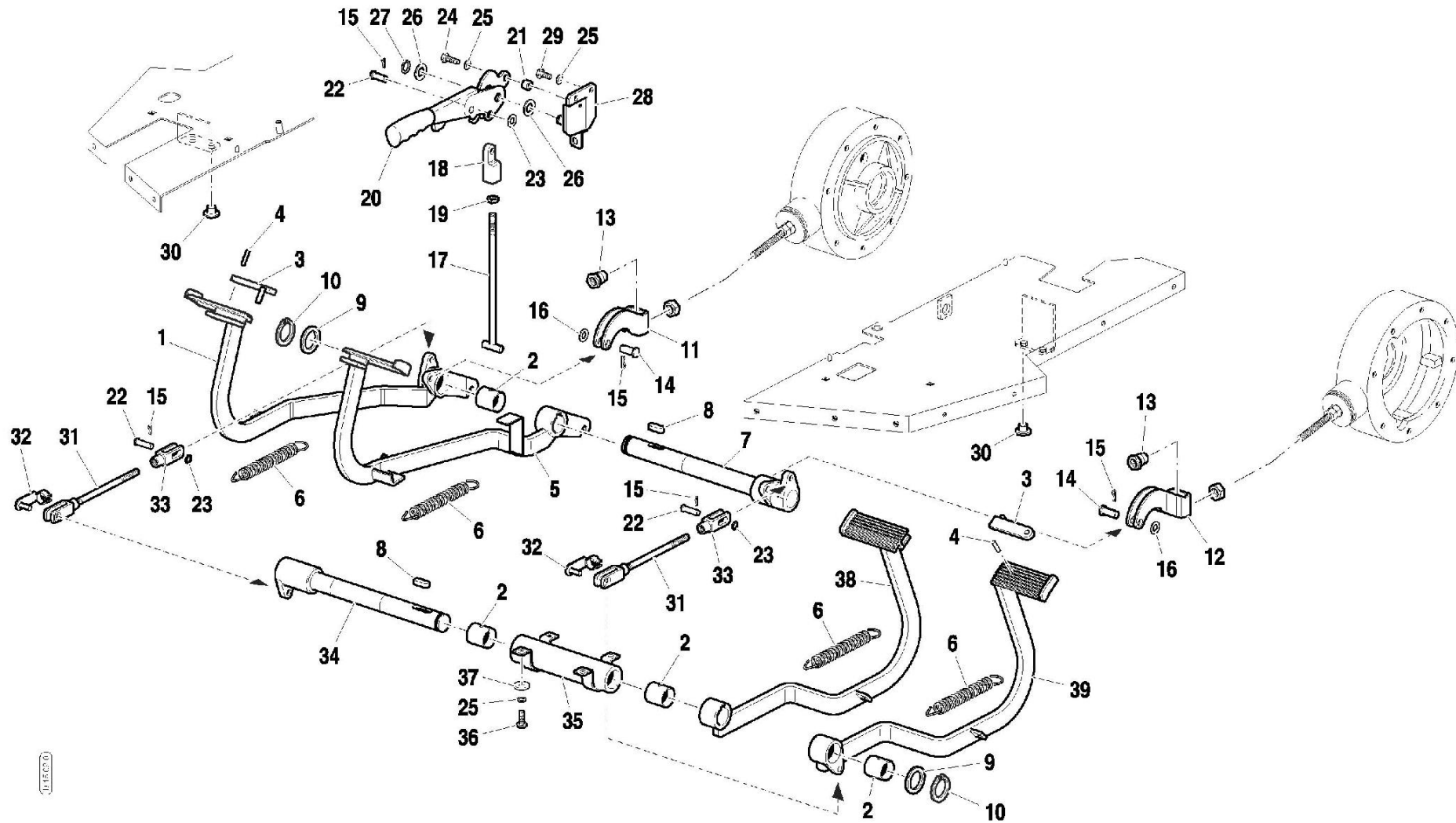
D1502_0_16688



COMANDI FRENI
 BRAKES CONTROLS
 COMMANDES DES FREINS
 BREMSBETÄTIGUNG
 MANDOS DE FRENOS

Validità		
70	80	90
RS-R	MT	

Tavola	Rev.	Data
D.15.02	0	05/2003



Pos.	Code	Q.ty	Description	Notes
35	59070051	0	PIPE	
36	31112146	0	SCREW TE M8X22 UNI 5739 8G	
37	F0843711000	0	WASHER D.24x8,5/4	
38	59074701	0	BRAKE PEDAL	
39	59074702	0	BRAKE PEDAL	

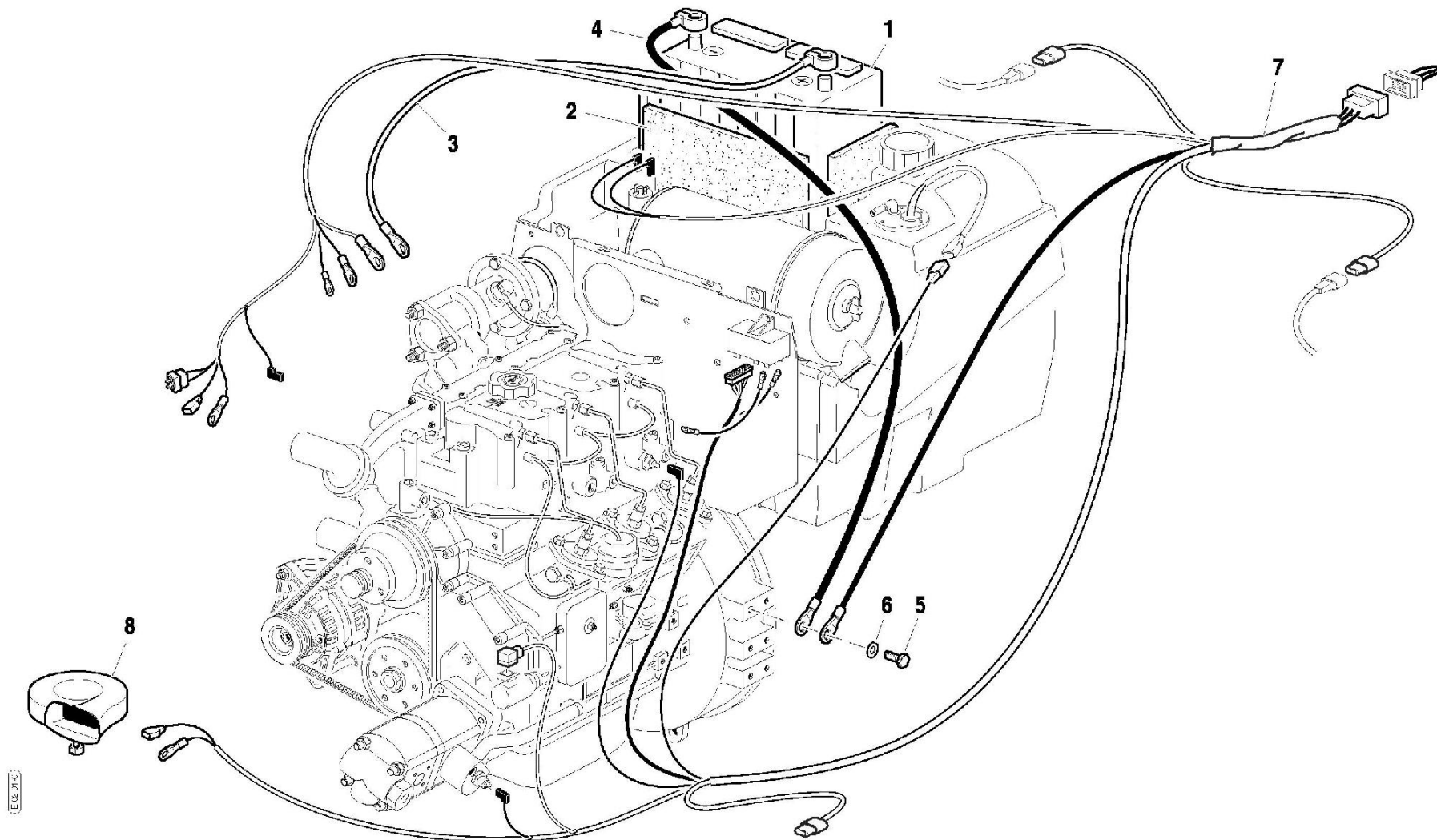
Pos.	Code	Q.ty	Description	Notes
1	58074904	0	CABLE	
2	F0825404050	0	HEADLIGHT	
3	F0861867050	0	SCREW M4,2X19 DIN 7981	
4	58071307	0	CABLE	
5	58071308	0	CABLE	
6	F0825420500	0	LAMP	
6.1	F0825420560	0	GLASS	



IMPIANTO ELETTRICO MOTORE
ENGINE ELECTRIC SYSTEM
ÉQUIPEMENT ÉLECTRIQUE MOTEUR
MOTOR ELEKTRISCHE ANLAGE
INSTALACION ELECTRICA MOTOR

Validità				
70				
RS-M	RS-R	MT	AR-M	AR-R

Tavola	Rev.	Data
E.02.01	0	05/2003



Pos.	Code	Q.ty	Description	Notes
1	F0825480100	0	BATTERY	
2	F0190018909	0	LINING	
3	58071313	0	CABLE	
4	58072081	0	CABLE	
5	31112210	0	SCREW TE M10X20 UNI 5739	
6	F0843755000	0	WASHER 10	
7	58075164	0	CABLE	
8	F0825417000	0	HORN	

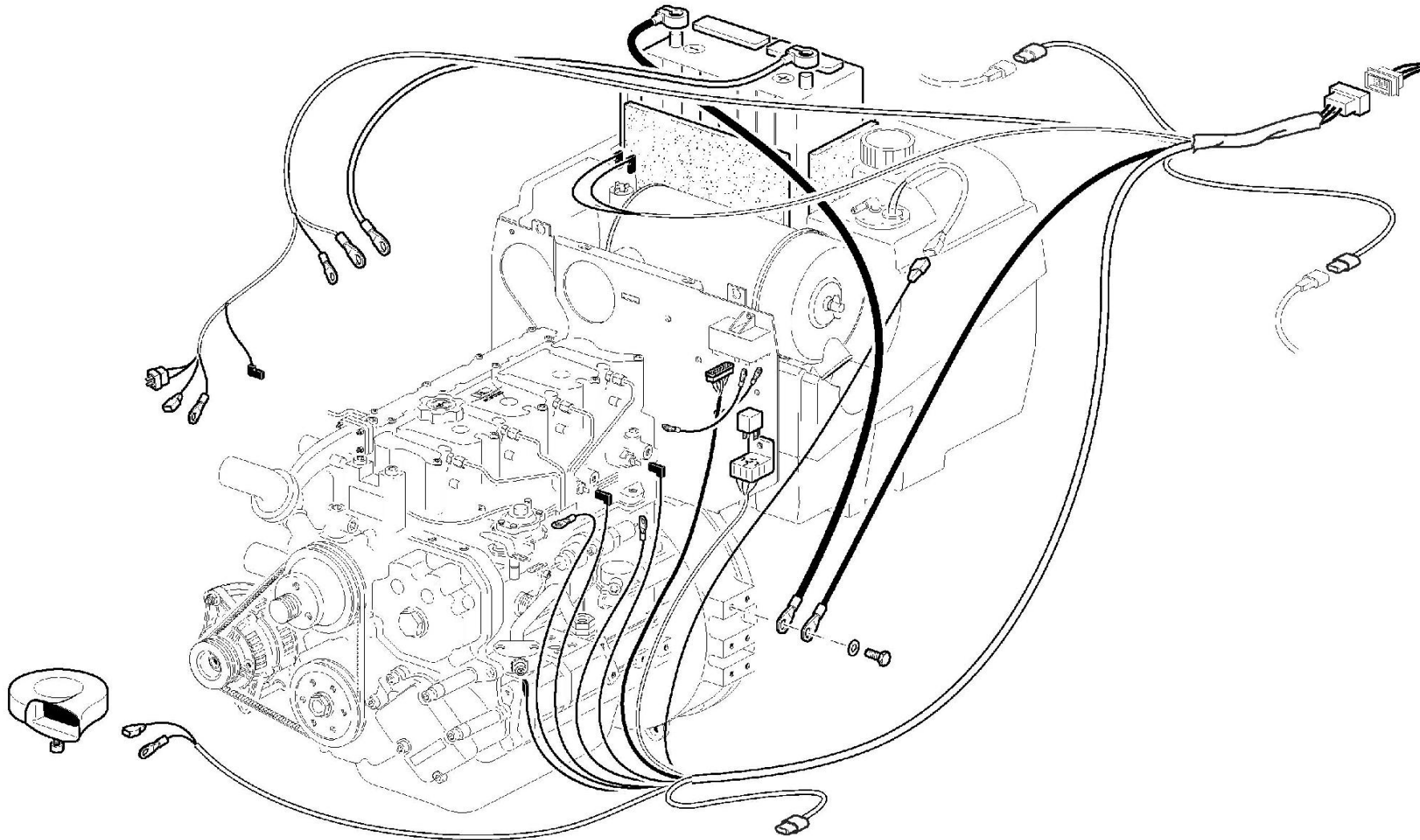
FERRARI

Thor

IMPIANTO ELETTRICO MOTORE
ENGINE ELECTRIC SYSTEM
ÉQUIPEMENT ÉLECTRIQUE MOTEUR
MOTOR ELEKTRISCHE ANLAGE
INSTALACION ELECTRICA MOTOR

Validità				
80		90		
RS-M	RS-R	MT	AR-M	AR-R

Tavola	Rev.	Data
E.02.02	0	05/2003



Pos.	Code	Q.ty	Description	Notes
1	F0825480100	0	BATTERY	
2	F0190018909	0	LINING	
3	58071313	0	CABLE	
4	58072081	0	CABLE	
5	31112210	0	SCREW TE M10X20 UNI 5739	
6	F0843755000	0	WASHER 10	
7	58074903	0	CABLE	
7.1	58170700	0	RELAY	
8	F0825417000	0	HORN	

SERIAL

ENGINE ELECTRIC SYSTEM

Power: 80 CV, 90 CV

CODE REV

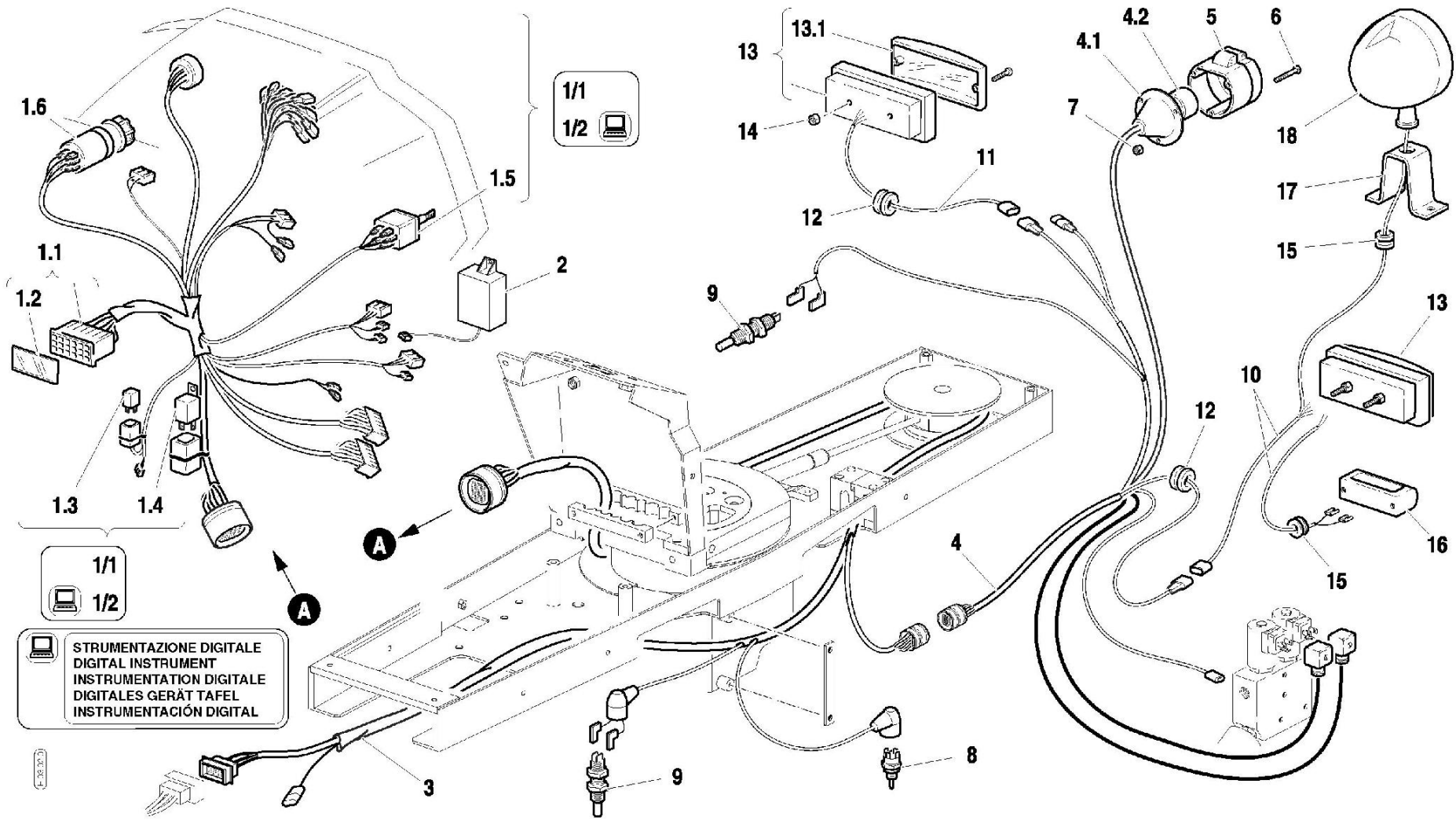
E0202_0_16806



IMPIANTO ELETTRICO POSTERIORE
 REAR ELECTRICAL SYSTEM
 ÉQUIPEMENT ÉLECTRIQUE POSTÉRIEUR
 HINTERELEKTRISCHEANLAGE
 INSTALACION ELECTRICA POSTERIOR

Validità		
70	80	90
RS-R	MT	AR-R

Tavola	Rev.	Data
E.03.02	0	05/2003



Pos.	Code	Q.ty	Description	Notes
1/1	58074901	0	CABLE	
1.1	58170453	0	FUSE BOX	
1/2	58075384	0	CABLE	
1.2	58172267	0	COVER	
1.3	59900242	0	RELAY	
1.4	F0825139000	0	FLASHER	
1.5	F0825436000	0	SWITCH	
1.6	F0825436003	0	SWITCH	
2	58175700	0	SWITCHING DEVICE	
3	58074906	0	CABLE	
4	58074908	0	CABLE	
4.1	58170572	0	CAP	
4.2	58170571	0	ATTACHMENT PLUG	
5	F0825438000	0	SOCKET	
6	F0861941000	0	SCREW M5X35 UNI 6107	
7	F0814525000	0	NUT M5	
8	F0825117000	0	SWITCH	
9	F0825488000	0	SWITCH	
10	58072568	0	CABLE	
11	58071305	0	CABLE	
12	58170947	0	CABLE GLAND	
13	F0825420600	0	LAMP	
13.1	F0825420660	0	GLASS	
14	F0814529080	0	SELFLOCK NUT M5	
15	F0825414000	0	CABLE GLAND 7-15-18,5-2,5	
16	30000506	0	LAMP	
17	F0190035152	0	SUPPORT	
18	F0825493000	0	HEADLIGHT	

SERIAL

REAR ELECTRICAL SYSTEM

Power: 70 CV, 80 CV, 90 CV

CODE REV

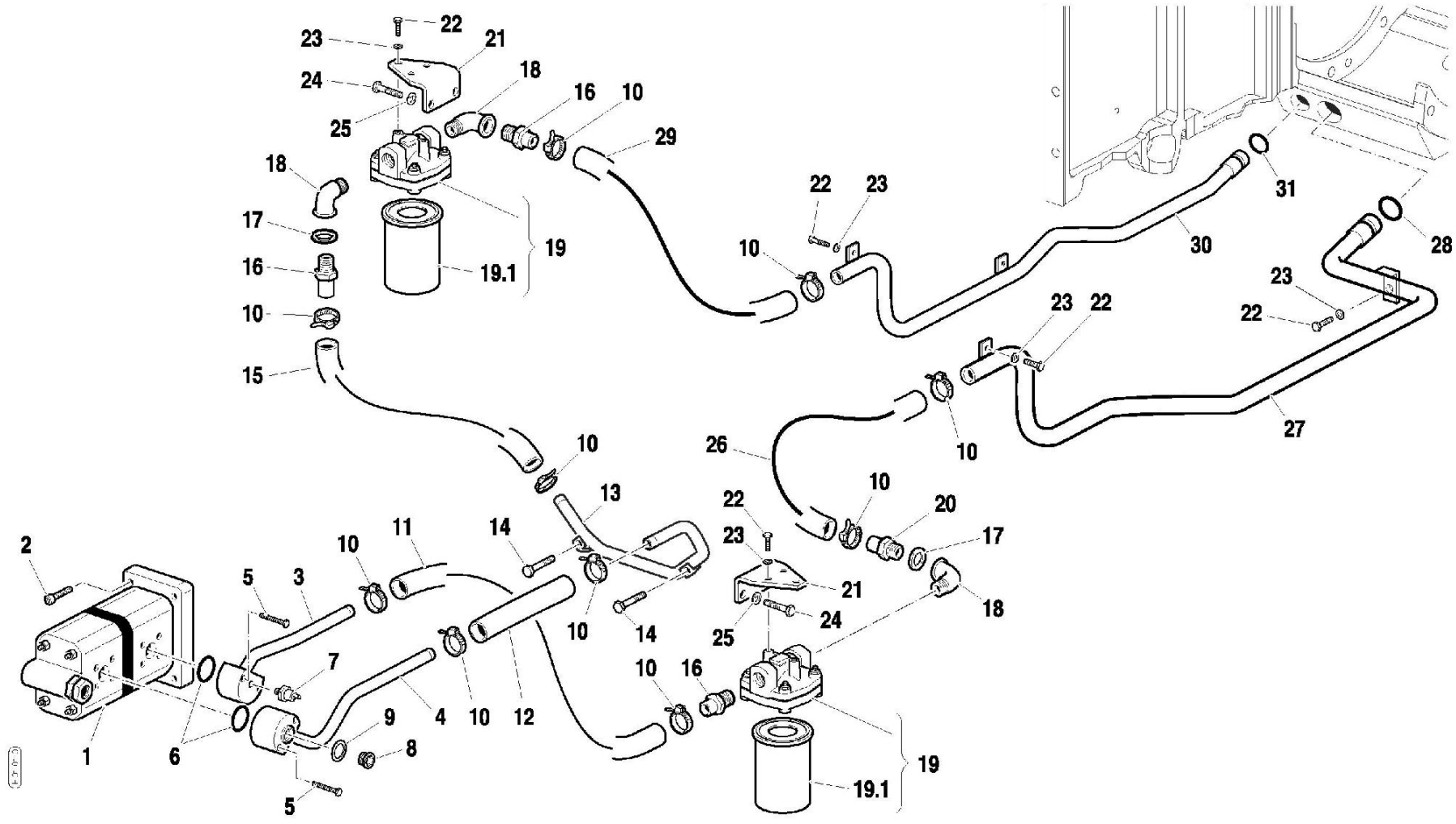
E0302_0_16844



IMPIANTO IDRAULICO DOPPIA ASPIRAZIONE OLIO
 HYDR. SYSTEM DOUBLE OIL SUCTION
 INSTALLATION HYDR. SUCCION DOUBLE DE L'HUILE
 HYDR. ANLAGE DOPPELTE ÖLSAUGUNG
 INSTALACION HIDRAULICA DOBLA ASPIRACION DEL ACEITE

Validità		
70		
RS-M	RS-R	MT

Tavola	Rev.	Data
F.01.01	0	05/2003



Pos.	Code	Q.ty	Description	Notes
1	58175006	0	LIFT PUMP	
2	31152083	0	SCREW TCEI M8X30 UNI 5931	
3	59074989	0	SUCTION PIPE	
4	59074990	0	SUCTION PIPE	
5	31112155	0	SCREW TE M8X45 UNI 5739 8G	
6	38112200	0	O-RING 3087 (22,00X2,62)	
7	58175122	0	DIGITAL INSTRUMENT	
8	30000777	0	PLUG 3/8 DIN 908	
9	F0843907000	0	COPPER WASHER 13,66x19/1,5	
10	F0817523010	0	CLAMP	
11	58173505	0	FLEXIBLE HOSE	
12	58170352	0	FLEXIBLE HOSE	
13	59075223	0	SUCTION PIPE	
14	31112211	0	SCREW TE M10X30 UNI 5739	
15	58173543	0	FLEXIBLE HOSE	
16	56170350	0	PIPE FITTING	
17	F0824185000	0	COPPER WASHER 26X34X1,5	
18	F0840563000	0	PIPE FITTING	
19	58175014	0	FILTER	
19.1	F0825718020	0	FILTER INSERT	
20	56170351	0	PIPE FITTING	
21	56174725	0	OIL FILTER BRACKET	
22	31111151	0	SCREW TE M8X16 UNI 5739 8G	
23	F0843643060	0	WASHER 8	
24	31112210	0	SCREW TE M10X20 UNI 5739	
25	F0843755000	0	WASHER 10	
26	58172806	0	FLEXIBLE HOSE	
27	59074752	0	PIPE	
28	F0803208020	0	O-RING 3131 (32,99x2,62)	
29	58173506	0	FLEXIBLE HOSE	
30	59074747	0	PIPE	
31	38112507	0	O-RING 3100 (25,07X2,62)	

SERIAL

HYDR. SYSTEM DOUBLE OIL SUCTION

Power: 70 CV

CODE REV

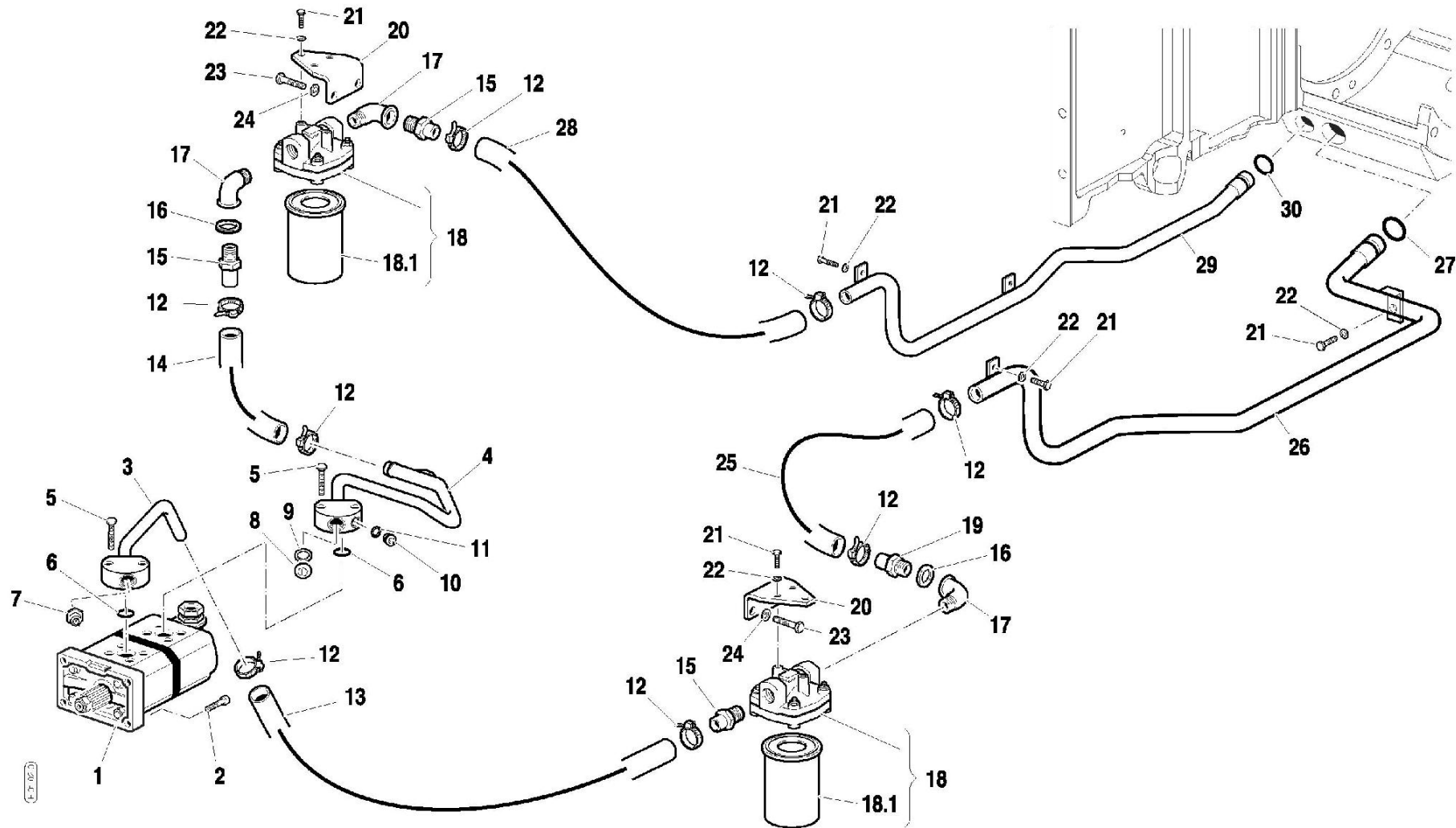
F0101_0_16889



IMPIANTO IDRAULICO DOPPIA ASPIRAZIONE OLIO
 HYDR. SYSTEM DOUBLE OIL SUCTION
 INSTALLATION HYDR. SUCCION DOUBLE DE L'HUILE
 HYDR. ANLAGE DOPPELTE ÖLSAUGUNG
 INSTALACION HIDRAULICA DOBLA ASPIRACION DEL ACEITE

Validità		
	80	90
RS-M	RS-R	MT

Tavola	Rev.	Data
F.01.02	0	05/2003



Pos.	Code	Q.ty	Description	Notes
1	58174774	0	LIFT PUMP	
2	31152083	0	SCREW TCEI M8X30 UNI 5931	
3	59074750	0	SUCTION PIPE	
4	59074745	0	SUCTION PIPE	
5	31112155	0	SCREW TE M8X45 UNI 5739 8G	
6	38112200	0	O-RING 3087 (22,00X2,62)	
7	58175122	0	DIGITAL INSTRUMENT	
8	30000777	0	PLUG 3/8 DIN 908	
9	F0824110000	0	COPPER WASHER 3/8 GAS	
10	F0852538050	0	PLUG	
11	F0843907000	0	COPPER WASHER 13,66x19/1,5	
12	F0817523010	0	CLAMP	
13	58170352	0	FLEXIBLE HOSE	
14	58173505	0	FLEXIBLE HOSE	
15	56170350	0	PIPE FITTING	
16	F0824185000	0	COPPER WASHER 26X34X1,5	
17	F0840563000	0	PIPE FITTING	
18	58175014	0	FILTER	
18.1	F0825718020	0	FILTER INSERT	
19	56170351	0	PIPE FITTING	
20	56174725	0	OIL FILTER BRACKET	
21	31111151	0	SCREW TE M8X16 UNI 5739 8G	
22	F0843643060	0	WASHER 8	
23	31112210	0	SCREW TE M10X20 UNI 5739	
24	F0843755000	0	WASHER 10	
25	58172806	0	FLEXIBLE HOSE	
26	59074752	0	PIPE	
27	F0803208020	0	O-RING 3131 (32,99x2,62)	
28	58173506	0	FLEXIBLE HOSE	
29	59074747	0	PIPE	
30	38112507	0	O-RING 3100 (25,07X2,62)	

SERIAL

HYDR. SYSTEM DOUBLE OIL SUCTION

Power: 80 CV, 90 CV

CODE REV

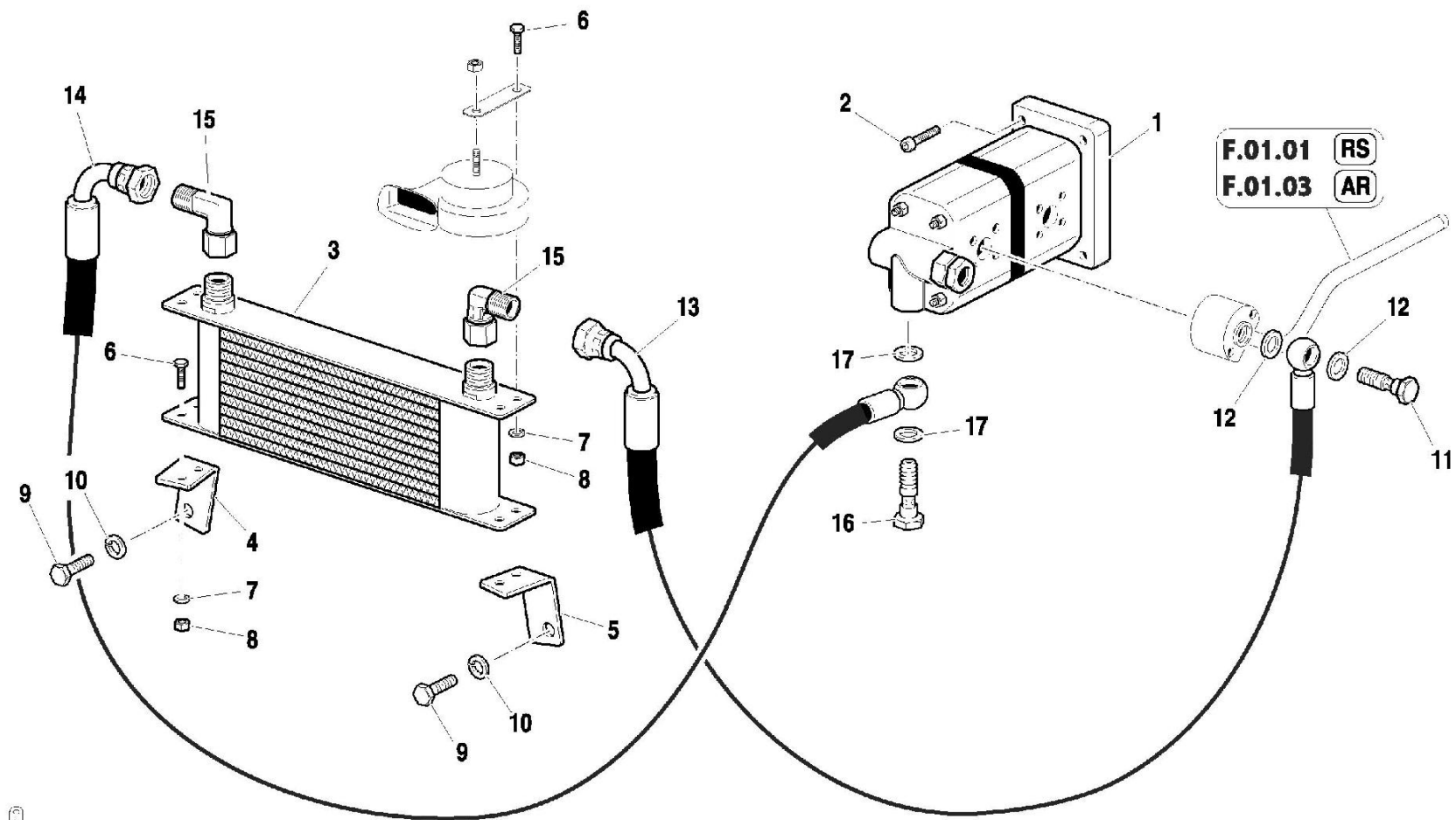
F0102_0_16922



IMPIANTO IDRAULICO : SCAMBIATORE DI CALORE
 HYDR. SYSTEM : HEAT EXCHANGER
 INSTALLATION HYDR. : ÉCHANGEUR DE CHALEUR
 HYDR. ANLAGE : WÄRMETAUSCHER
 INSTALACION HIDRAULICA : INTERCAMBIADOR DE CALOR

Validità				
70				
RS-M	RS-R	MT	AR-M	AR-R

Tavola	Rev.	Data
F.02.01	0	05/2003



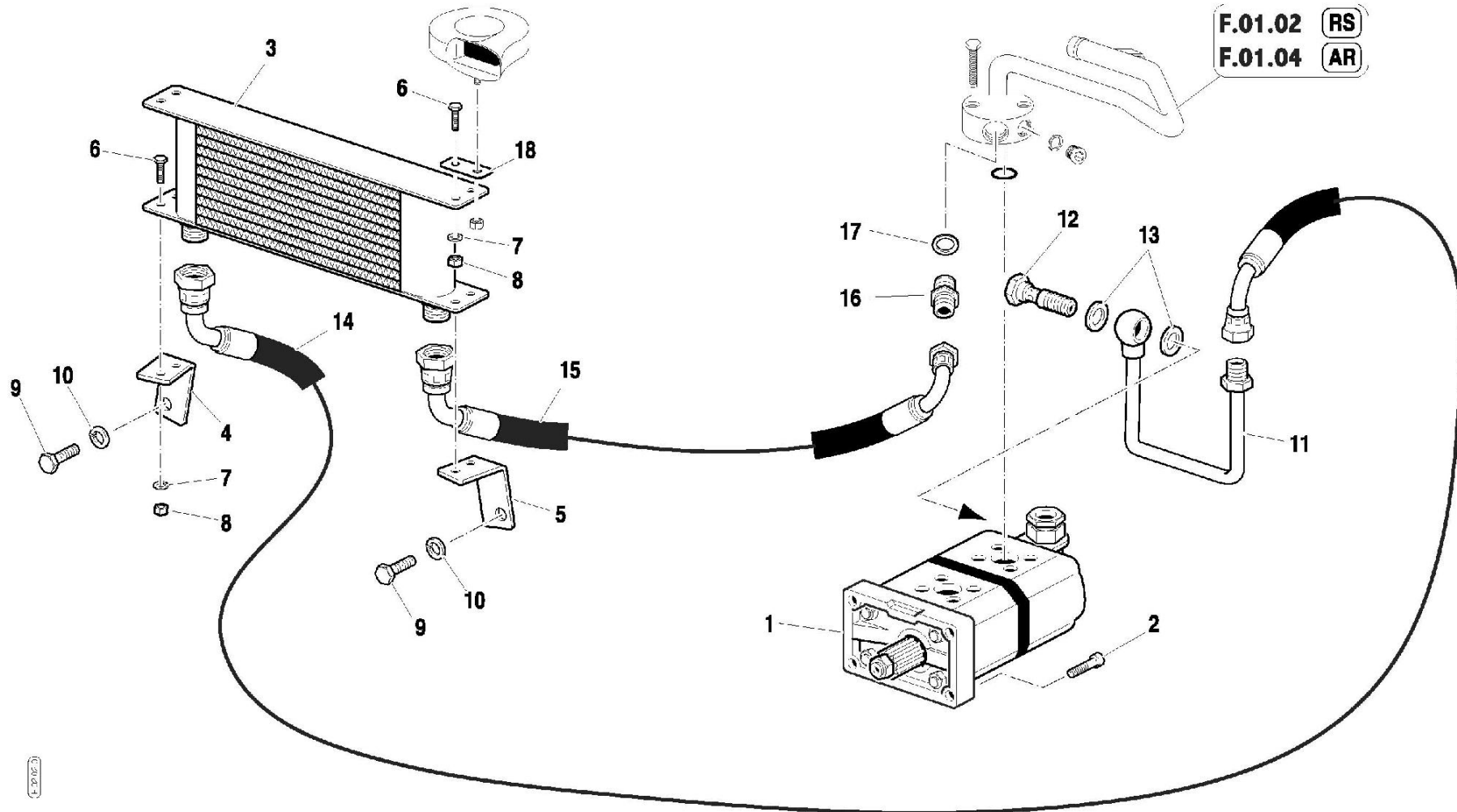
Pos.	Code	Q.ty	Description	Notes
1	58175007	0	LIFT PUMP	
2	31152083	0	SCREW TCEI M8X30 UNI 5931	
3	58175222	0	OIL EXCHANGER	
4	56174987	0	RIGHT YOKE	
5	56174988	0	LEFT BRACKET	
6	31112090	0	SCREW TE M6X16 UNI 5739 8G	
7	F0843570000	0	WASHER 6	
8	31212060	0	NUT M6	
9	31112210	0	SCREW TE M10X20 UNI 5739	
10	F0843755000	0	WASHER 10	
11	F0843110010	0	THREADED TERMINAL END M18x1,5	
12	F0824113000	0	COPPER WASHER 18X24/1,5	
13	58075539	0	FLEXIBLE HOSE	
14	58075538	0	FLEXIBLE HOSE	
15	F0840564050	0	ADAPTER PART	
16	F0843109020	0	PIPE FITTING	
17	F0824110000	0	COPPER WASHER 3/8 GAS	



IMPIANTO IDRAULICO : SCAMBIATORE DI CALORE
 HYDR. SYSTEM : HEAT EXCHANGER
 INSTALLATION HYDR. : ÉCHANGEUR DE CHALEUR
 HYDR. ANLAGE : WÄRMETAUSCHER
 INSTALACION HIDRAULICA : INTERCAMBIADOR DE CALOR

Validità				
	80	90		
RS-M	RS-R	MT	AR-M	AR-R

Tavola	Rev.	Data
F.02.02	0	05/2003



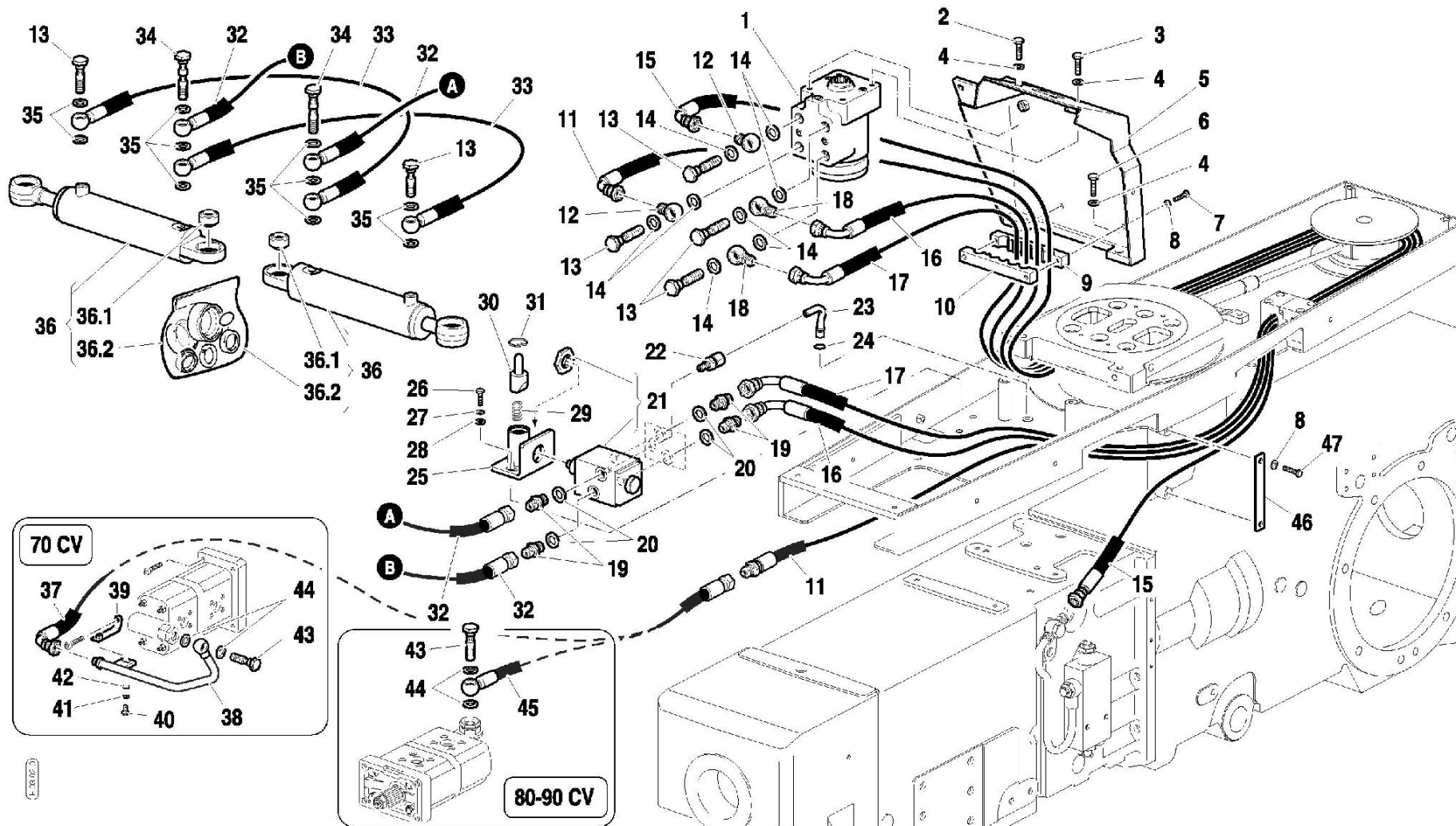
Pos.	Code	Q.ty	Description	Notes
1	58174775	0	LIFT PUMP	
2	31152083	0	SCREW TCEI M8X30 UNI 5931	
3	58175222	0	OIL EXCHANGER	
4	56174987	0	RIGHT YOKE	
5	56174988	0	LEFT BRACKET	
6	31112090	0	SCREW TE M6X16 UNI 5739 8G	
7	F0843570000	0	WASHER 6	
8	31212060	0	NUT M6	
9	31112210	0	SCREW TE M10X20 UNI 5739	
10	F0843755000	0	WASHER 10	
11	59075063	0	PRESSURE PIPE	
12	56172547	0	THREADED TERMINAL END	
13	F0824113000	0	COPPER WASHER 18X24/1,5	
14	58075228	0	PRESSURE PIPE	
15	58075229	0	FLEXIBLE HOSE	
16	F0835024010	0	NIPPLE	
17	F0824110000	0	COPPER WASHER 3/8 GAS	
18	56175294	0	BRACKET	



IMPIANTO IDRAULICO STERZO
 STEERING HYDR. SYSTEM
 INSTALLATION HYDR. DIRECTION
 LENKUNGSHYDR. ANLAGE
 INSTALACION HYDR. DIRECCION

Validità		
70	80	90
RS-R	MT	

Tavola	Rev.	Data
F.03.02	0	05/2003



Pos.	Code	Q.ty	Description	Notes
1	58171160	0	HYDROSTEERING	
2	31112210	0	SCREW TE M10X20 UNI 5739	
3	31112219	0	SCREW TE M10X25 UNI 5739	
4	F0843755000	0	WASHER 10	
5	59074332	0	SUPPORT	
6	31112211	0	SCREW TE M10X30 UNI 5739	
7	31112086	0	SCREW TE M6X30 UNI 5737 8G	
8	F0843570000	0	WASHER 6	
9	56174481	0	COMB	
10	56174480	0	COMB	
11	58074836	0	FLEXIBLE HOSE	
12	F0842512000	0	PIPE FITTING	
13	F0843116000	0	PIPE FITTING 1/2	
14	F0824141000	0	COPPER WASHER 21x27/1,5	
15	58074738	0	RETURN PIPE	
16	58074891	0	FLEXIBLE HOSE	
17	58074740	0	FLEXIBLE HOSE	
18	F0835040030	0	PIPE FITTING	
19	F0835031010	0	NIPPLE	
20	F0843907000	0	COPPER WASHER 13,66x19/1,5	
21	P22733200000	0	D.A. VALVE	
22	58174547	0	NIPPLE	
23	59074546	0	EXHAUST	
24	F0803050000	0	O-RING 2025	
25	59074482	0	PLATE	
26	31112150	0	SCREW TE M8X20 UNI 5739 8G	
27	F0843643060	0	WASHER 8	
28	31411084	0	WASHER 8,4x17	
29	F0831065000	0	SPRING	
30	56174485	0	CURSOR	
31	F0801163000	0	SEEGER RING I 22 UNI 7437	
32	58074734	0	FLEXIBLE HOSE	
33	58074733	0	CONNECTION PIPE	
34	30000211	0	HOLLOW SCREW M14X1,5	

SERIAL

STEERING HYDR. SYSTEM

Power: 70 CV, 80 CV, 90 CV

CODE REV

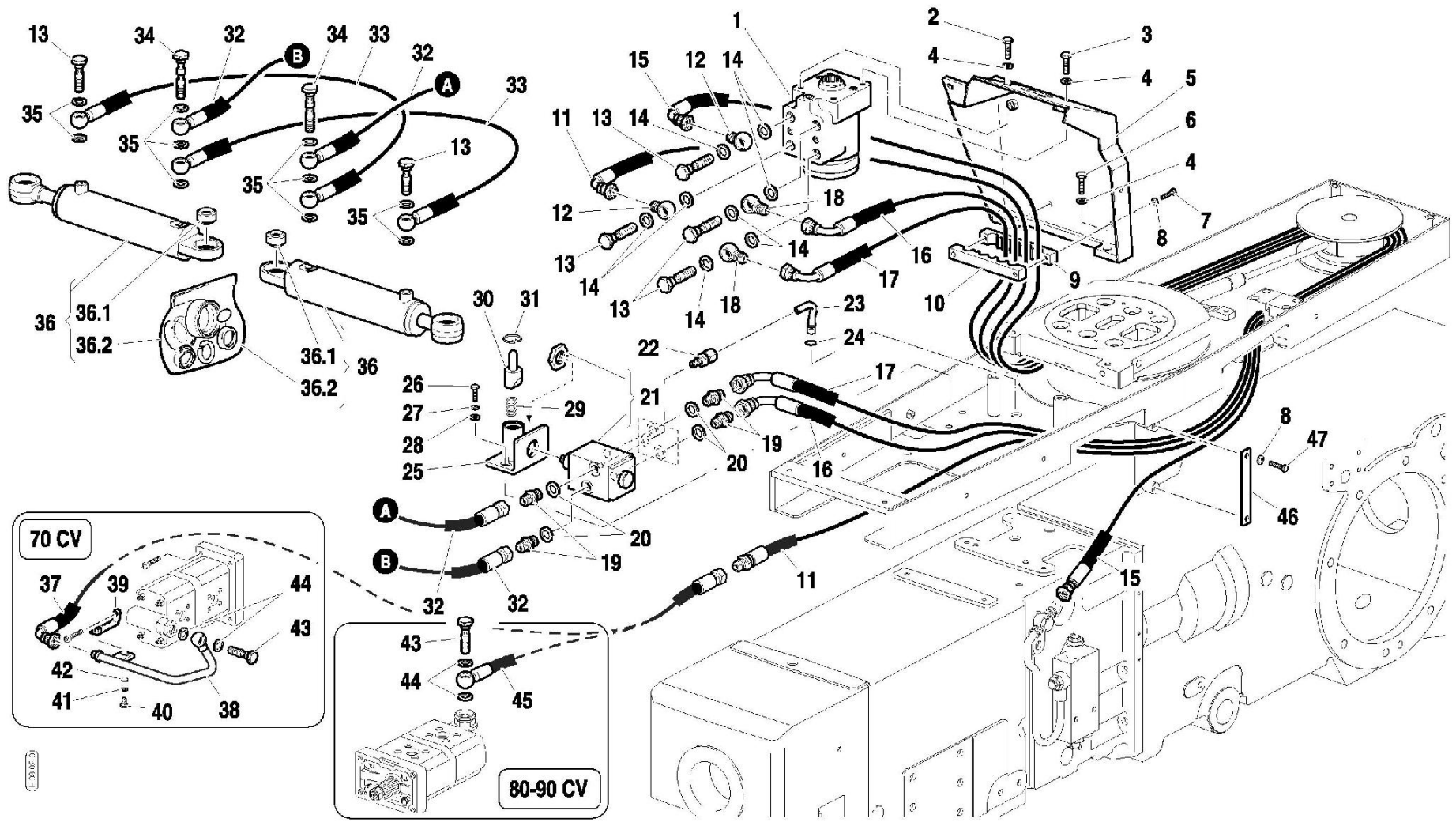
F0302_0_17097



IMPIANTO IDRAULICO STERZO
 STEERING HYDR. SYSTEM
 INSTALLATION HYDR. DIRECTION
 LENKUNGSHYDR. ANLAGE
 INSTALACION HYDR. DIRECCION

Validità		
70	80	90
RS-R	MT	

Tavola	Rev.	Data
F.03.02	0	05/2003



Pos.	Code	Q.ty	Description	Notes
35	F0843948000	0	COPPER WASHER 14,0x20/1,5	
36	58174710	0	STEERING CYLINDER	
36.1	58171739	0	BALL JOINT	
36.2	59900339	0	GASKET SET	
37	58075248	0	FLEXIBLE HOSE	
38	59075224	0	PRESSURE PIPE	
39	59075225	0	FIXING BRACKET	
40	31112090	0	SCREW TE M6X16 UNI 5739 8G	
41	F0843570000	0	WASHER 6	
42	31411064	0	WASHER 6,4x12,5	
43	F0843110010	0	THREADED TERMINAL END M18x1,5	
44	F0824113000	0	COPPER WASHER 18X24/1,5	
45	58074739	0	PRESSURE PIPE	
46	56174494	0	SMALL PLATE	
47	F0862129000	0	SCREW M6X18 UNI 5739 8.8	

SERIAL

STEERING HYDR. SYSTEM

Power: 70 CV, 80 CV, 90 CV

CODE REV

F0302_0_17097

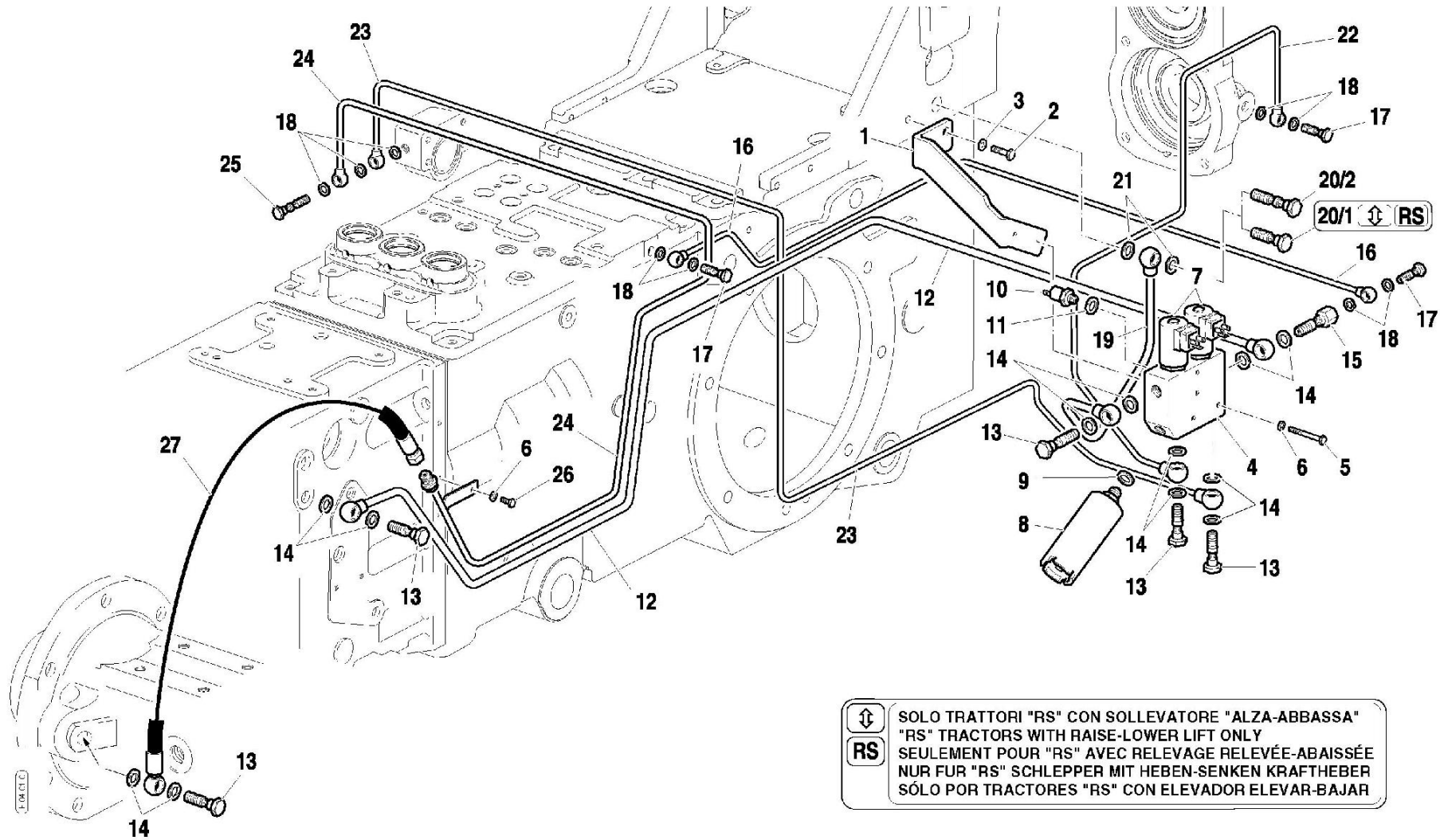


IMPIANTO IDRAULICO PRESA DI FORZA E BLOCC. DIFFERENZIALE
 PTO /DIFFERENTIAL LOCK HYDR. SYSTEM
 INSTALLATIO HYDR. PDF/ BLOCAGE DU DIFFERENTIEL
 ZAPFWELLE/DIFFERENTIALSPERRE HYDR. ANLAGE
 INSTALACION HIDRALICA TDF/ BLOQUEO DIFERENCIAL

Validità			
70	80	90	
RS-M	RS-R	AR-M	AR-R

Tavola	Rev.	Data
F.04.01	0	05/2003

1/1



Pos.	Code	Q.ty	Description	Notes
1	56174665	0	SUPPORT	
2	31112150	0	SCREW TE M8X20 UNI 5739 8G	
3	F0843643060	0	WASHER 8	
4	56172749	0	SMALL BLOCK	
5	F0862345000	0	SCREW M6X40 UNI 5737	
6	F0843570000	0	WASHER 6	
7	58172463	0	ELECTRO VALVE	
8	59271011	0	UNIT	
9	F0843948000	0	COPPER WASHER 14,0x20/1,5	
10	58173399	0	PRESSURE SWITCH	
11	F0843841000	0	COPPER WASHER 12,0x18/1,5	
12	59074742	0	PRESSURE PIPE	
13	P98843800000	0	HOLLOW SCREW 1/4	
14	F0843907000	0	COPPER WASHER 13,66x19/1,5	
15	56172072	0	PIPE FITTING	
16	59074640	0	PIPE	
17	F0843102000	0	THR. TERMINAL END M10X1,25X20	
18	F0843771000	0	COPPER WASHER 10,0x16/1	
19	59074744	0	EXHAUST	
20/1	F0843109020	0	PIPE FITTING	
20/2	58172589	0	THREADED TERMINAL END	
21	F0824110000	0	COPPER WASHER 3/8 GAS	
22	59074743	0	PRESSURE PIPE	
23	59074748	0	PRESSURE PIPE	
24	59074749	0	PRESSURE PIPE	
25	58174732	0	HOLLOW SCREW	
26	31111090	0	SCREW TE M5X10 UNI 5739 8G	
27	58074736	0	FLEXIBLE HOSE	

SERIAL

PTO /DIFFERENTIAL LOCK HYDR. SYSTEM

Power: 70 CV, 80 CV, 90 CV

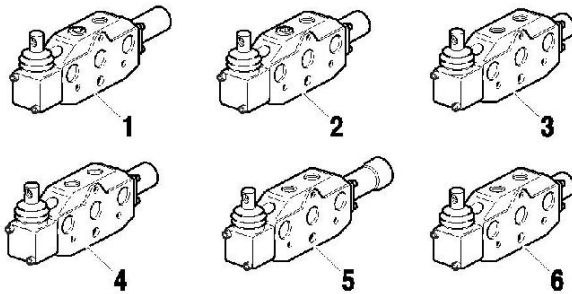
CODE REV

F0401_0_17228

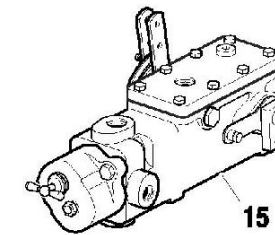
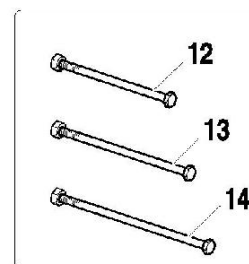
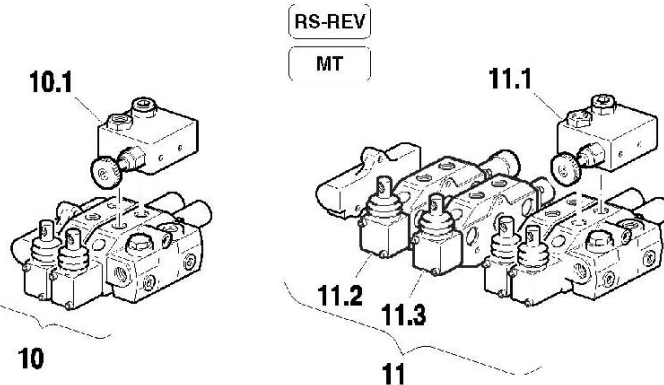
Validità				
70	80	90		
RS-M	RS-R	MT	AR-M	AR-R

Tavola	Rev.	Data
I.01.01	0	05/2003

BUCHER HIDROIRMA



- VEDI TAVOLE GRUPPI...
- SEE TABLES OF GROUPS...
- VOIR TABLES GROUPES...
- SIEHE GRUPPETAFFEL...
- MIRAR TABLAS GRUPOS...



VEDI TAVOLE GRUPPO...
SEE TABLES OF GROUP...
VOIR TABLES GROUPE...
SIEHE GRUPPETAFFEL...
MIRAR TABLAS GRUPO...



Pos.	Code	Q.ty	Description	Notes
1	58172011	0	S.A. VALVE	
2	58172707	0	S.A. VALVE	
3	58172012	0	D.A. VALVE	
4	58172013	0	D.A. VALVE	
5	58172014	0	D.A. VALVE	
6	58172240	0	D.A. VALVE	
7	58172304	0	HEAD	
8	58172489	0	COVER	
9	58173361	0	COVER	
10	58171925	0	FLOATING DEVICE GROUP	
10.1	59900230	0	VALVE	
11	58174974	0	FLOATING DEVICE GROUP	
11.1	59900230	0	VALVE	
11.2	58172014	0	D.A. VALVE	
11.3	58172240	0	D.A. VALVE	
12	58172016	0	ROD	
13	58172017	0	ROD	
14	58172018	0	ROD	
15	58175191	0	DISTRIBUTOR	

FERRARI*Thor*

SOLLEVATORE ALZA - ABBASSA
RAISE/LOWER LIFT
RELEVAGE RELEVER/ABAISSE
HEBEN/SENKEN KRAFTHEBER
ELEVADOR ELEVAR/BAJAR

Validità

70	80	90
RS-M	RS-R	MT
AR-M	AR-R	

Tavola

L.01.01

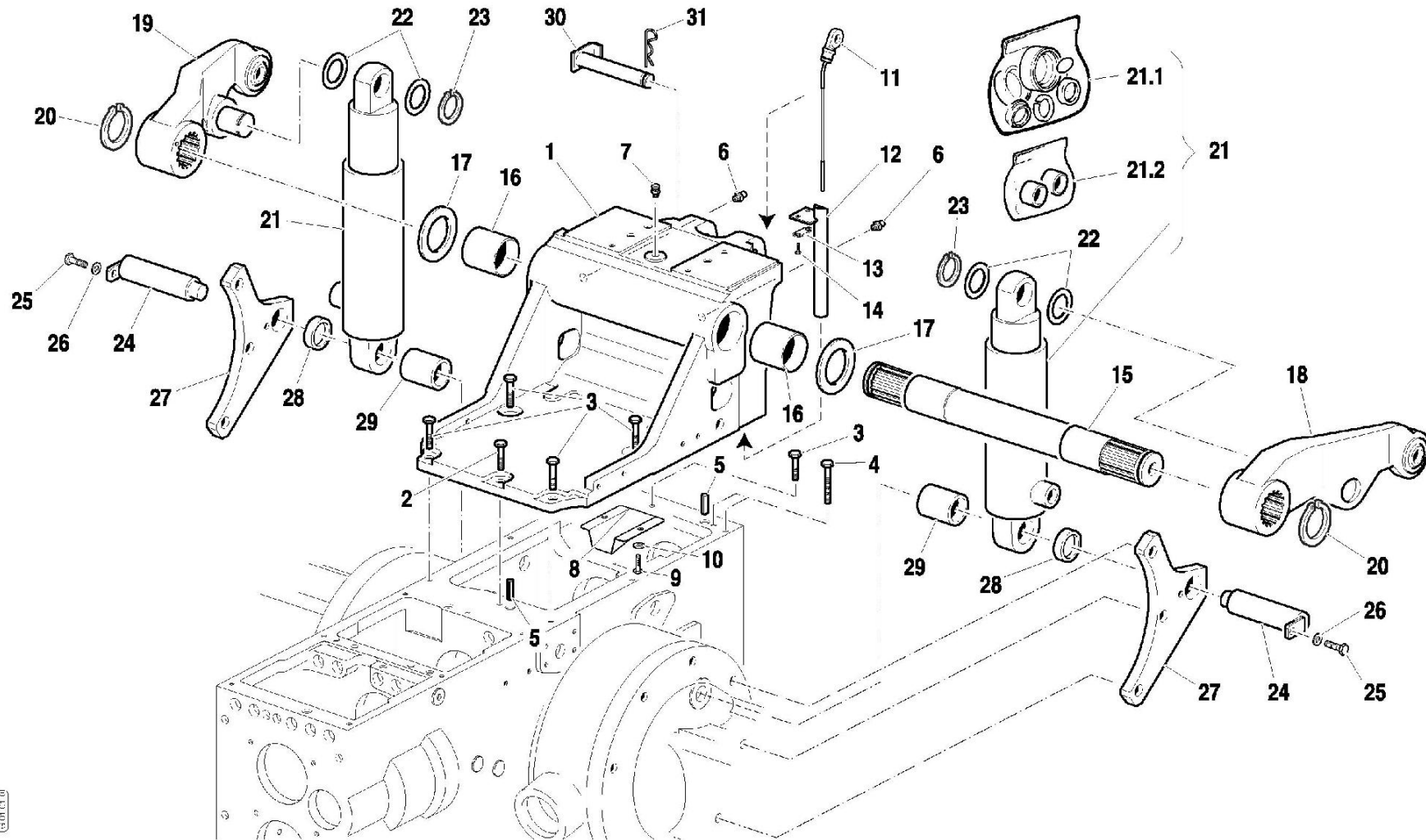
Rev.

0

Data

05/2003

1/1



Pos.	Code	Q.ty	Description	Notes
1	51174315	0	SUPPORT	
2	31112219	0	SCREW TE M10X25 UNI 5739	
3	31112211	0	SCREW TE M10X30 UNI 5739	
4	F0863429000	0	SCREW M10X45 UNI 5737	
5	56570016	0	CYLINDRICAL PLUG	
6	F0826056000	0	LUBRICATOR M10 UNI 7663A	
7	58075603	0	PLUG	
8	56173638	0	GUARD	
9	31112149	0	SCREW TE M8X12 UNI 5739 8G	
10	F0843643060	0	WASHER 8	
11	58174581	0	OIL LEVEL ROD	
12	59074443	0	PIPE	
13	52071702	0	CLAMPING PLATE	
14	31112082	0	SCREW TE M6X12 UNI 5739 8G	
15	56570284	0	SHAFT	
16	58170291	0	BUSHING	
17	56370288	0	SHIM	
18	59070289	0	LIFTING ARM	
19	59070290	0	RIGHT ARM	
20	F0801331050	0	SEEGER RING E 45 UNI 7436	
21	58170245	0	LIFTING CYLINDER	
21.1	58171537	0	GASKET SET	
21.2	58171536	0	BUSHINGS KIT	
22	56370282	0	SHIM	
23	F0801241010	0	SEEGER RING E 30 UNI 7436	
24	56370287	0	HINGE PIN	
25	31112150	0	SCREW TE M8X20 UNI 5739 8G	
26	F0843643060	0	WASHER 8	
27	56170283	0	BRACKET	
28	56170286	0	SPACER	
29	56170285	0	SPACER	
30	59073189	0	CONNECTING BOLT	
31	F0851486000	0	SPLIT PIN	

SERIAL

RAISE/LOWER LIFT
 Power: 70 CV, 80 CV, 90 CV

CODE REV

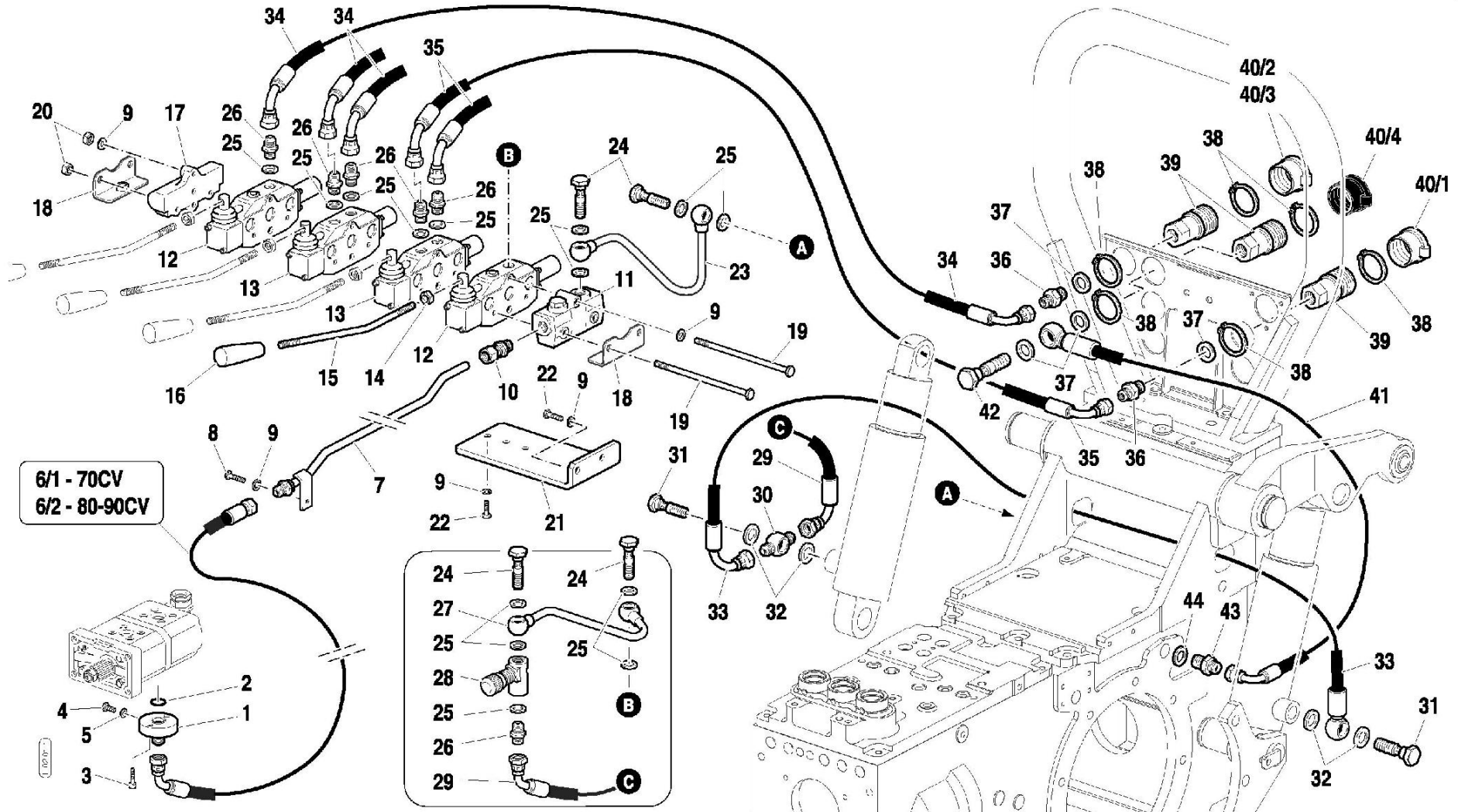
L0101_0_17311



ALLESTIMENTO DISTRIBUTORI CON SCARICO LIBERO
 FREE DISCHARGE CONTROL VALVES VERSION
 VERSION DISTRIBUTEURS AVEC ÉCOULEMENT LIBRE
 STEUERGERÄTE MIT FREIEM ABLASS AUSFÜHRUNG
 INSTALACIÓN DISTRIBUIDORES CON DESCARGUE LIBRE

Validità		
70	80	90
RS-M	RS-R	
901148 →		

Tavola	Rev.	Data
L.02.01	1	05/2003



Pos.	Code	Q.ty	Description	Notes
1	F0825809000	0	PRESSURE PIPE CONNECTOR	
2	F0803185000	0	O-RING 3068 (17,12x2,62)	
3	31152057	0	SCREW TCEI M6X16 UNI 5931	
4	F0862462010	0	SCREW M8X1/12 UNI5740	
5	F0824022000	0	SPECIAL GASKET D.8,4X12/1	
6/1	58075247	0	FLEXIBLE HOSE	
6/2	58073147	0	FLEXIBLE HOSE	
7	59074754	0	PRESSURE PIPE	
8	31111151	0	SCREW TE M8X16 UNI 5739 8G	
9	F0843643060	0	WASHER 8	
10	58172015	0	PIPE FITTING	
11	58172304	0	HEAD	
12	58172011	0	S.A. VALVE	
13	58172013	0	D.A. VALVE	
14	31211100	0	NUT M10	
15	56170964	0	COMMAND LEVER	
16	F0837534010	0	GRIP	
17	58172489	0	COVER	
18	59072057	0	FIXING BRACKET	
19	58172018	0	ROD	
20	31211080	0	NUT M8	
21	56174202	0	RETAINER	
22	31112150	0	SCREW TE M8X20 UNI 5739 8G	
23	59074759	0	OIL PIPE	
24	F0843109020	0	PIPE FITTING	
25	F0824110000	0	COPPER WASHER 3/8 GAS	
26	F0835024010	0	NIPPLE	
27	59075359	0	PRESSURE PIPE	
28	P24117100000	0	VALVE	
29	58075135	0	FLEXIBLE HOSE	
30	58170512	0	EYELET	
31	F0843110010	0	THREADED TERMINAL END M18x1,5	
32	F0824113000	0	COPPER WASHER 18X24/1,5	
33	58070513	0	FLEXIBLE HOSE	

SERIAL

FREE DISCHARGE CONTROL VALVES VERSION

Power: 70 CV, 80 CV, 90 CV

CODE REV

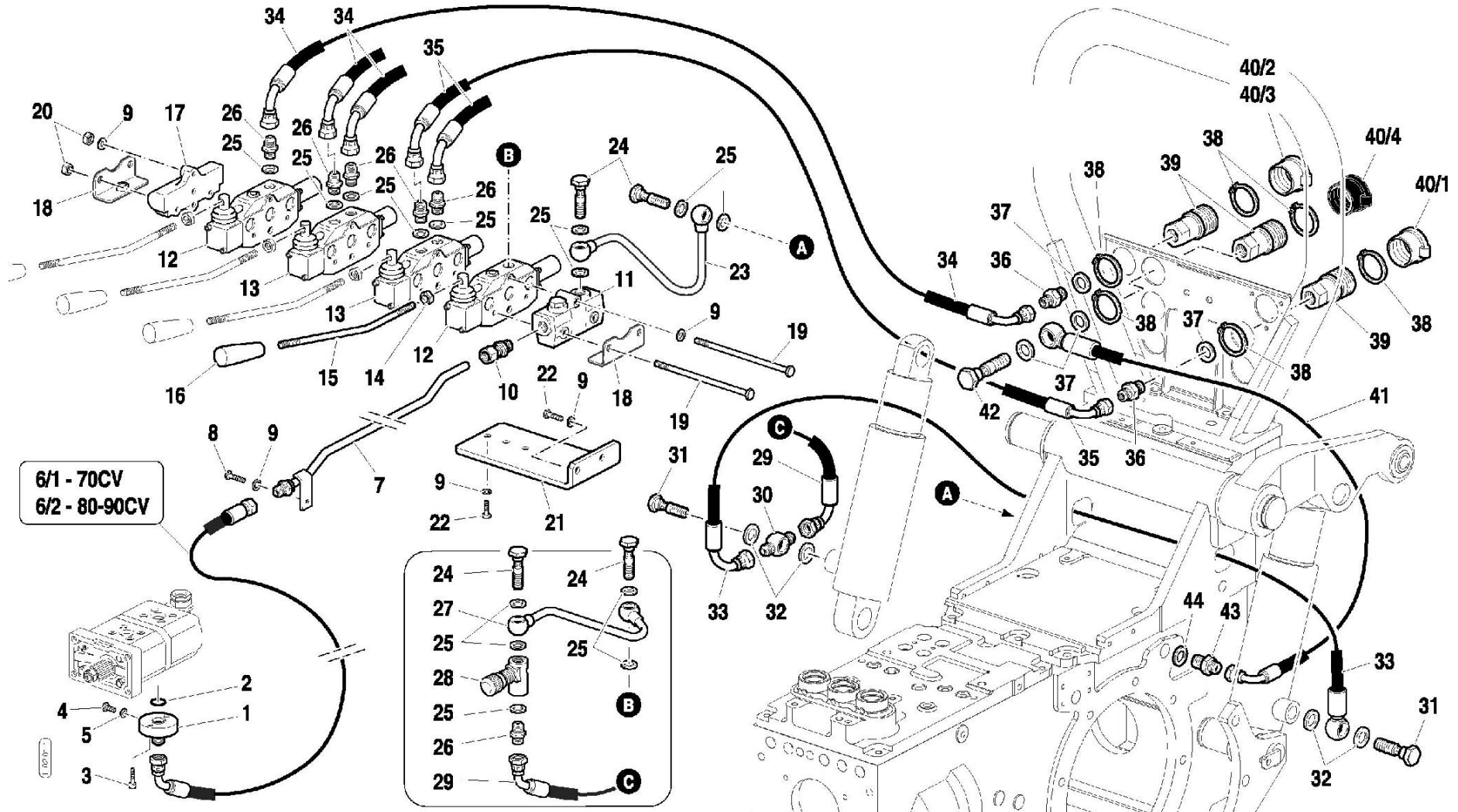
L0201_1_17393



ALLESTIMENTO DISTRIBUTORI CON SCARICO LIBERO
 FREE DISCHARGE CONTROL VALVES VERSION
 VERSION DISTRIBUTEURS AVEC ÉCOULEMENT LIBRE
 STEUERGERÄTE MIT FREIEM ABLASS AUSFÜHRUNG
 INSTALACIÓN DISTRIBUIDORES CON DESCARGUE LIBRE

Validità		
70	80	90
RS-M	RS-R	
901148 →		

Tavola	Rev.	Data
L.02.01	1	05/2003



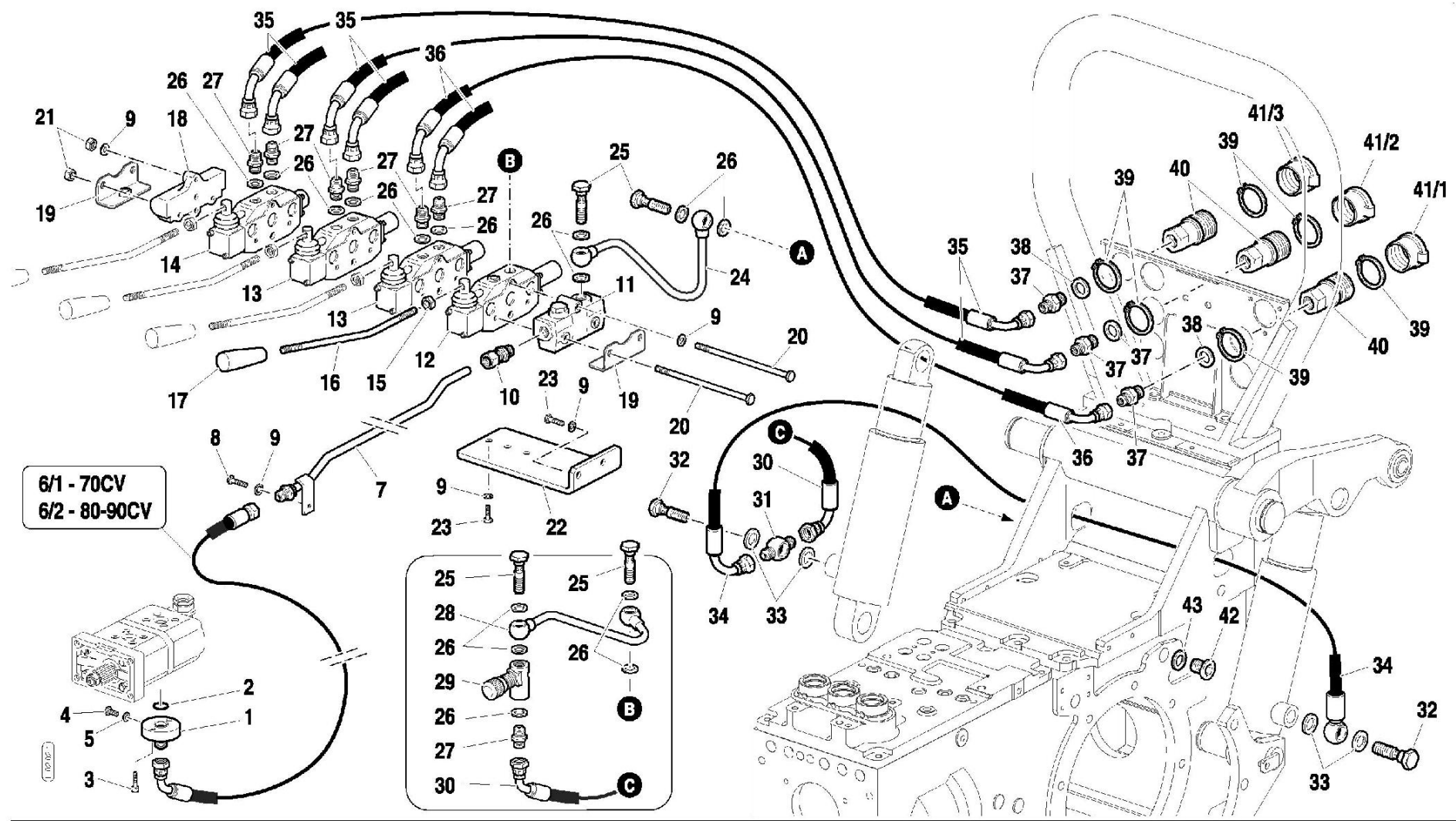
Pos.	Code	Q.ty	Description	Notes
34	58075080	0	FLEXIBLE HOSE	
35	58075087	0	FLEXIBLE HOSE	
36	F0835037000	0	NIPPLE	
37	F0824141000	0	COPPER WASHER 21x27/1,5	
38	F0801297000	0	SEEGER RING E 40 UNI 7435	
39	F0825980030	0	COUPLING	
40/1	F0852550010	0	GUARD	
40/2	F0852550020	0	GUARD	
40/3	F0852550030	0	GUARD	
40/4	F0852550040	0	GUARD	
41	58075082	0	FLEXIBLE HOSE	
42	F0843116000	0	PIPE FITTING 1/2	
43	58175083	0	NIPPLE	
44	F0844273090	0	GASKET 22X28X1,5 CU 99,5	



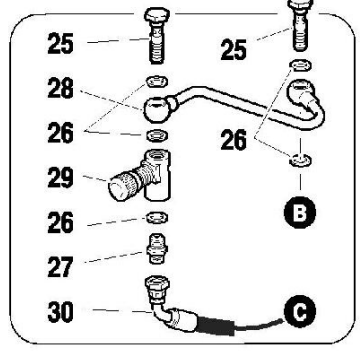
ALLESTIMENTO DISTRIBUTORI SENZA SCARICO LIBERO
 CONTROL VALVES WITHOUT FREE DISCHARGE VERSION
 VERSION DISTRIBUTEURS SANS ÉCOULEMENT LIBRE
 STEUERGERÄTE OHNE FREIEN ABLASS AUSFÜHRUNG
 INSTALACIÓN DISTRIBUIDORES SIN DESCARGUE LIBRE

Validità		
70	80	90
RS-M	RS-R	
901148 →		

Tavola	Rev.	Data
L.02.02	1	05/2003



6/1 - 70CV
 6/2 - 80-90CV



Pos.	Code	Q.ty	Description	Notes
1	F0825809000	0	PRESSURE PIPE CONNECTOR	
2	F0803185000	0	O-RING 3068 (17,12x2,62)	
3	31152057	0	SCREW TCEI M6X16 UNI 5931	
4	F0862462010	0	SCREW M8X1/12 UNI5740	
5	F0824022000	0	SPECIAL GASKET D.8,4X12/1	
6/1	58075247	0	FLEXIBLE HOSE	
6/2	58073147	0	FLEXIBLE HOSE	
7	59074754	0	PRESSURE PIPE	
8	31111151	0	SCREW TE M8X16 UNI 5739 8G	
9	F0843643060	0	WASHER 8	
10	58172015	0	PIPE FITTING	
11	58172304	0	HEAD	
12	58172011	0	S.A. VALVE	
13	58172013	0	D.A. VALVE	
14	58172012	0	D.A. VALVE	
15	31211100	0	NUT M10	
16	56170964	0	COMMAND LEVER	
17	F0837534010	0	GRIP	
18	58172489	0	COVER	
19	59072057	0	FIXING BRACKET	
20	58172018	0	ROD	
21	31211080	0	NUT M8	
22	56174202	0	RETAINER	
23	31112150	0	SCREW TE M8X20 UNI 5739 8G	
24	59074759	0	OIL PIPE	
25	F0843109020	0	PIPE FITTING	
26	F0824110000	0	COPPER WASHER 3/8 GAS	
27	F0835024010	0	NIPPLE	
28	59075359	0	PRESSURE PIPE	
29	P24117100000	0	VALVE	
30	58075135	0	FLEXIBLE HOSE	
31	58170512	0	EYELET	
32	F0843110010	0	THREADED TERMINAL END M18x1,5	
33	F0824113000	0	COPPER WASHER 18X24/1,5	

SERIAL

CONTROL VALVES WITHOUT FREE DISCHARGE VERSION

Power: 70 CV, 80 CV, 90 CV

CODE REV

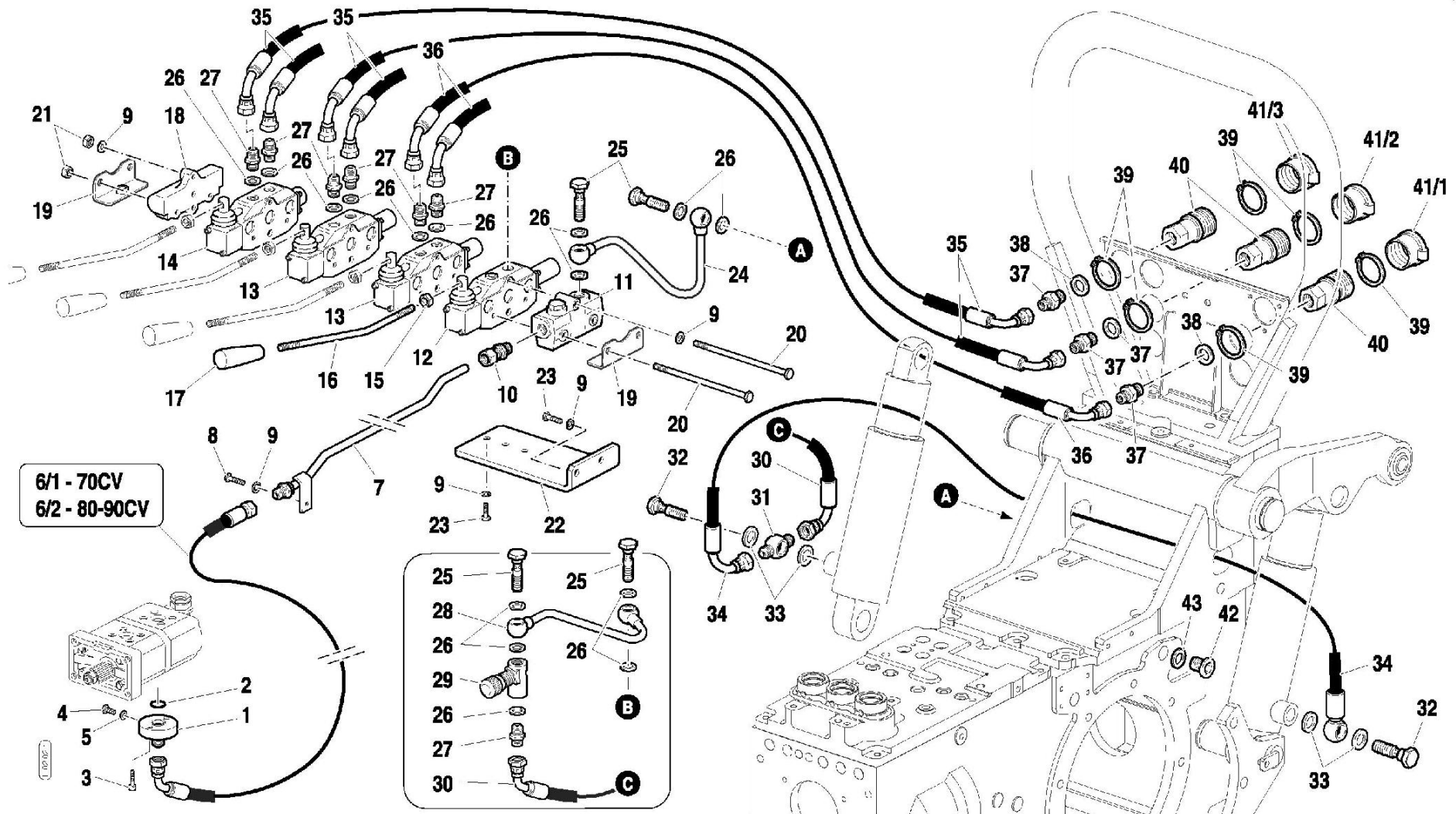
L0202_1_17488



ALLESTIMENTO DISTRIBUTORI SENZA SCARICO LIBERO
 CONTROL VALVES WITHOUT FREE DISCHARGE VERSION
 VERSION DISTRIBUTEURS SANS ÉCOULEMENT LIBRE
 STEUERGERÄTE OHNE FREIEN ABLASS AUSFÜHRUNG
 INSTALACIÓN DISTRIBUIDORES SIN DESCARGUE LIBRE

Validità		
70	80	90
RS-M	RS-R	
901148 →		

Tavola	Rev.	Data
L.02.02	1	05/2003



Pos.	Code	Q.ty	Description	Notes
34	58070513	0	FLEXIBLE HOSE	
35	58075080	0	FLEXIBLE HOSE	
36	58075087	0	FLEXIBLE HOSE	
37	F0835037000	0	NIPPLE	
38	F0824141000	0	COPPER WASHER 21x27/1,5	
39	F0801297000	0	SEEGER RING E 40 UNI 7435	
40	F0825980030	0	COUPLING	
41/1	F0852550010	0	GUARD	
41/2	F0852550020	0	GUARD	
41/3	F0852550030	0	GUARD	
42	56370081	0	PLUG	
43	F0844273090	0	GASKET 22X28X1,5 CU 99,5	

FERRARI

Thor

ALLESTIMENTO CON SOSPENSIONE IDRAULICA
HYDR. SUSPENSION VERSION
VERSION SUSPENSION HYDR.
HYDR. AUFHÄNGUNG AUSFÜHRUNG
VARIANTE SUSPENSION HIDRAULICA

Validità

70	80	90
RS-R		

Tavola

L.02.03

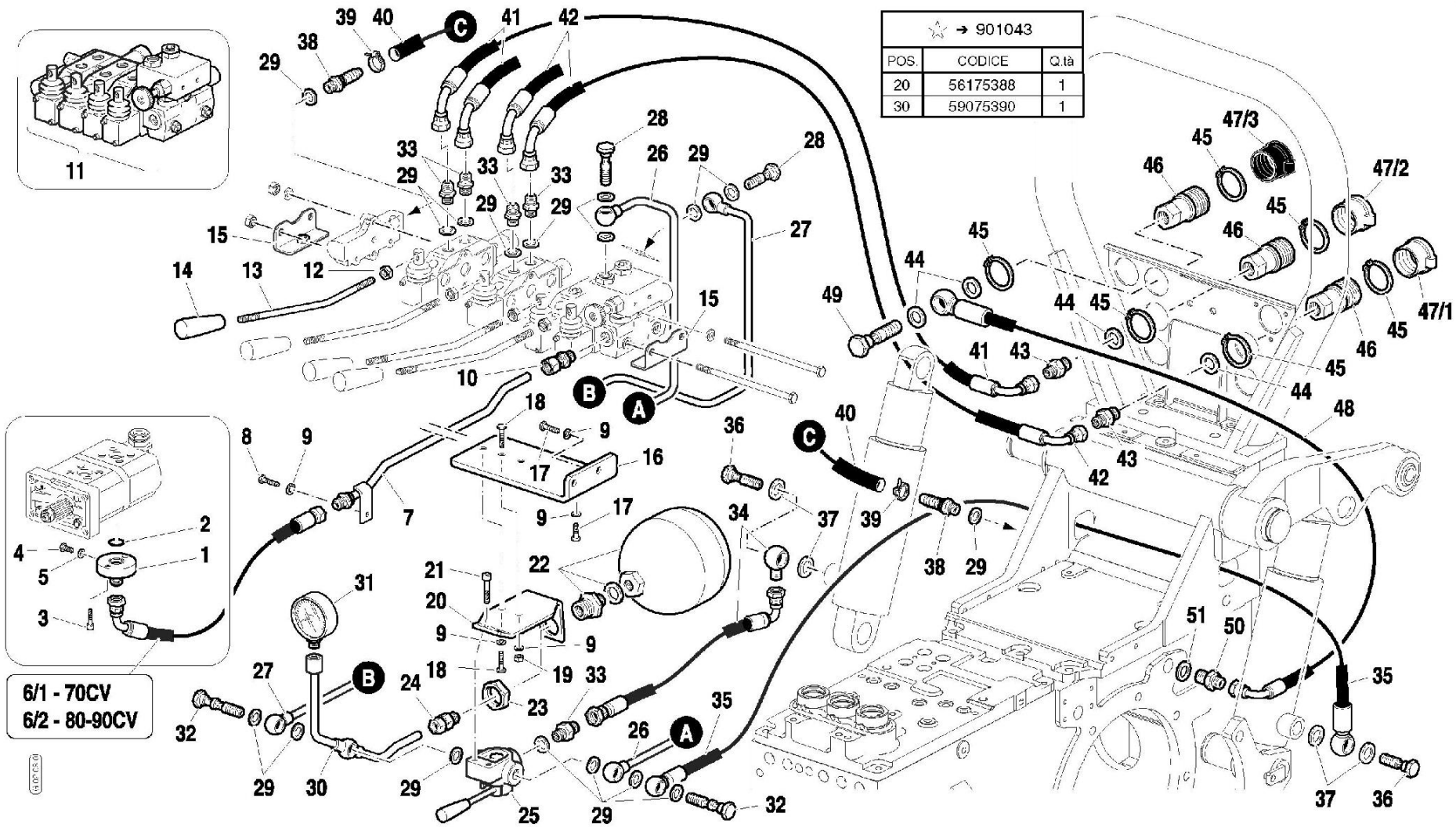
Rev.

0

Data

05/2003

1/2



Pos.	Code	Q.ty	Description	Notes
1	F0825809000	0	PRESSURE PIPE CONNECTOR	
2	F0803185000	0	O-RING 3068 (17,12x2,62)	
3	31152057	0	SCREW TCEI M6X16 UNI 5931	
4	F0862462010	0	SCREW M8X1/12 UNI5740	
5	F0824022000	0	SPECIAL GASKET D.8,4X12/1	
6/1	58075247	0	FLEXIBLE HOSE	
6/2	58073147	0	FLEXIBLE HOSE	
7	59074754	0	PRESSURE PIPE	
8	31111151	0	SCREW TE M8X16 UNI 5739 8G	
9	F0843643060	0	WASHER 8	
10	58172015	0	PIPE FITTING	
11	58174974	0	FLOATING DEVICE GROUP	
12	31211100	0	NUT M10	
13	56170964	0	COMMAND LEVER	
14	F0837534010	0	GRIP	
15	59072057	0	FIXING BRACKET	
16	56174202	0	RETAINER	
17	31112150	0	SCREW TE M8X20 UNI 5739 8G	
18	31112151	0	SCREW TE M8X25 UNI 5739 8G	
19	31211080	0	NUT M8	
20	56175388	0	SUPPORT	
21	31152084	0	SCREW TCEI M8X35 UNI 5931	
22	59900364	0	KIT	
23	56170779	0	SHIM	
24	58170251	0	PIPE FITTING	
25	F0110037024	0	SWITCH	
26	59075064	0	PIPE	
27	59075389	0	DISTRIBUTING PIPE	
28	F0843109020	0	PIPE FITTING	
29	F0824110000	0	COPPER WASHER 3/8 GAS	
30	59075390	0	PRESSURE PIPE	
31	58170597	0	MANOMETER	
32	58170693	0	PIPE FITTING	
33	F0835024010	0	NIPPLE	

SERIAL

HYDR. SUSPENSION VERSION

Power: 70 CV, 80 CV, 90 CV

CODE REV

L0203_0_17535

FERRARI*Thor*

ALLESTIMENTO CON SOSPENSIONE IDRAULICA
 HYDR. SUSPENSION VERSION
 VERSION SUSPENSION HYDR.
 HYDR. AUFHÄNGUNG AUSFÜHRUNG
 VARIANTE SUSPENSION HIDRAULICA

Validità

70	80	90
RS-R		

Tavola

L.02.03

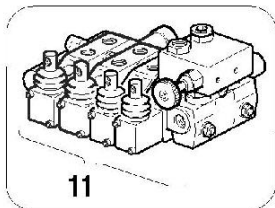
Rev.

0

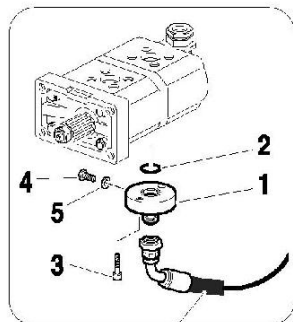
Data

05/2003

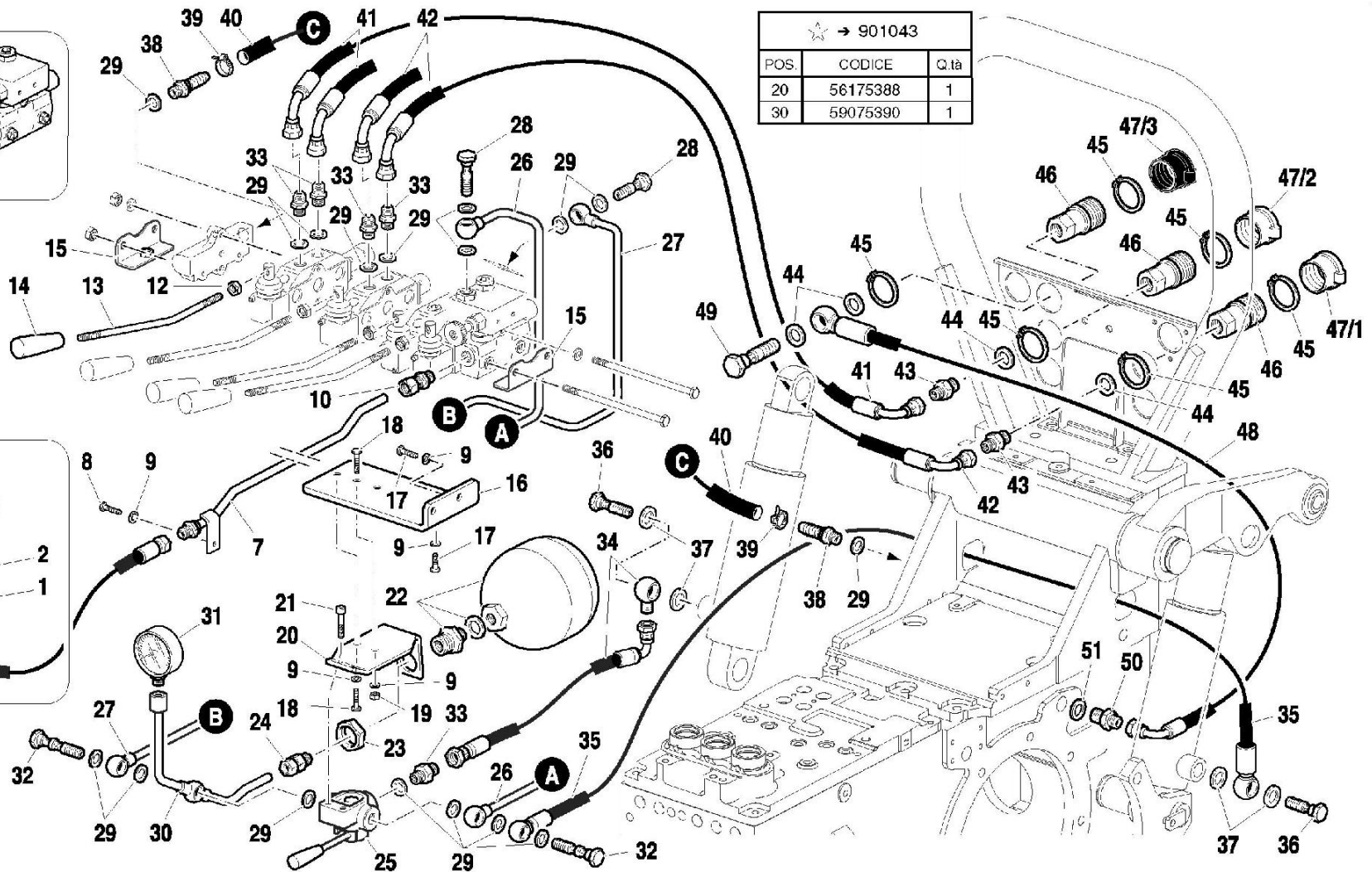
1/2



☆ → 901043		
POS.	CODICE	Q.tà
20	56175388	1
30	59075390	1



6/1 - 70CV
 6/2 - 80-90CV



Pos.	Code	Q.ty	Description	Notes
34	59900365	0	PIPE SET	
35	58075074	0	FLEXIBLE HOSE	
36	F0843110010	0	THREADED TERMINAL END M18x1,5	
37	F0824113000	0	COPPER WASHER 18X24/1,5	
38	58172307	0	RUBBER HOLDER	
39	F0817519000	0	CLAMP	
40	58070519	0	OIL PIPE	
41	58075080	0	FLEXIBLE HOSE	
42	58075087	0	FLEXIBLE HOSE	
43	F0835037000	0	NIPPLE	
44	F0824141000	0	COPPER WASHER 21x27/1,5	
45	F0801297000	0	SEEGER RING E 40 UNI 7435	
46	F0825980030	0	COUPLING	
47/1	F0852550020	0	GUARD	
47/2	F0852550030	0	GUARD	
47/3	F0852550040	0	GUARD	
48	58075082	0	FLEXIBLE HOSE	
49	F0843116000	0	PIPE FITTING 1/2	
50	58175083	0	NIPPLE	
51	F0844273090	0	GASKET 22X28X1,5 CU 99,5	

FERRARI*Thor*

SOLLEVATORE POSIZIONE-SFORZO CONTROLLATI
 POSITION AND DRAFT CONTROL LIFT
 RELEVAGE A CONTROLE DE POSITION ET D'EFFORT
 KRAFTHEBER MIT ZUGKRAFT-U. LAGEREGLUNG
 ELEVADOR CON POSICION Y ESFUERZO CONTROLADO

Validità

70	80	90
RS-M	RS-R	AR-M AR-R

Tavola

M.01.01

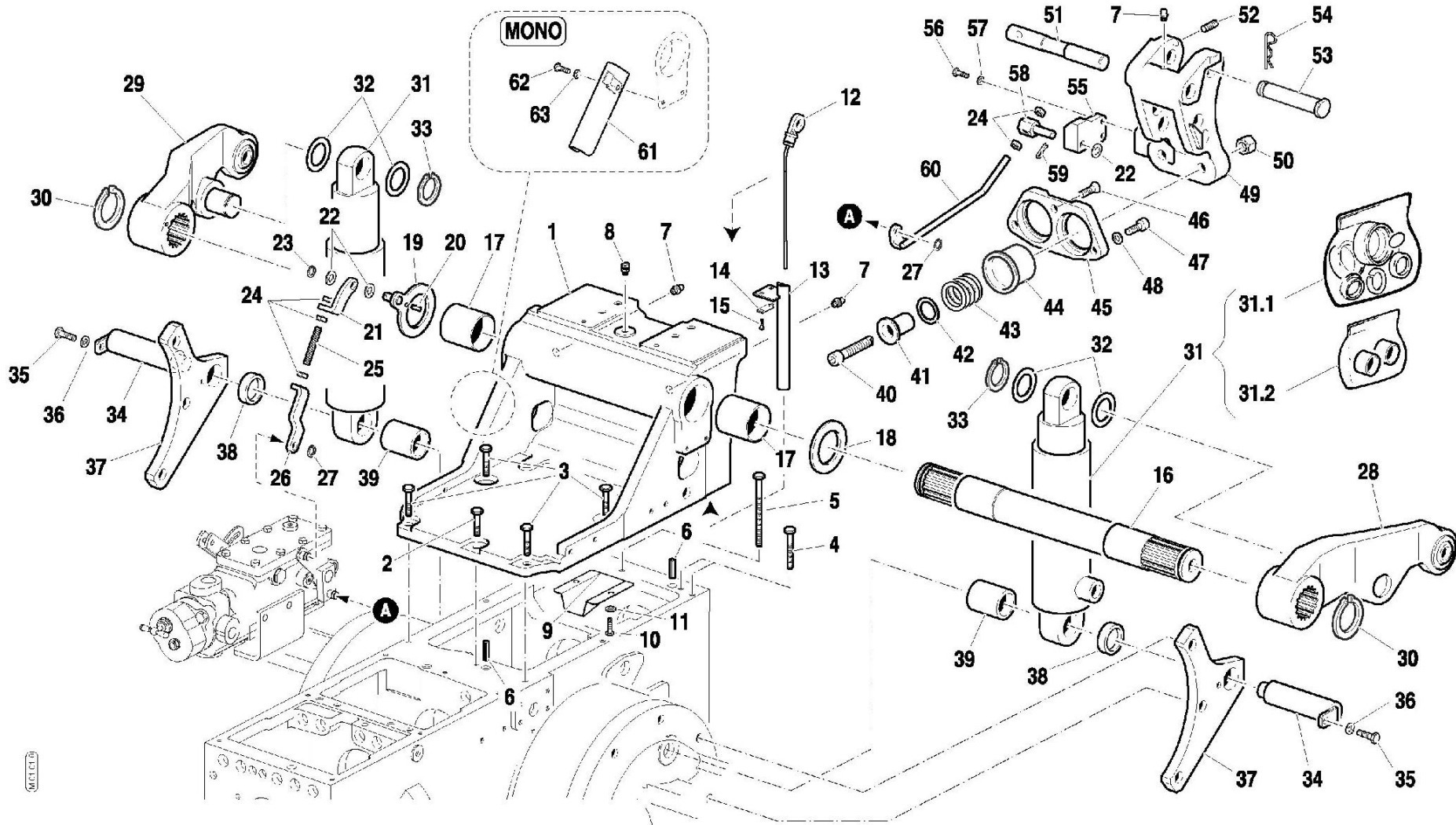
Rev.

0

Data

05/2003

1/2



Pos.	Code	Q.ty	Description	Notes
1	51174047	0	SUPPORT	
2	31112219	0	SCREW TE M10X25 UNI 5739	
3	31112211	0	SCREW TE M10X30 UNI 5739	
4	F0863429000	0	SCREW M10X45 UNI 5737	
5	31112217	0	SCREW TE M10X80 UNI 5737	
6	56570016	0	CYLINDRICAL PLUG	
7	F0826056000	0	LUBRICATOR M10 UNI 7663A	
8	58075603	0	PLUG	
9	56173638	0	GUARD	
10	31112149	0	SCREW TE M8X12 UNI 5739 8G	
11	F0843643060	0	WASHER 8	
12	58174581	0	OIL LEVEL ROD	
13	59074443	0	PIPE	
14	52071702	0	CLAMPING PLATE	
15	31112082	0	SCREW TE M6X12 UNI 5739 8G	
16	56570284	0	SHAFT	
17	58170291	0	BUSHING	
18	56370288	0	SHIM	
19	59075148	0	SHIM	
20	56570506	0	PIN	
21	56375147	0	BRACKET	
22	31411104	0	WASHER 10,5x18	
23	F0801050000	0	SEEGER RING E 10 UNI 7435	
24	F0814569000	0	NUT M8 UNI 5589 CL:8	
25	56375146	0	GRAIN	
26	56075145	0	BRACKET	
27	35211070	0	SEEGER RING E 7 UNI 7434	
28	59070289	0	LIFTING ARM	
29	59070290	0	RIGHT ARM	
30	F0801331050	0	SEEGER RING E 45 UNI 7436	
31	58170245	0	LIFTING CYLINDER	
31.1	58171537	0	GASKET SET	
31.2	58171536	0	BUSHINGS KIT	
32	56370282	0	SHIM	

SERIAL

POSITION AND DRAFT CONTROL LIFT

Power: 70 CV, 80 CV, 90 CV

CODE REV

M0101_0_17861

FERRARI*Thor*

SOLLEVATORE POSIZIONE-SFORZO CONTROLLATI
 POSITION AND DRAFT CONTROL LIFT
 RELEVAGE A CONTROLE DE POSITION ET D'EFFORT
 KRAFTHEBER MIT ZUGKRAFT-U. LAGEREGLUNG
 ELEVADOR CON POSICION Y ESFUERZO CONTROLADO

Validità

70	80	90
RS-M	RS-R	AR-M AR-R

Tavola

M.01.01

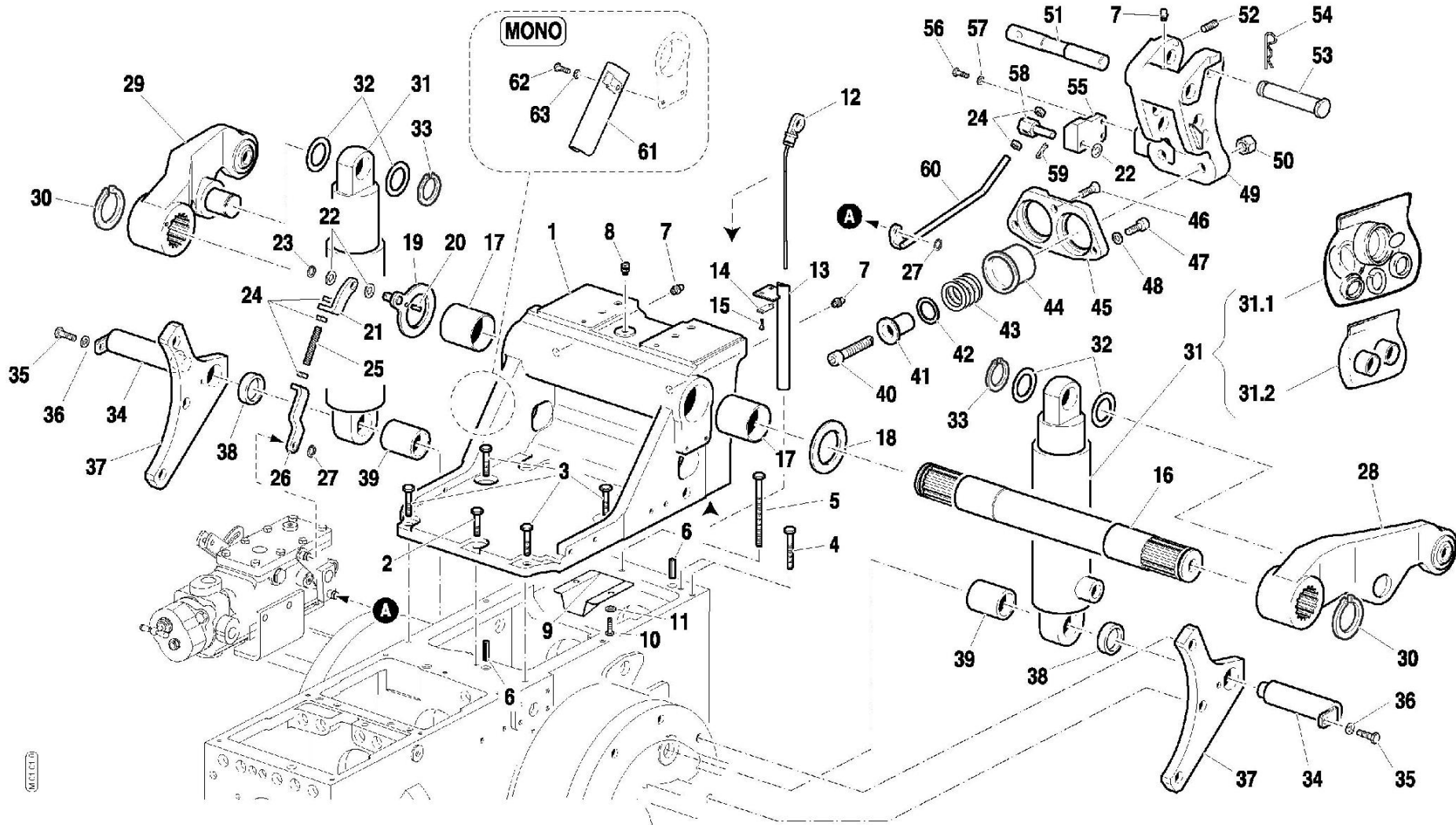
Rev.

0

Data

05/2003

1/2



Pos.	Code	Q.ty	Description	Notes
33	F0801241010	0	SEEGER RING E 30 UNI 7436	
34	56370287	0	HINGE PIN	
35	31112150	0	SCREW TE M8X20 UNI 5739 8G	
37	56170283	0	BRACKET	
38	56170286	0	SPACER	
39	56170285	0	SPACER	
40	50973415	0	SCREW	
41	56073414	0	GUIDE	
42	56373426	0	SHIM	
42	56373427	0	SHIM	
42	56373428	0	SHIM	
42	58025869	0	SHIM	
43	58073411	0	SPRING	
44	56073413	0	SLEEVE	
45	56073416	0	FLANGE	
46	F0863208050	0	SCREW M10X20 UNI 5933	
47	31152097	0	SCREW TCEI M10X30 UNI 5931	
48	F0843755000	0	WASHER 10	
49	51173371	0	THREE-POINT LINKAGE	
50	31241121	0	SELFLOCK NUT M12	
51	56374574	0	CONNECTING BOLT	
52	F0862593050	0	SCREW M8X20 UNI 5927	
53	56373436	0	PIN	
54	F0851486000	0	SPLIT PIN	
55	59075140	0	SMALL BLOCK	
56	31112093	0	SCREW TE M6X20 UNI 5739 8G	
57	F0843570000	0	WASHER 6	
58	56075143	0	HINGE PIN	
59	34110030	0	SPLIT PIN	
60	59075137	0	ROD	
61	59075178	0	CABLE BARRIER RAIL	
62	31111091	0	SCREW E M6X14 UNI 5739 8G	
63	F0843570000	0	WASHER 6	

SERIAL

POSITION AND DRAFT CONTROL LIFT

Power: 70 CV, 80 CV, 90 CV

CODE REV

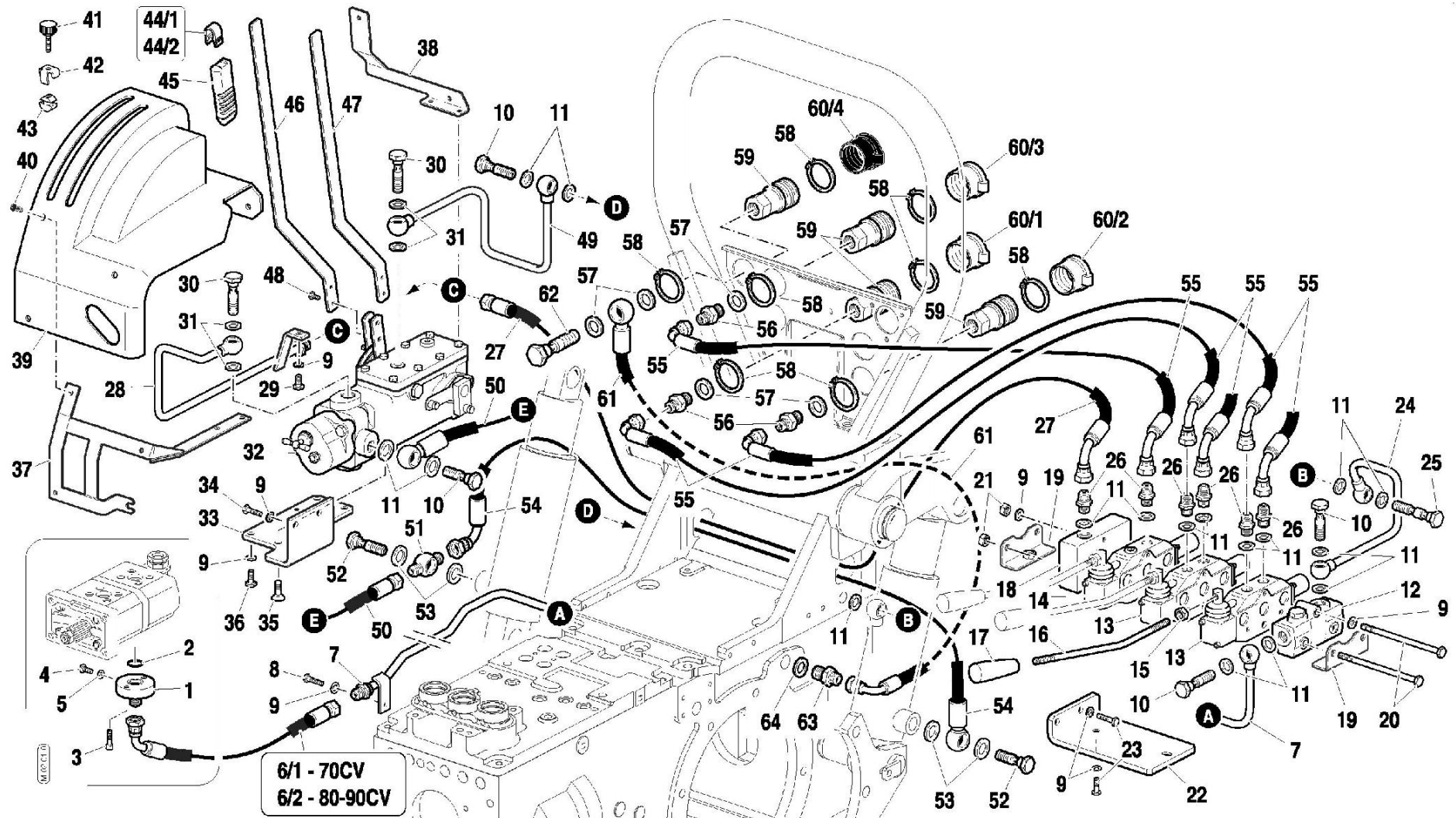
M0101_0_17861



ALLESTIMENTO DISTRIBUTORI CON SCARICO LIBERO
 FREE DISCHARGE CONTROL VALVES VERSION
 VERSION DISTRIBUTEURS AVEC ÉCOULEMENT LIBRE
 STEUERGERÄTE MIT FREIEM ABLASS AUSFÜHRUNG
 INSTALACIÓN DISTRIBUIDORES CON DESCARGUE LIBRE

Validità		
70	80	90
RS-M	RS-R	

Tavola	Rev.	Data
M.02.01	0	05/2003



Pos.	Code	Q.ty	Description	Notes
1	F0825809000	0	PRESSURE PIPE CONNECTOR	
2	F0803185000	0	O-RING 3068 (17,12x2,62)	
3	31152057	0	SCREW TCEI M6X16 UNI 5931	
4	F0862462010	0	SCREW M8X1/12 UNI5740	
5	F0824022000	0	SPECIAL GASKET D.8,4X12/1	
6/1	58075247	0	FLEXIBLE HOSE	
6/2	58073147	0	FLEXIBLE HOSE	
7	59075216	0	PRESSURE PIPE	
8	31111151	0	SCREW TE M8X16 UNI 5739 8G	
9	F0843643060	0	WASHER 8	
10	F0843109020	0	PIPE FITTING	
11	F0824110000	0	COPPER WASHER 3/8 GAS	
12	58172304	0	HEAD	
13	58172013	0	D.A. VALVE	
14	58172011	0	S.A. VALVE	
15	31211100	0	NUT M10	
16	56170964	0	COMMAND LEVER	
17	F0837534010	0	GRIP	
18	58173361	0	COVER	
19	59072057	0	FIXING BRACKET	
20	58172017	0	ROD	
21	31211080	0	NUT M8	
22	56175227	0	LEFT BRACKET	
23	31112150	0	SCREW TE M8X20 UNI 5739 8G	
24	59075217	0	EXHAUST	
25	58172589	0	THREADED TERMINAL END	
26	F0835024010	0	NIPPLE	
27	58075159	0	FLEXIBLE HOSE	
28	59075979	0	PRESSURE PIPE	
29	31112149	0	SCREW TE M8X12 UNI 5739 8G	
30	F0843116000	0	PIPE FITTING 1/2	
31	F0824141000	0	COPPER WASHER 21x27/1,5	
32	58175191	0	DISTRIBUTOR	
33	56075161	0	FIXING BRACKET	

SERIAL

FREE DISCHARGE CONTROL VALVES VERSION

Power: 70 CV, 80 CV, 90 CV

CODE REV

M0201_0_17929

Pos.	Code	Q.ty	Description	Notes
34	31112150	0	SCREW TE M8X20 UNI 5739 8G	
35	F0862481000	0	SCREW M8x16 UNI 5933	
36	31111151	0	SCREW TE M8X16 UNI 5739 8G	
37	59075253	0	FIXING BRACKET	
38	56075251	0	FIXING BRACKET	
39	57375192	0	COVER	
40	F0861973000	0	SCREW M6X10 COMBI	
41	58175196	0	KNOB	
42	56075197	0	CLIP	
43	56075198	0	SMALL BLOCK	
44/1	58175211	0	INSERT	
44/2	58175188	0	INSERT	
45	58175187	0	KNOB	
46	56075183	0	COMMAND LEVER	
47	56075184	0	COMMAND LEVER	
48	31111090	0	SCREW TE M5X10 UNI 5739 8G	
49	59075171	0	EXHAUST	
50	58075160	0	FLEXIBLE HOSE	
51	58170512	0	EYELET	
52	F0843110010	0	THREADED TERMINAL END M18x1,5	
53	F0824113000	0	COPPER WASHER 18X24/1,5	
54	58070513	0	FLEXIBLE HOSE	
55	58075226	0	FLEXIBLE HOSE	
56	F0835037000	0	NIPPLE	
57	F0824141000	0	COPPER WASHER 21x27/1,5	
58	F0801297000	0	SEEGER RING E 40 UNI 7435	
59	F0825980030	0	COUPLING	
60/1	F0852550010	0	GUARD	
60/2	F0852550020	0	GUARD	
60/3	F0852550030	0	GUARD	
60/4	F0852550040	0	GUARD	
61	58075082	0	FLEXIBLE HOSE	
62	F0843116000	0	PIPE FITTING 1/2	
63	58175083	0	NIPPLE	

SERIAL

FREE DISCHARGE CONTROL VALVES VERSION

Power: 70 CV, 80 CV, 90 CV

CODE REV

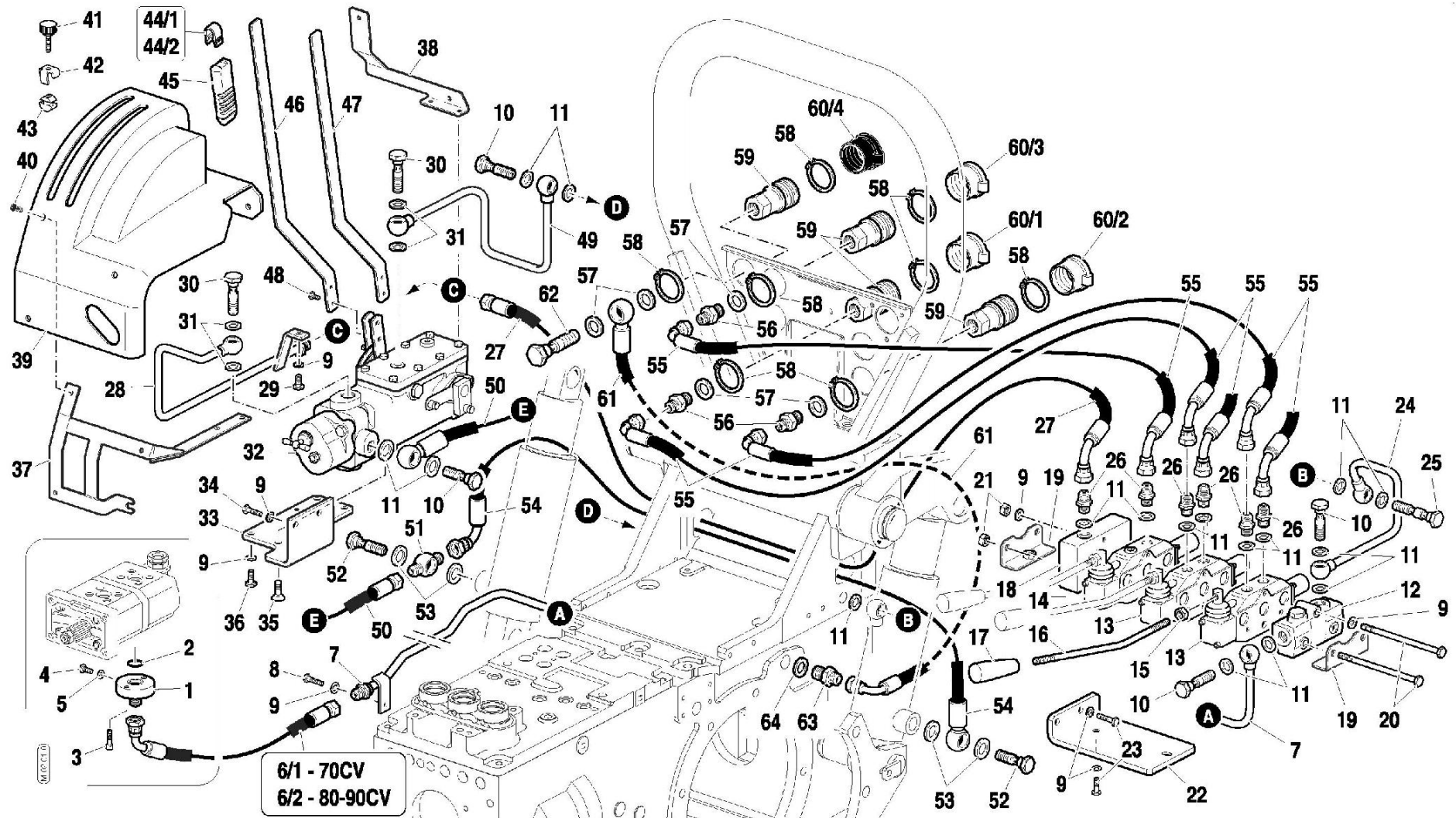
M0201_0_17929



ALLESTIMENTO DISTRIBUTORI CON SCARICO LIBERO
 FREE DISCHARGE CONTROL VALVES VERSION
 VERSION DISTRIBUTEURS AVEC ÉCOULEMENT LIBRE
 STEUERGERÄTE MIT FREIEM ABLASS AUSFÜHRUNG
 INSTALACIÓN DISTRIBUIDORES CON DESCARGUE LIBRE

Validità		
70	80	90
RS-M	RS-R	

Tavola	Rev.	Data
M.02.01	0	05/2003



Pos.	Code	Q.ty	Description	Notes
64	F0844273090	0	GASKET 22X28X1,5 CU 99,5	

Pos.	Code	Q.ty	Description	Notes
1	F0825809000	0	PRESSURE PIPE CONNECTOR	
2	F0803185000	0	O-RING 3068 (17,12x2,62)	
3	31152057	0	SCREW TCEI M6X16 UNI 5931	
4	F0862462010	0	SCREW M8X1/12 UNI5740	
5	F0824022000	0	SPECIAL GASKET D.8,4X12/1	
6/1	58075247	0	FLEXIBLE HOSE	
6/2	58073147	0	FLEXIBLE HOSE	
7	59075216	0	PRESSURE PIPE	
8	31111151	0	SCREW TE M8X16 UNI 5739 8G	
9	F0843643060	0	WASHER 8	
10	F0843109020	0	PIPE FITTING	
11	F0824110000	0	COPPER WASHER 3/8 GAS	
12	58172304	0	HEAD	
13	58172013	0	D.A. VALVE	
14	58172012	0	D.A. VALVE	
15	31211100	0	NUT M10	
16	56170964	0	COMMAND LEVER	
17	F0837534010	0	GRIP	
18	58173361	0	COVER	
19	59072057	0	FIXING BRACKET	
20	58172017	0	ROD	
21	31211080	0	NUT M8	
22	56175227	0	LEFT BRACKET	
23	31112150	0	SCREW TE M8X20 UNI 5739 8G	
24	59075217	0	EXHAUST	
25	58172589	0	THREADED TERMINAL END	
26	F0835024010	0	NIPPLE	
27	58075159	0	FLEXIBLE HOSE	
28	59075979	0	PRESSURE PIPE	
29	31112149	0	SCREW TE M8X12 UNI 5739 8G	
30	F0843116000	0	PIPE FITTING 1/2	
31	F0824141000	0	COPPER WASHER 21x27/1,5	
32	58175191	0	DISTRIBUTOR	
33	56075161	0	FIXING BRACKET	

SERIAL

CONTROL VALVES WITHOUT FREE DISCHARGE VERSION

Power: 70 CV, 80 CV, 90 CV

CODE REV

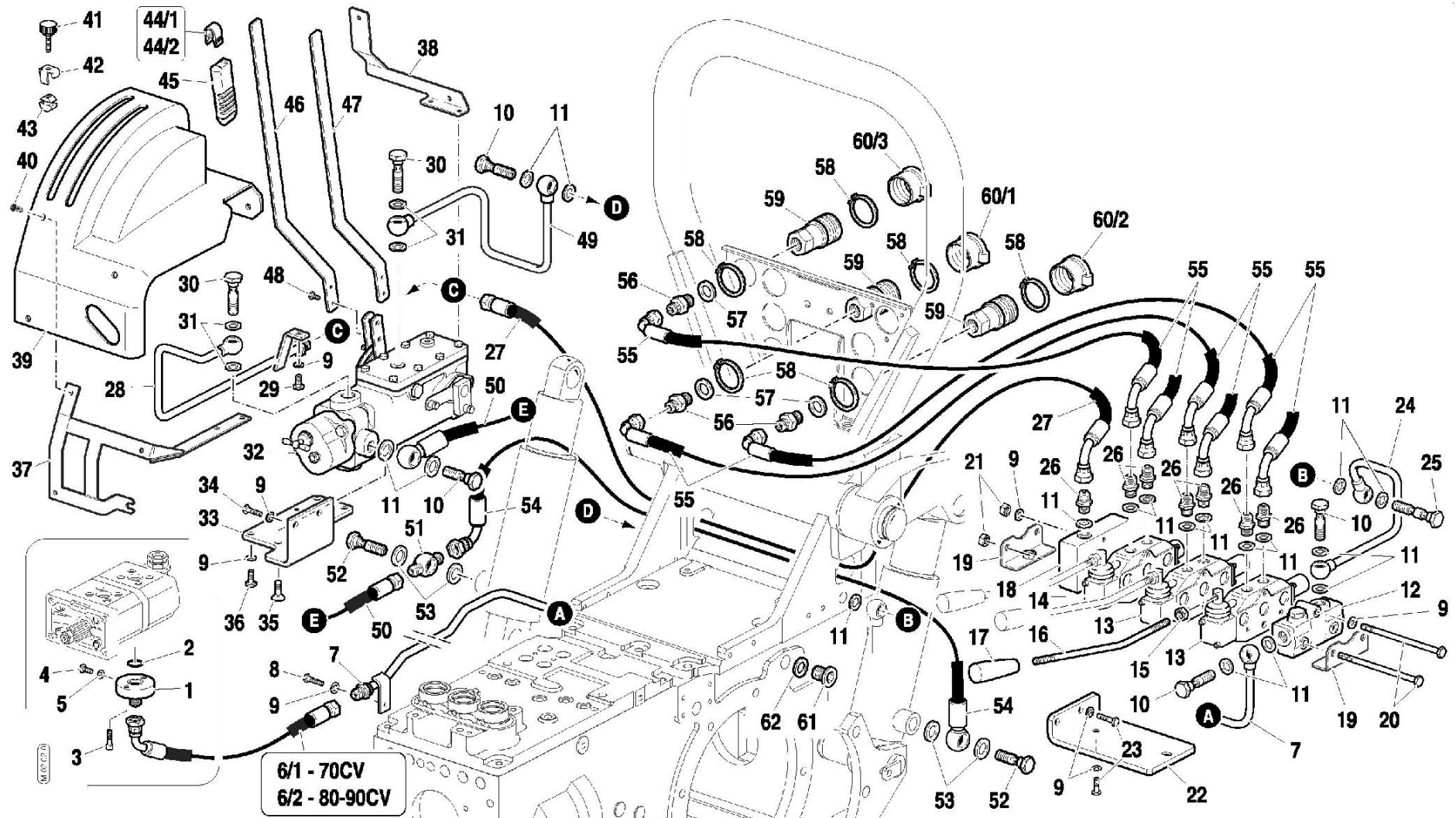
M0202_0_17999



ALLESTIMENTO DISTRIBUTORI SENZA SCARICO LIBERO
 CONTROL VALVES WITHOUT FREE DISCHARGE VERSION
 VERSION DISTRIBUTEURS SANS ÉCOULEMENT LIBRE
 STEUERGERÄTE OHNE FREIEN ABLASS AUSFÜHRUNG
 INSTALACIÓN DISTRIBUIDORES SIN DESCARGUE LIBRE

Validità		
70	80	90
RS-M	RS-R	

Tavola	Rev.	Data
M.02.02	0	05/2003



Pos.	Code	Q.ty	Description	Notes
34	31112150	0	SCREW TE M8X20 UNI 5739 8G	
35	F0862481000	0	SCREW M8x16 UNI 5933	
36	31111151	0	SCREW TE M8X16 UNI 5739 8G	
37	59075253	0	FIXING BRACKET	
38	56075251	0	FIXING BRACKET	
39	57375192	0	COVER	
40	F0861973000	0	SCREW M6X10 COMBI	
41	58175196	0	KNOB	
42	56075197	0	CLIP	
43	56075198	0	SMALL BLOCK	
44/1	58175211	0	INSERT	
44/2	58175188	0	INSERT	
45	58175187	0	KNOB	
46	56075183	0	COMMAND LEVER	
47	56075184	0	COMMAND LEVER	
48	31111090	0	SCREW TE M5X10 UNI 5739 8G	
49	59075171	0	EXHAUST	
50	58075160	0	FLEXIBLE HOSE	
51	58170512	0	EYELET	
52	F0843110010	0	THREADED TERMINAL END M18x1,5	
53	F0824113000	0	COPPER WASHER 18X24/1,5	
54	58070513	0	FLEXIBLE HOSE	
55	58075226	0	FLEXIBLE HOSE	
56	F0835037000	0	NIPPLE	
57	F0824141000	0	COPPER WASHER 21x27/1,5	
58	F0801297000	0	SEEGER RING E 40 UNI 7435	
59	F0825980030	0	COUPLING	
60/1	F0852550010	0	GUARD	
60/2	F0852550020	0	GUARD	
60/3	F0852550030	0	GUARD	
61	56370081	0	PLUG	
62	F0844273090	0	GASKET 22X28X1,5 CU 99,5	

SERIAL

CONTROL VALVES WITHOUT FREE DISCHARGE VERSION

Power: 70 CV, 80 CV, 90 CV

CODE REV

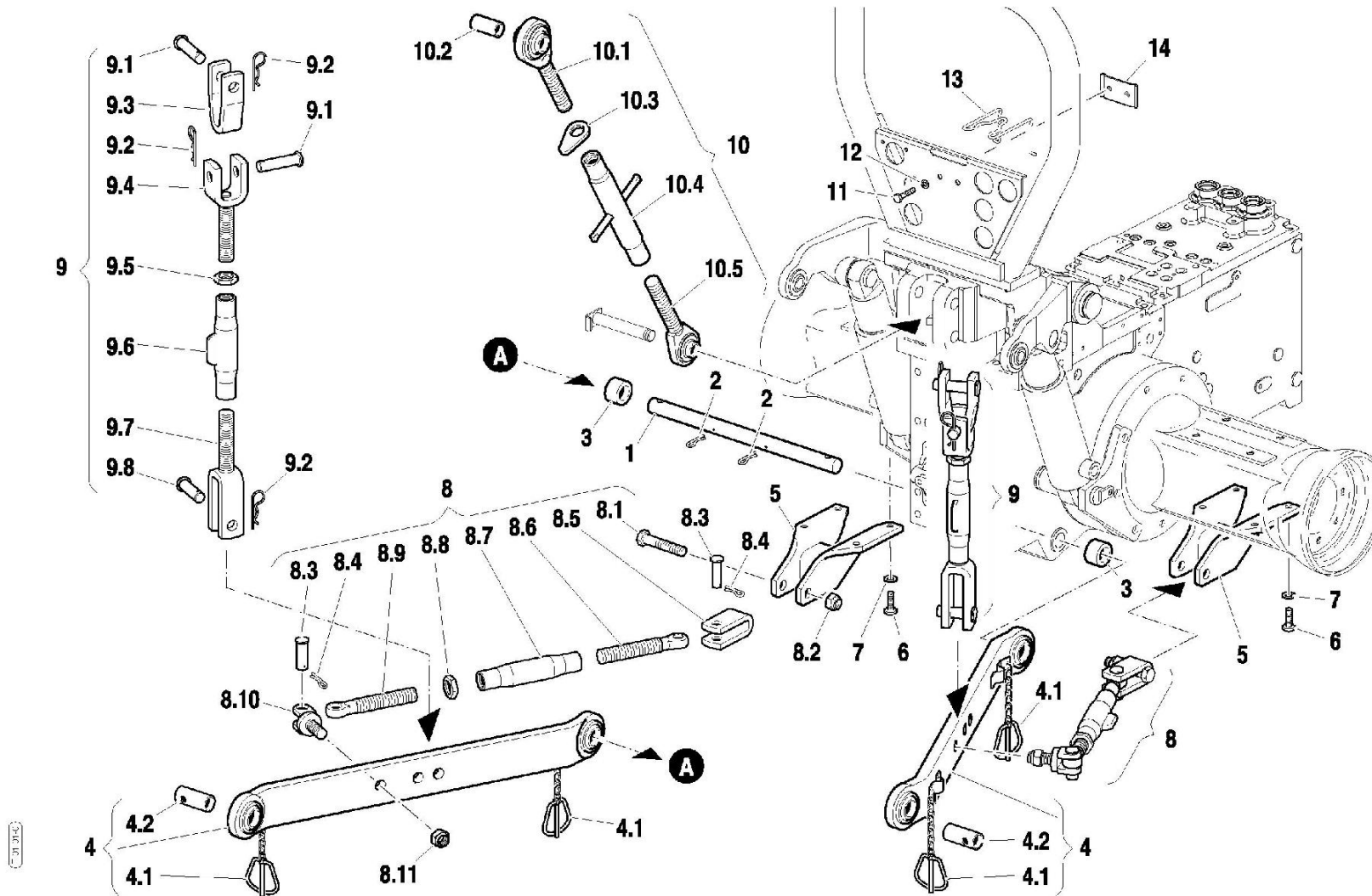
M0202_0_17999



ATTACCO ATTREZZI - VERSIONE BASE
 IMPLEMENTS ATTACHMENT - STANDARD
 ATTELAGE OUTILS - SERIE
 GERÄTE ANSCHLUSS - SERIE
 ENGANCHE INSTRUMENTOS - SERIE

Validità		
70	80	90
RS-M	RS-R	

Tavola	Rev.	Data
T.01.01	0	05/2003



Pos.	Code	Q.ty	Description	Notes
1	56574008	0	NON RETURN ARM BAR (75841/2)	
2	F0810622010	0	SPLIT PIN A4X40 UNI 1336	
3	56170392	0	SPACER	
4	58071322	0	BOTTOM LINK	
4.1	F0852107050	0	PISTON PIN	
4.2	58171021	0	REDUCING BUSH	
5	59070316	0	SUPPORT	
6	31112211	0	SCREW TE M10X30 UNI 5739	
7	F0843755000	0	WASHER 10	
8	58070315	0	ROD	
8.10	58070481	0	FORK	
8.1	F0864379010	0	SCREW M16X80 UNI 5737	
8.11	F0814838050	0	SELFLOCK NUT M18 CL:6	
8.2	31241160	0	SELFLOCK NUT M16 6S	
8.3	58070480	0	PIN	
8.4	34110029	0	SPLIT PIN	
8.5	58070484	0	BRACKET	
8.6	58070558	0	TIRANTE FILETTATO SINISTRO fp	
8.7	58070559	0	PIPE	
8.8	F0814907000	0	NUT M24X2	
8.9	58070560	0	ROD	
9	58073205	0	ROD	
9.1	58071755	0	PIN	
9.2	F0851486000	0	SPLIT PIN	
9.3	58075843	0	FORK	
9.4	58073212	0	ROD	
9.5	F0814907000	0	NUT M24X2	
9.6	58072054	0	PIPE	
9.7	58073206	0	ROD	
9.8	58070482	0	PIN	
10	58073034	0	3-POINT HITCH	
10.1	58173074	0	TIP	
10.2	56073059	0	REDUCING BUSH	
10.3	58171006	0	RETAINING WASHER	

SERIAL

IMPLEMENTS ATTACHMENT - STANDARD

Power: 70 CV, 80 CV, 90 CV

CODE REV

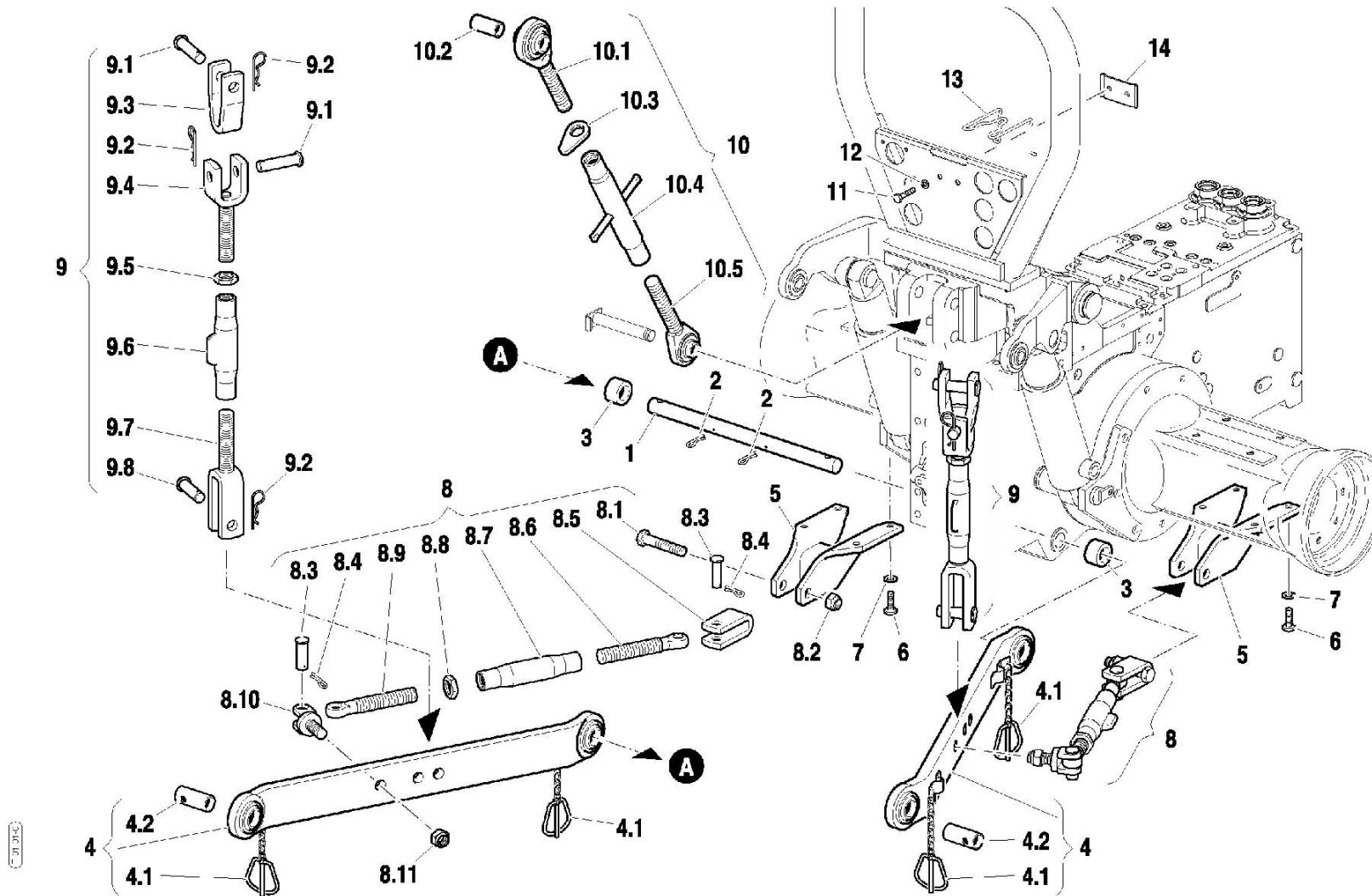
T0101_0_18136



ATTACCO ATTREZZI - VERSIONE BASE
 IMPLEMENTS ATTACHMENT - STANDARD
 ATTELAGE OUTILS - SERIE
 GERÄTE ANSCHLUSS - SERIE
 ENGANCHE INSTRUMENTOS - SERIE

Validità		
70	80	90
RS-M	RS-R	

Tavola	Rev.	Data
T.01.01	0	05/2003



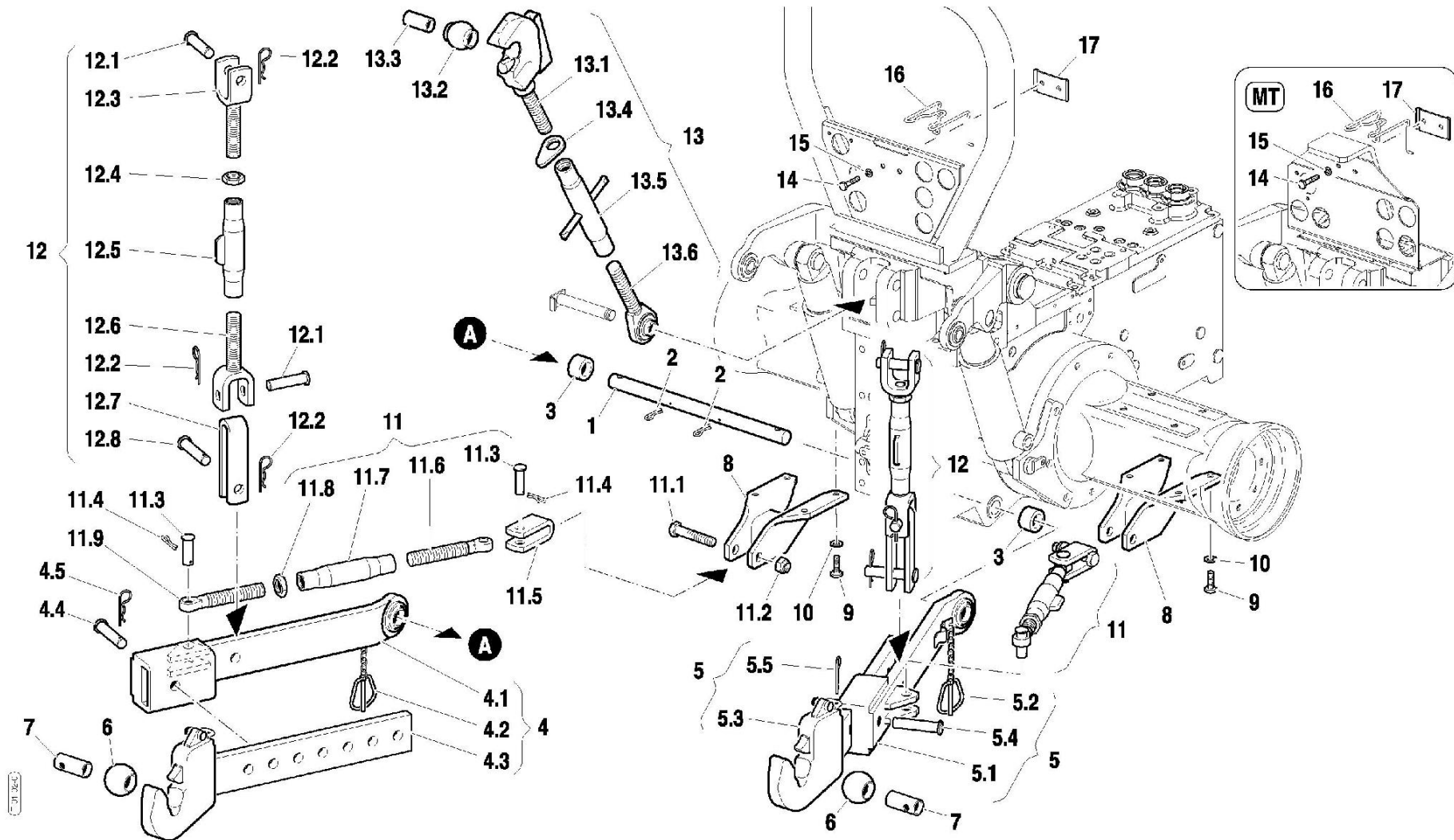
Pos.	Code	Q.ty	Description	Notes
10.4	58173075	0	CORPO PUNTO 3°PUNTO	
10.5	58171004	0	TIP	
11	31112150	0	SCREW TE M8X20 UNI 5739 8G	
12	F0843643060	0	WASHER 8	
13	58170449	0	RETAINING SPRING	
14	59070448	0	FIXING BRACKET	



ATTACCO ATTREZZI - BRACCI REGISTRABILI CON AGGANCI RAPIDI
 IMPLEMENTS ATTACHMENT - ADJUSTABLE ARMS WITH QUICK HITCHES
 ATTELAGE OUTILS - BRAS RÉGLABLES AVEC CROCHETS RAPIDES
 GERÄTE ANSCHLUSS - VERSTELLBARE ARME MIT SCHNELLKUPPLUNG
 ENGANCHE INSTRUMENTOS - BRAZOS AJUSTABLE CON ENGANCHES RAPIDOS

Validità		
70	80	90
RS-M	RS-R	MT

Tavola	Rev.	Data
T.01.02	0	05/2003



Pos.	Code	Q.ty	Description	Notes
1	56574008	0	NON RETURN ARM BAR (75841/2)	
2	F0810622010	0	SPLIT PIN A4X40 UNI 1336	
3	56170392	0	SPACER	
4	58071872	0	ARM	
4.1	58071864	0	TIP	
4.2	F0852107050	0	PISTON PIN	
4.3	58071188	0	TIP	
4.4	56371101	0	PIN	
4.5	F0851486000	0	SPLIT PIN	
5	58071873	0	RIGHT ARM	
5.1	58071864	0	TIP	
5.2	F0852107050	0	PISTON PIN	
5.3	58071189	0	TIP	
5.4	56371101	0	PIN	
5.5	F0851486000	0	SPLIT PIN	
6	58171000	0	JOINT	
7	58171021	0	REDUCING BUSH	
8	59070316	0	SUPPORT	
9	31112211	0	SCREW TE M10X30 UNI 5739	
10	F0843755000	0	WASHER 10	
11	58071196	0	ROD	
11.1	F0864379010	0	SCREW M16X80 UNI 5737	
11.2	31241160	0	SELFLOCK NUT M16 6S	
11.3	58070480	0	PIN	
11.4	34110029	0	SPLIT PIN	
11.5	58070484	0	BRACKET	
11.6	58070558	0	TIRANTE FILETTATO SINISTRO fp	
11.7	58070559	0	PIPE	
11.8	F0814907000	0	NUT M24X2	
11.9	58070560	0	ROD	
12	58072056	0	ROD	
12.1	58071755	0	PIN	
12.2	F0851486000	0	SPLIT PIN	
12.3	58072053	0	ROD	

SERIAL

IMPLEMENTS ATTACHMENT - ADJUSTABLE ARMS WITH QUICK HITCHES

Power: 70 CV, 80 CV, 90 CV

CODE REV

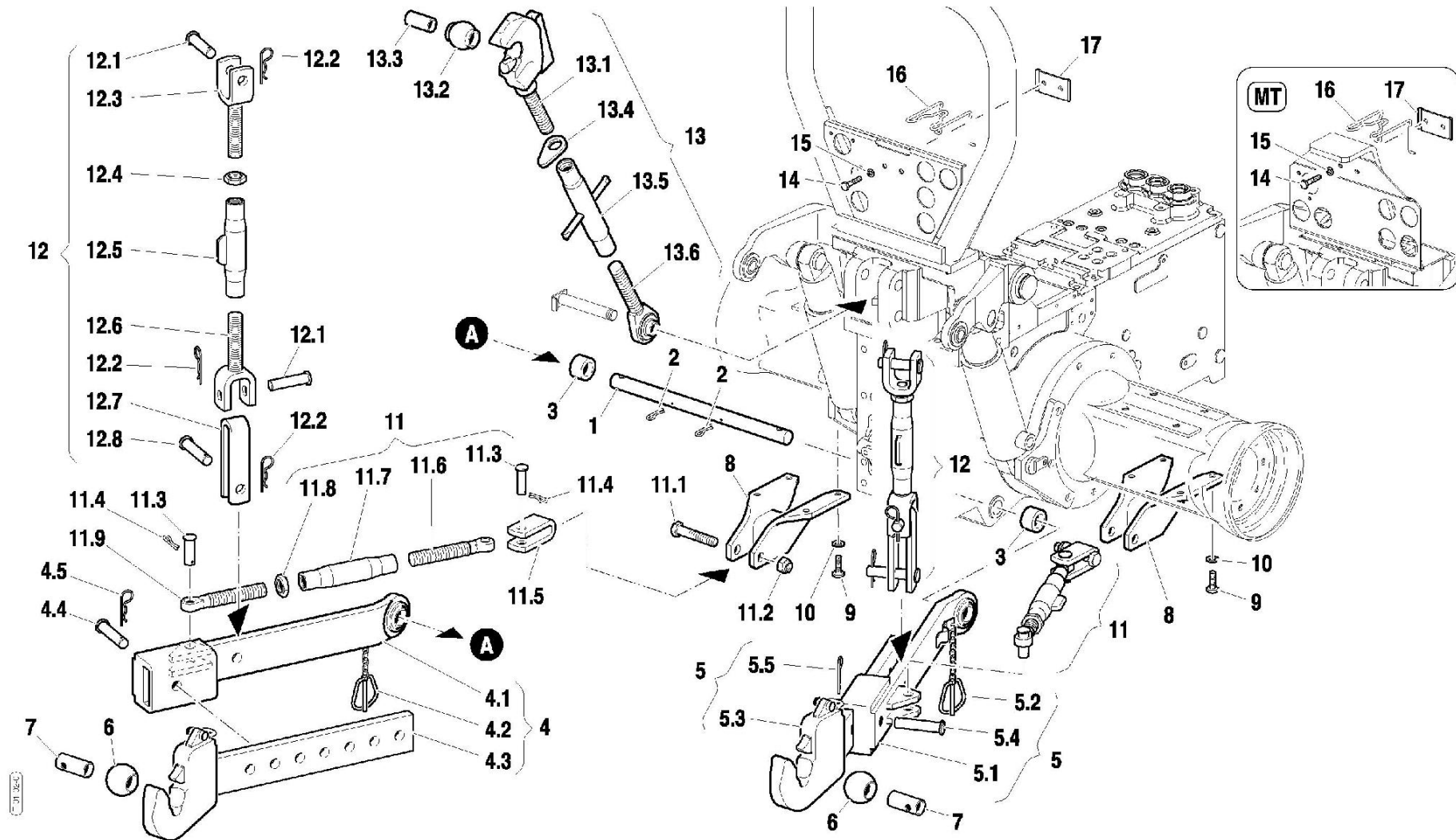
T0102_0_18177



ATTACCO ATTREZZI - BRACCI REGISTRABILI CON AGGANCI RAPIDI
 IMPLEMENTS ATTACHMENT - ADJUSTABLE ARMS WITH QUICK HITCHES
 ATTELAGE OUTILS - BRAS RÉGLABLES AVEC CROCHETS RAPIDES
 GERÄTE ANSCHLUSS - VERSTELLBARE ARME MIT SCHNELLKUPPLUNG
 ENGANCHE INSTRUMENTOS - BRAZOS AJUSTABLE CON ENGANCHES RAPIDOS

Validità		
70	80	90
RS-M	RS-R	MT

Tavola	Rev.	Data
T.01.02	0	05/2003



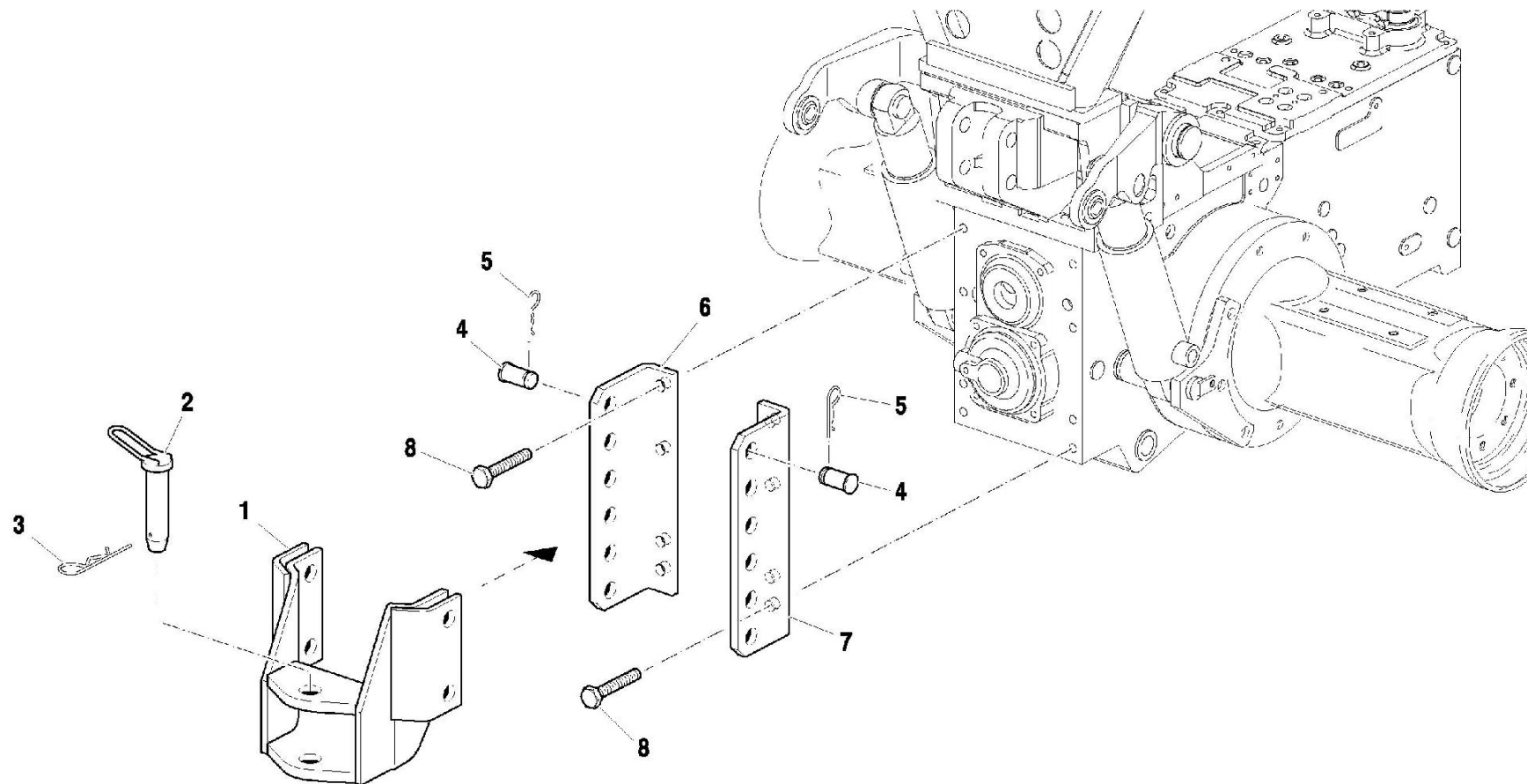
Pos.	Code	Q.ty	Description	Notes
12.4	F0814907000	0	NUT M24X2	
12.5	58072054	0	PIPE	
12.6	58072055	0	ROD	
12.7	58071758	0	FORK	
12.8	56371101	0	PIN	
13	58070848	0	3-POINT HITCH	
13.1	58171007	0	TIP	
13.2	58173072	0	JOINT	
13.3	56073059	0	REDUCING BUSH	
13.4	58171006	0	RETAINING WASHER	
13.5	58171005	0	BODY	
13.6	58171004	0	TIP	
14	31112150	0	SCREW TE M8X20 UNI 5739 8G	
15	F0843643060	0	WASHER 8	
16	58170449	0	RETAINING SPRING	
17	59070448	0	FIXING BRACKET	



GANCIO DI TRAINO - VERSIONE BASE
PULL HOOK - STANDARD
CROCHET DE TRACTION - SERIE
ZUGHAKEN - SERIE
GANCHO DE REMOLQUE - SERIE

Validità				
70	80	90		
RS-M	RS-R	MT	AR-M	AR-R

Tavola	Rev.	Data
T.03.01	0	05/2003



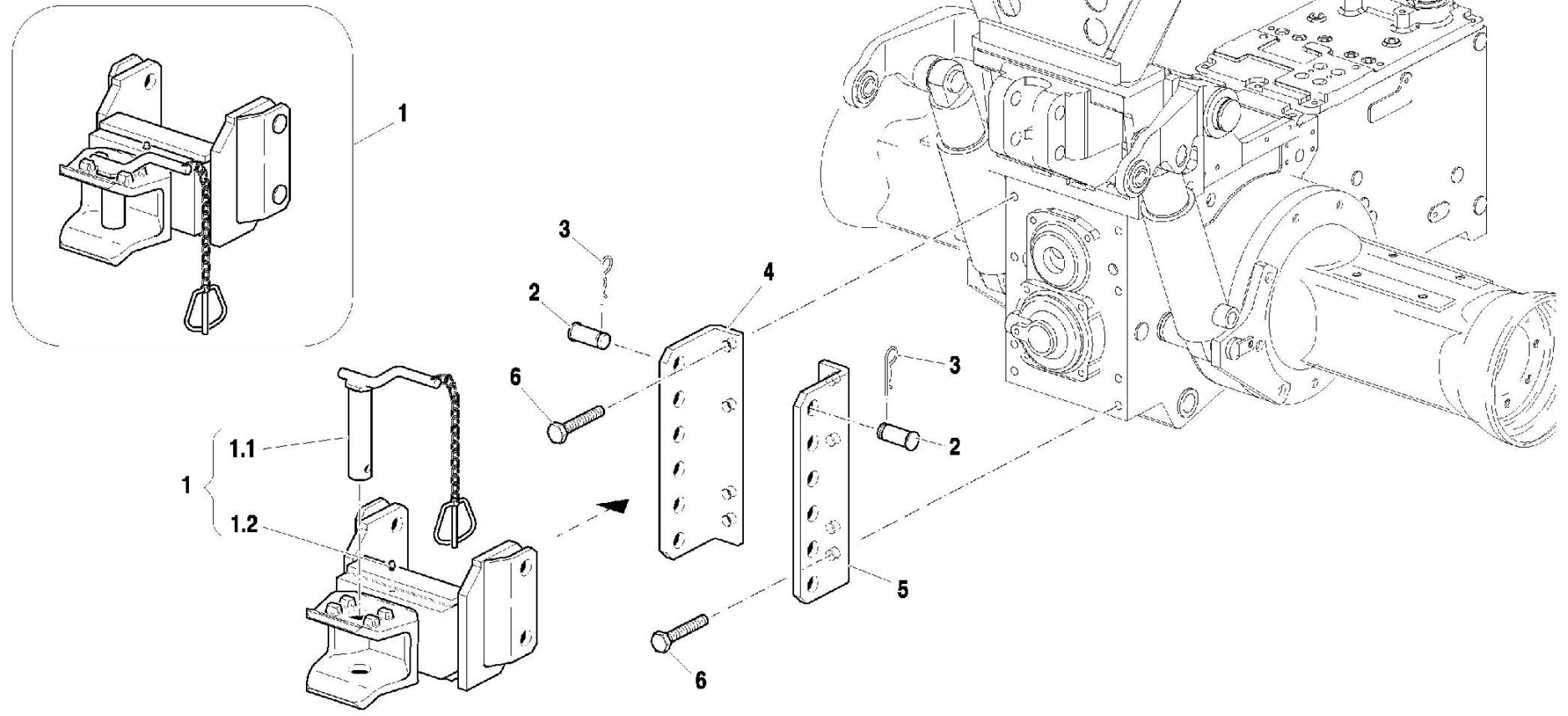
Pos.	Code	Q.ty	Description	Notes
1	59070702	0	TOW HOOK	
2	F0808060100	0	LATCH D.28X117	
3	F0851497000	0	SPLIT PIN	
4	56370696	0	PIN	
5	F0851486000	0	SPLIT PIN	
6	56170704	0	SUPPORT	
7	56170705	0	SUPPORT	
8	F0864180000	0	SCREW M14X30 UNI 5740	



GANCIO DI TRAINO OMOLOGATO SECONDO NORME "CEE"
POOL HOOK "EEC" APPROVED
CROCHET DE TRACTION HOMOL. "CEE"
" EWG" FREIGELEGEBENE ZUGHAKEN
GANCHO DE REMOLQUE HOMOL. "CEE"

Validità				
70	80	90		
RS-M	RS-R	MT	AR-M	AR-R

Tavola	Rev.	Data
T.03.02	0	05/2003



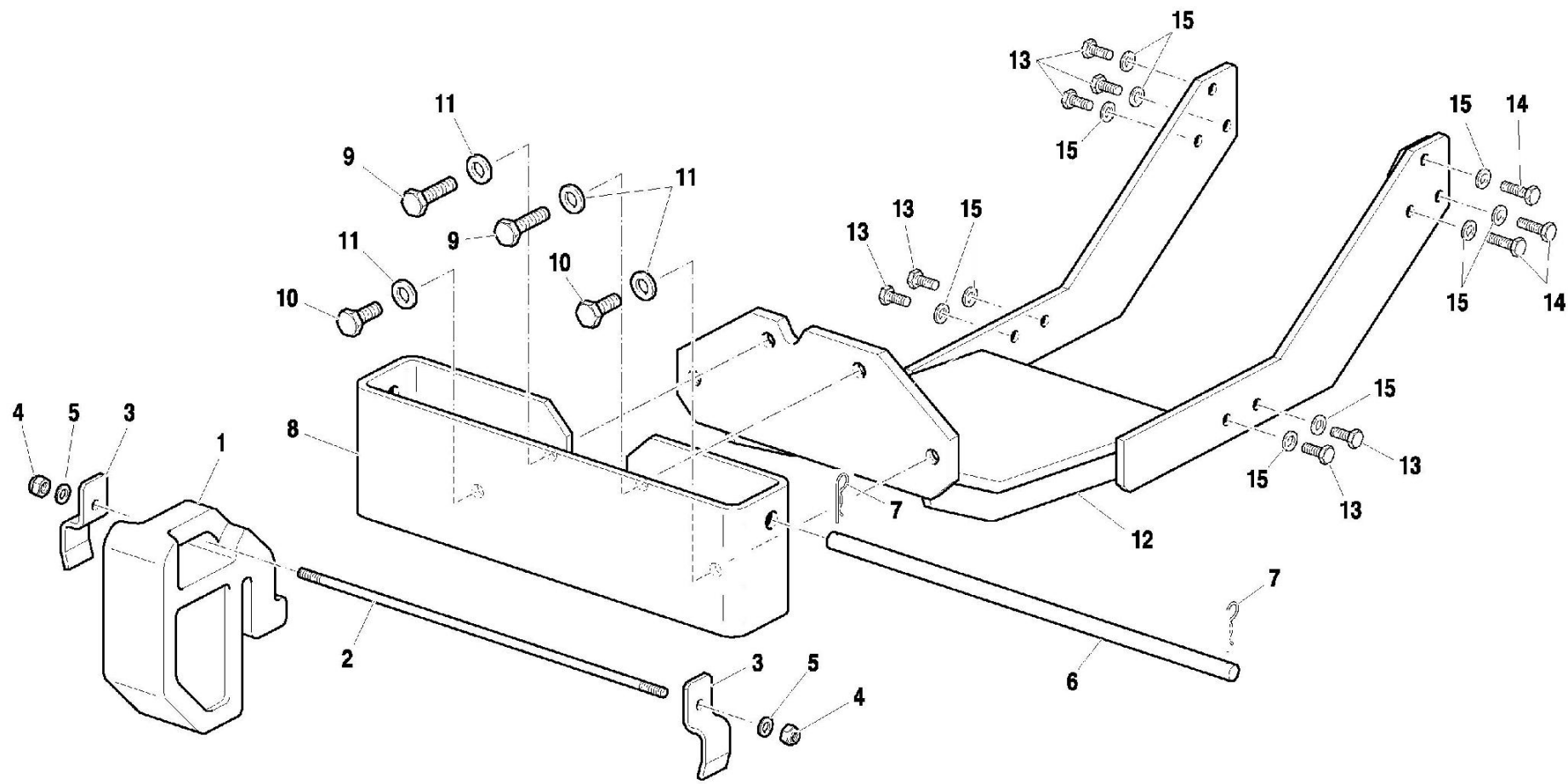
Pos.	Code	Q.ty	Description	Notes
1	59375009	0	TOW HOOK	
1.1	59075012	0	PIN	
1.2	F0826056000	0	LUBRICATOR M10 UNI 7663A	
2	56375008	0	PIN	
3	F0851486000	0	SPLIT PIN	
4	56170704	0	SUPPORT	
5	56170705	0	SUPPORT	
6	F0864180000	0	SCREW M14X30 UNI 5740	



ZAVORRE ANTERIORI
FRONT BALLASTS
LESTS ANTERIEURS
VORDERE BALLASTEN
LASTRES ANTERIORES

Validità				
70				
RS-M	RS-R	MT	AR-M	AR-R

Tavola	Rev.	Data
T.04.01	0	05/2003



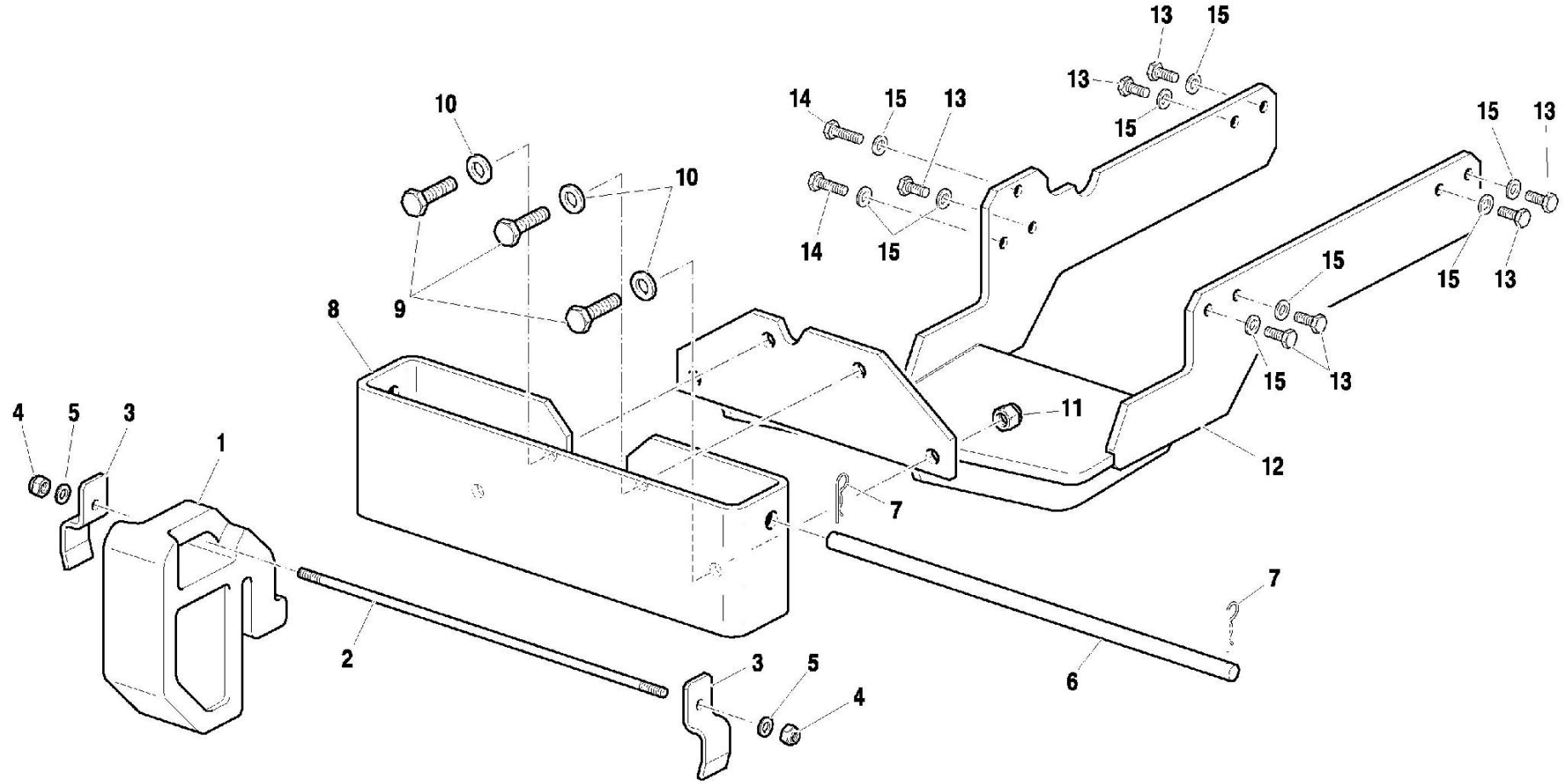
Pos.	Code	Q.ty	Description	Notes
1	F0150051050	0	FRONT BALLAST	
2	56075238	0	ROD	
3	F0150051145	0	SQUARE	
4	31241100	0	SELFLOCK NUT M10 6S	
5	31411105	0	WASHER 10,5x21	
6	56075237	0	ROD	
7	F0851486000	0	SPLIT PIN	
8	59075239	0	BALLAST CARRIER	
9	F0864245000	0	SCREW M14X45 UNI 5737	
10	31111330	0	SCREW TE M14X30 UNI 5739 8G	
11	F0843921030	0	WASHER 14	
12	59075611	0	BRACE	
13	31112219	0	SCREW TE M10X25 UNI 5739	
14	31112212	0	SCREW TE M10X35 UNI 5739	
15	F0843755000	0	WASHER 10	



ZAVORRE ANTERIORI
FRONT BALLASTS
LESTS ANTERIEURS
VORDERE BALLASTEN
LASTRES ANTERIORES

Validità				
80		90		
RS-M	RS-R	MT	AR-M	AR-R

Tavola	Rev.	Data
T.04.02	0	05/2003



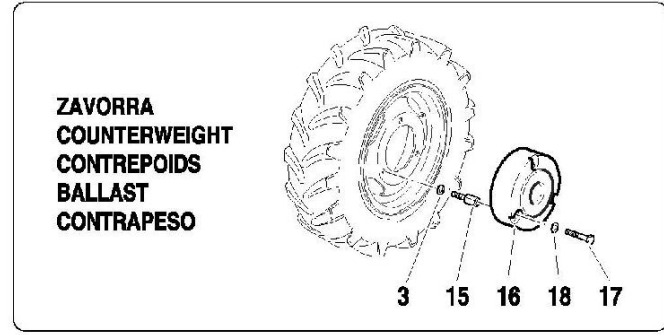
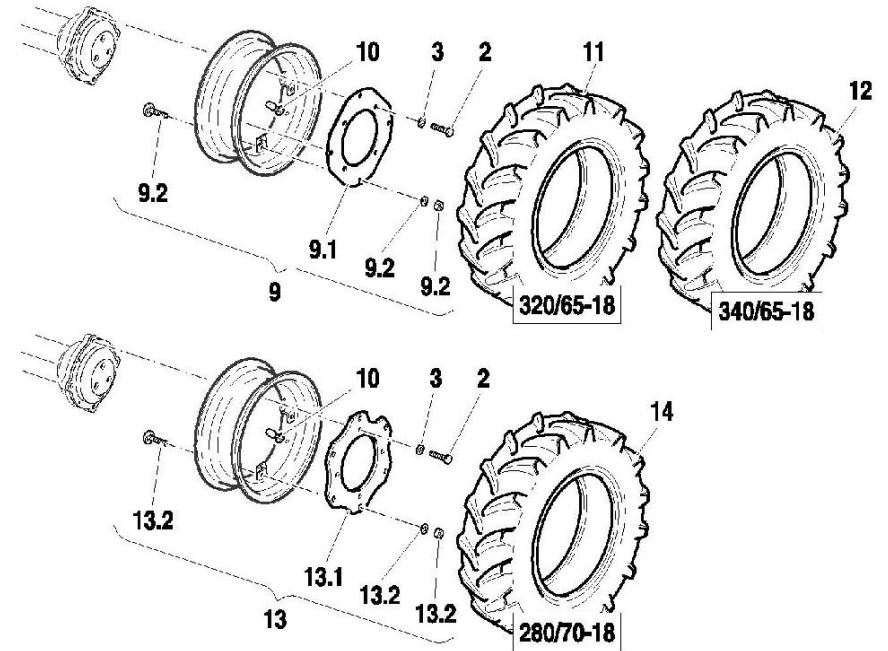
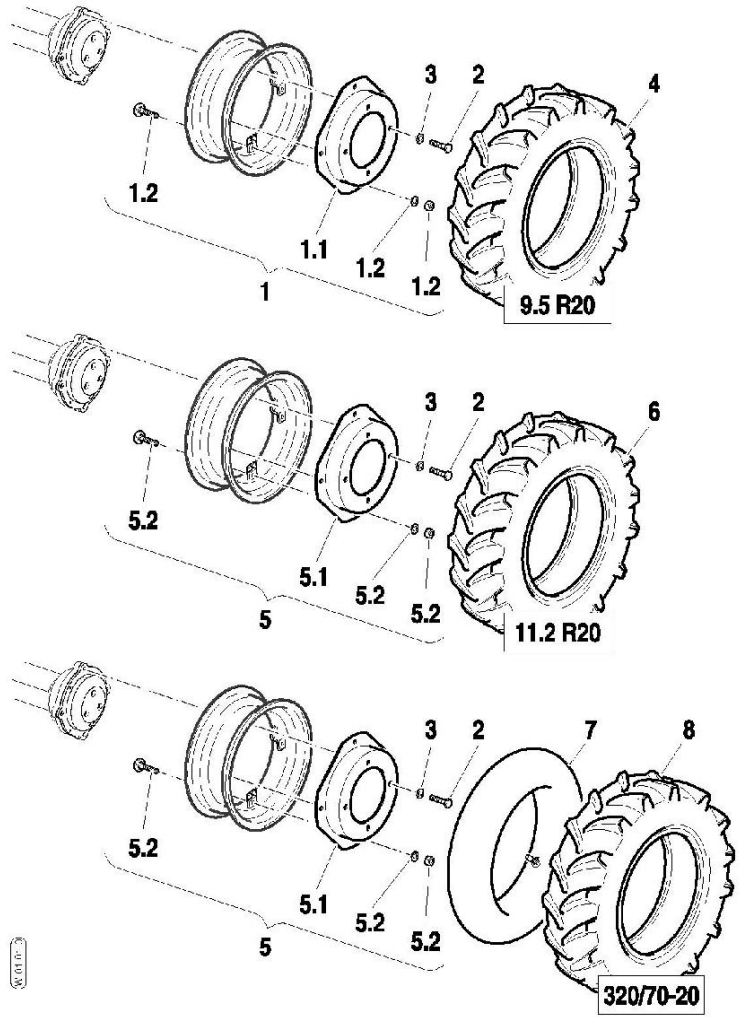
Pos.	Code	Q.ty	Description	Notes
1	F0150051050	0	FRONT BALLAST	
2	56075238	0	ROD	
3	F0150051145	0	SQUARE	
4	31241100	0	SELFLOCK NUT M10 6S	
5	31411105	0	WASHER 10,5x21	
6	56075237	0	ROD	
7	F0851486000	0	SPLIT PIN	
8	59075239	0	BALLAST CARRIER	
9	F0864245000	0	SCREW M14X45 UNI 5737	
10	F0843921030	0	WASHER 14	
11	F0814756000	0	NUT M14	
12	59075438	0	BRACE	
13	31112219	0	SCREW TE M10X25 UNI 5739	
14	31112212	0	SCREW TE M10X35 UNI 5739	
15	F0843755000	0	WASHER 10	



RUOTE E PNEUMATICI (TAVOLA 1/2)
 WHEELS AND TYRES (TABLE 1/2)
 ROUES ET PNEUMATIQUES (TABLE 1/2)
 RÄDER U. REIFEN (TAFEL 1/2)
 RUEDAS Y NEUMÁTICOS (TABLA 1/2)

Validità		
70	80	90
RS-M	RS-R	

Tavola	Rev.	Data
W.01.01	0	05/2003



W.01.01

Pos.	Code	Q.ty	Description	Notes
1	59270304	0	RIM	
1.1	58170181	0	DISC	
1.2	59900361	0	KIT	
2	F0864410500	0	SCREW M18X1,5/45 U/5740	
3	F0844150000	0	WASHER D.30x18,5/5	
4	F0848664000	0	TYRE 9.5-R20	
5	59270303	0	RIM	
5.1	58170181	0	DISC	
5.2	59900361	0	KIT	
6	F0848680000	0	TYRE 11.2-R20	
7	F0848940000	0	INNER TUBE	
8	F0848679500	0	TYRE 320/70R20	
9	59275632	0	RIM	
9.1	58175630	0	RIM	
9.2	59900361	0	KIT	
10	F0150010905	0	VALVE	
11	F0848679600	0	TYRE 320/65R18	
12	P00000000912	0	TYRE 340/65R18	
13	59275396	0	RIM	
13.1	58175393	0	FLANGIA CERCHIO W8X18 RAL 1003	
13.2	59900362	0	KIT	
14	F0848655100	0	TYRE 280/70R18	
15	56370539	0	SPECIAL SCREW	
16	51170540	0	BALLAST	
17	F0864314000	0	SCREW M14X65 UNI 5737	
18	F0843993060	0	WASHER 28x15/4	

SERIAL

WHEELS AND TYRES (TABLE 1/2)

Power: 70 CV, 80 CV, 90 CV

CODE REV

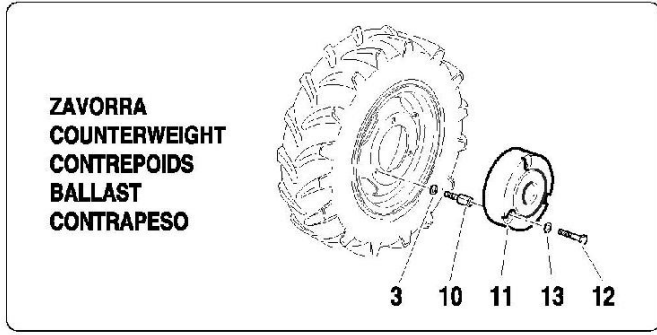
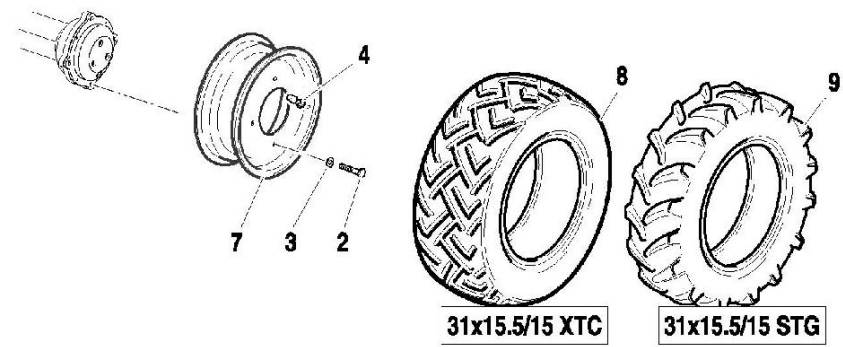
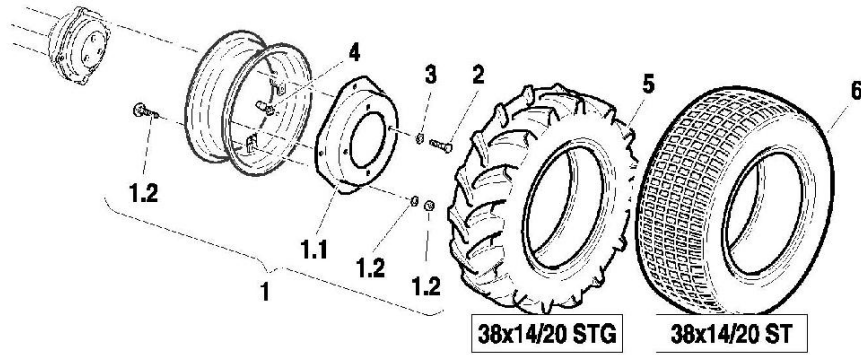
W0101_0_18360



RUOTE E PNEUMATICI (TAVOLA 2/2)
 WHEELS AND TYRES (TABLE 2/2)
 ROUES ET PNEUMATIQUES (TABLE 2/2)
 RÄDER U. REIFEN (TAFEL 2/2)
 RUEDAS Y NEUMÁTICOS (TABLA 2/2)

Validità		
70	80	90
RS-M	RS-R	

Tavola	Rev.	Data
W.01.02	0	05/2003



W.01.02.3

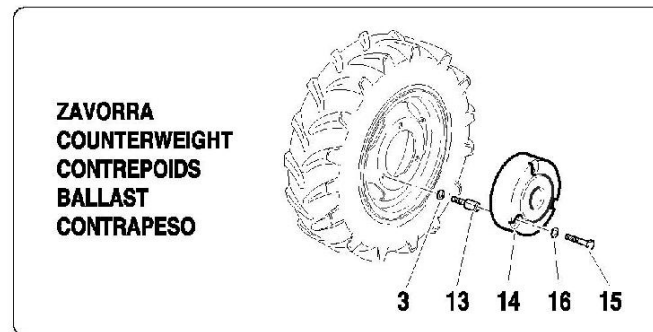
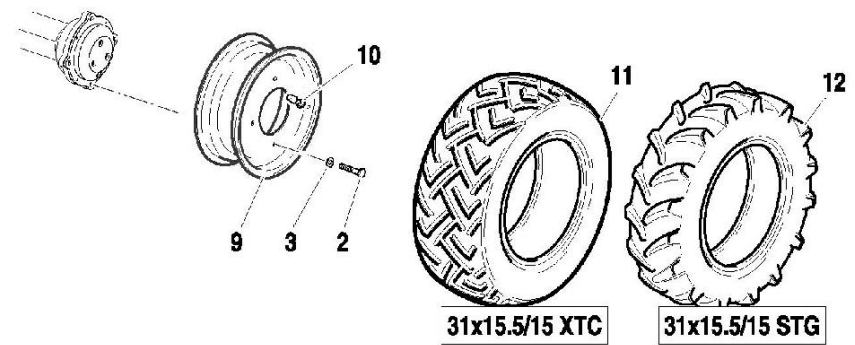
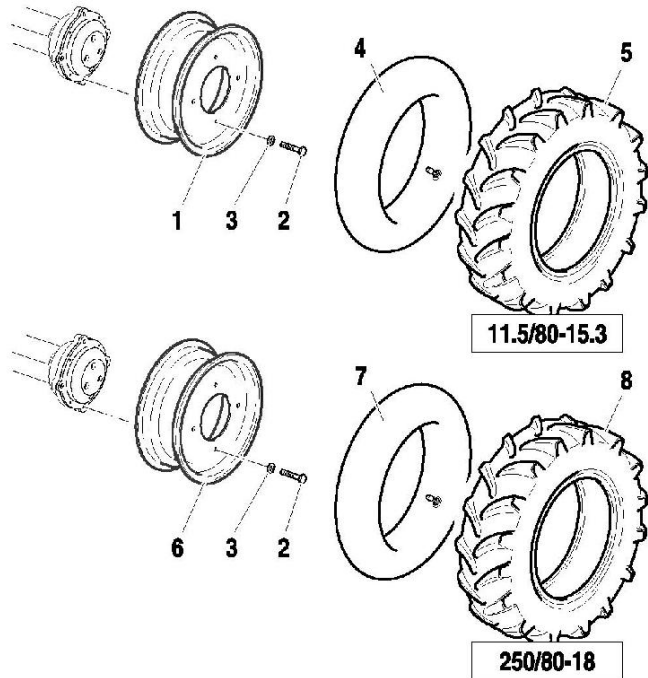
Pos.	Code	Q.ty	Description	Notes
1	59270302	0	RIM	
1.1	58170181	0	DISC	
1.2	59900361	0	KIT	
2	F0864410500	0	SCREW M18X1,5/45 U/5740	
3	F0844150000	0	WASHER D.30x18,5/5	
4	F0150010905	0	VALVE	
5	F0848683500	0	TYRE 38X14.00-20 8PR	
6	F0848683000	0	TYRE	
7	58175205	0	RIM	
8	F0848681600	0	TYRE 31X15.5-15 8PR	
9	F0848681605	0	TYRE 31X15.5-15	
10	56370539	0	SPECIAL SCREW	
11	51170540	0	BALLAST	
12	F0864314000	0	SCREW M14X65 UNI 5737	
13	F0843993060	0	WASHER 28x15/4	



RUOTE E PNEUMATICI (TAVOLA 2/2)
 WHEELS AND TYRES (TABLE 2/2)
 ROUES ET PNEUMATIQUES (TABLE 2/2)
 RÄDER U. REIFEN (TAFEL 2/2)
 RUEDAS Y NEUMÁTICOS (TABLA 2/2)

Validità		
70	80	90
	AR-M	AR-R

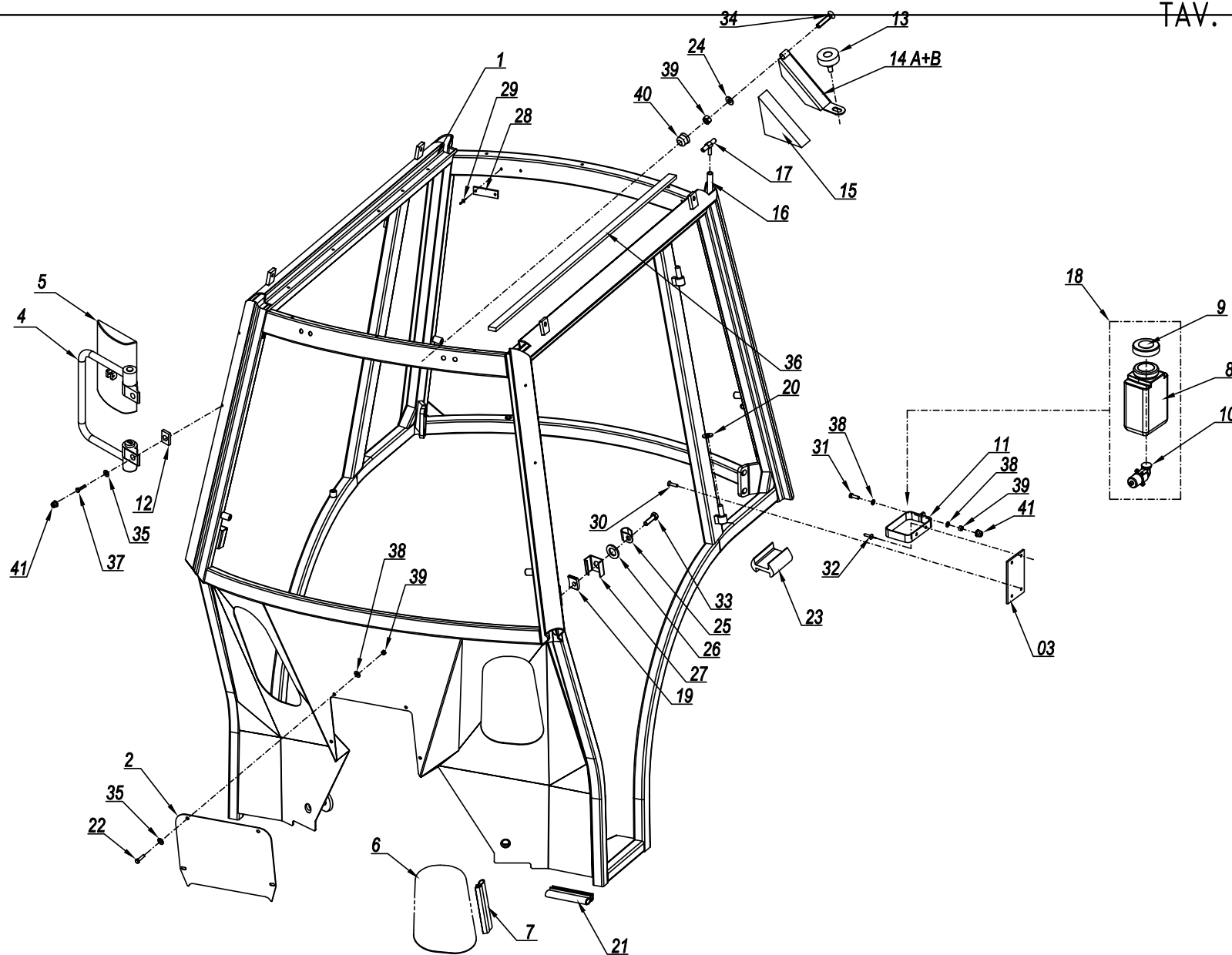
Tavola	Rev.	Data
W.03.02	0	05/2003



W.03.02.3

Pos.	Code	Q.ty	Description	Notes
1	58173178	0	RIM	
2	F0864410500	0	SCREW M18X1,5/45 U/5740	
3	F0844150000	0	WASHER D.30x18,5/5	
4	F0848844000	0	INNER TUBE	
5	F0848672100	0	TYRE 11.5/80-15.3 8PR	
6	58170938	0	RIM	
7	F0848855000	0	INNER TUBE	
8	F0848655000	0	TYRE 250/80-18 8PR	
9	58175205	0	RIM	
10	F0150010905	0	VALVE	
11	F0848681600	0	TYRE 31X15.5-15 8PR	
12	F0848681605	0	TYRE 31X15.5-15	
13	56370539	0	SPECIAL SCREW	
14	51170540	0	BALLAST	
15	F0864314000	0	SCREW M14X65 UNI 5737	
16	F0843993060	0	WASHER 28x15/4	

TAV. I



Pos.	Code	Q.ty	Description	Notes
1	59900378	1	CHASSIS FRAME	
2	59900379	1	STRIKER PLATE	
3	59900380	1	TANK SUPPORT	
4	59900381	2	ROD	
5	59900006	2	SUMP	
6	59900007	1	FRONT GLASS	
7	59900382	2	GASKET	
8	59900009	1	TANK	
9	59900010	1	TANK COVER	
10	59900011	1	ELECTRIC PUMP	
11	59900012	1	TANK SUPPORT	
12	59900383	4	SHIM	
13	59900013	1	KNOB	
15	59900386	2	FOAM RUBBER	
16	59900387	1	PIPE	
17	59900388	1	PIPE FITTING	
18	59900389	1	TANK	
19	59900028	2	SMALL PLATE	
20	59900390	4	WASHER M12X18	
21	59900391	1	GASKET	
22	31112093	4	SCREW TE M6X20 UNI 5739 8G	
23	59900392	2	GASKET	
24	59900393	2	WASHER	
25	59900026	2	CLEVIS	
26	59900027	2	SHIM M12X36	
27	59900394	2	PIN HOLDER	
28	59900029	1	PLATE	
29	59900030	2	RIVET	
30	59900395	2	RIBBED SCREW	
31	59900396	1	SCREW	
32	59900397	2	RIVET	
33	59900034	2	PIN	
34	P00000000554	2	SCREW	
35	59900398	8	WASHER M6X18	

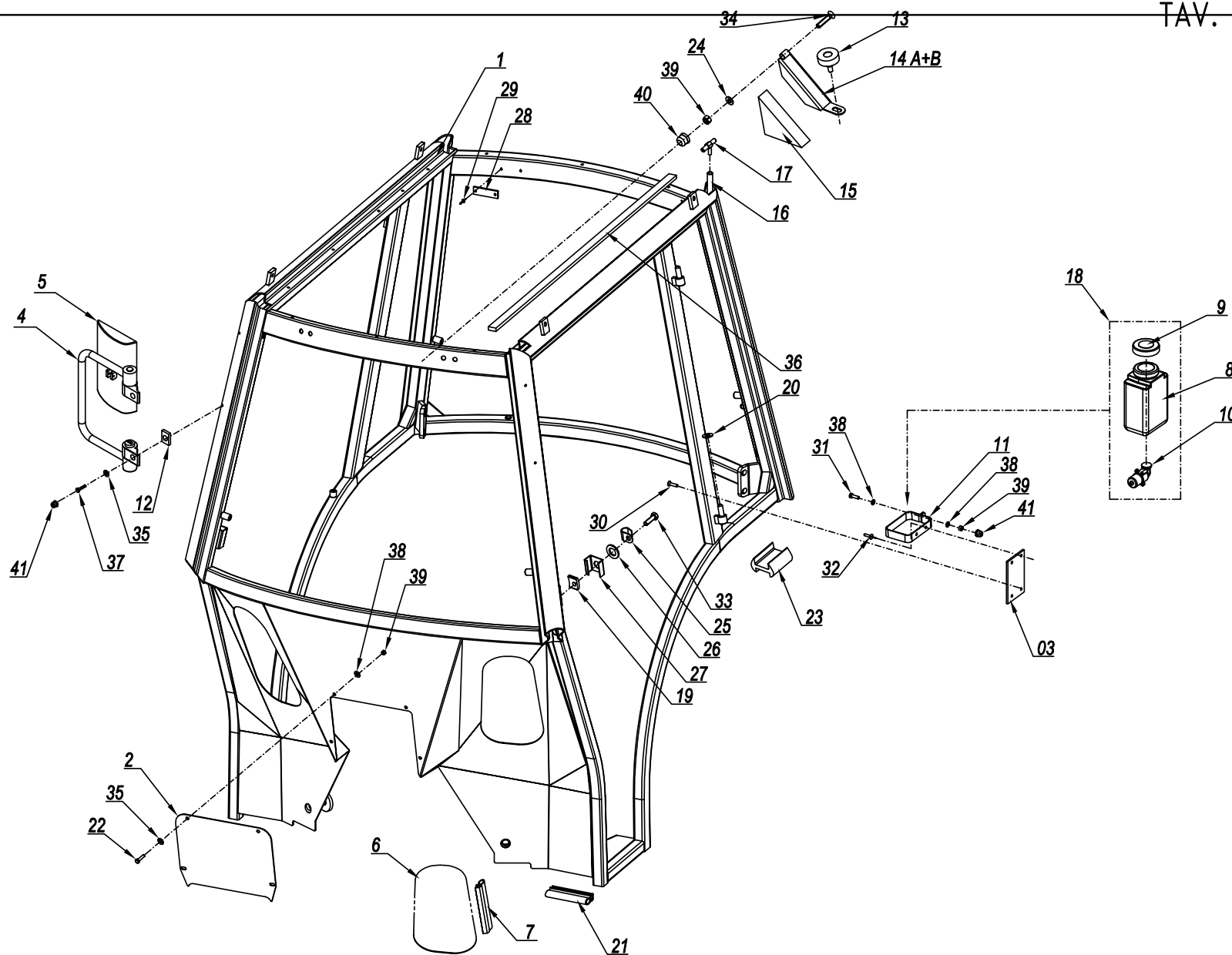
SERIAL

FRAME "LOCHMANN"

CODE REV

Y.01.01_0_44578

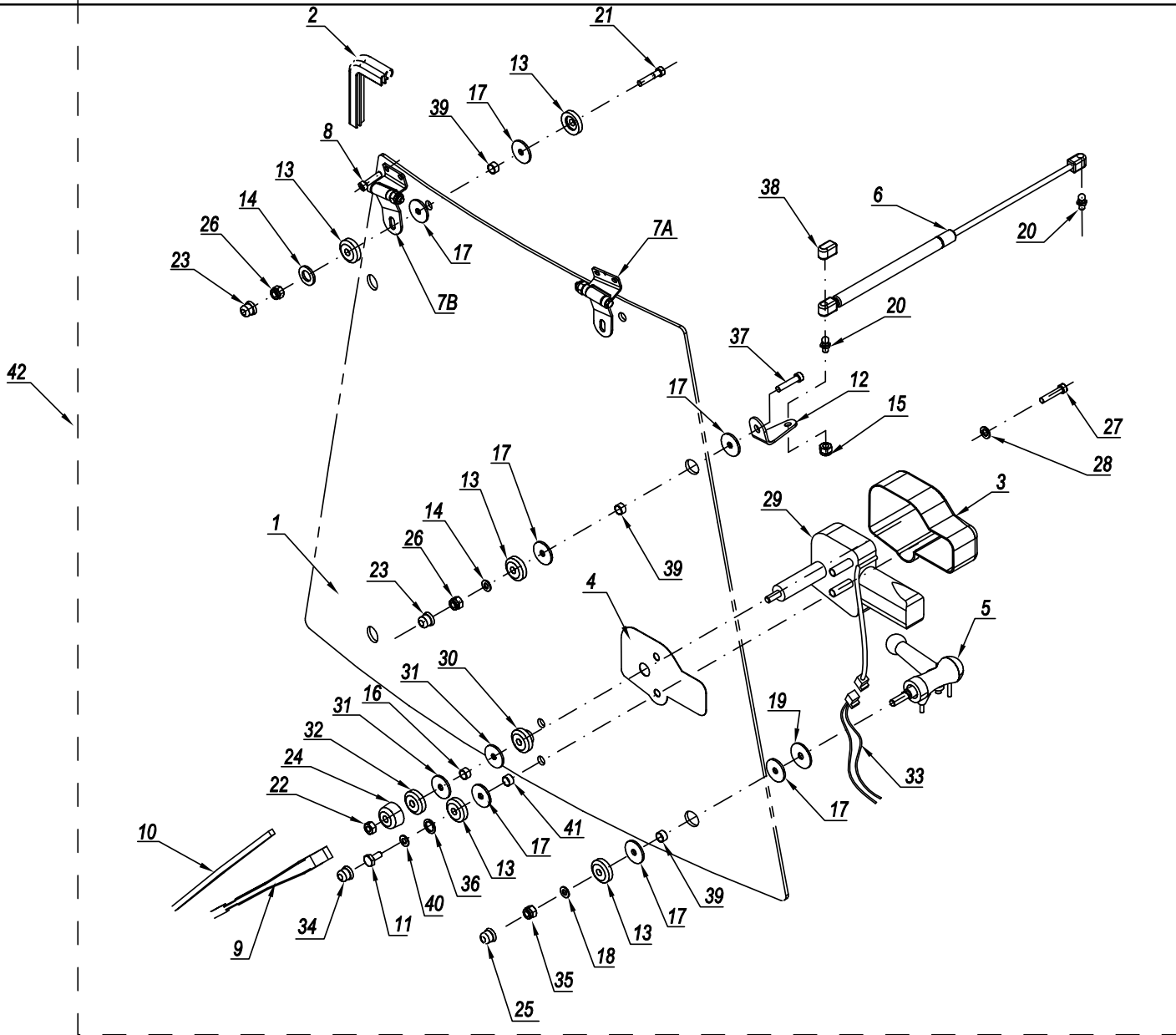
TAV. I



Pos.	Code	Q.ty	Description	Notes
36	59900399	1	FOAM RUBBER	
37	59900035	4	SCREW	
38	31411064	6	WASHER 6,4x12,5	
39	31241060	6	SELFLOCK NUT M6	
40	59900109	2	NUT COVER	
41	59900037	5	NUT COVER	
14a	59900384	1	TRIANGLE	
14b	59900385	1	TRIANGLE	

FRONT GLASS "LOCHMANN"

TAV. II



Pos.	Code	Q.ty	Description	Notes
1	59900090	1	FRONT GLASS	
2	59900400	1	GASKET	
3	59900401	1	COVER	
4	59900093	1	DECAL	
5	59900094	2	HANDLE	
6	59900095	2	PNEUMATIC SPRING	
8	31152081	4	SCREW TCEI M8X20 UNI 5931	
9	59900098	1	WIPER ARM	
10	59900098	1	WIPER ARM	
11	F0862261010	1	SCREW	
12	59900402	2	SUPPORT	
13	59900102	9	PLASTIC WASHER 10x36/8	
14	31411084	4	WASHER 8,4x17	
15	31241081	2	SELFLOCK NUT M8	
16	59900403	1	SPACER	
17	59900074	13	WASHER	
18	31411105	1	WASHER 10,5x21	
19	59900404	2	WASHER M10X36	
20	59900106	4	JOINT	
21	31122805	2	SCREW M8X40 UNI 5731	
22	31211060	1	NUT M6	
23	59900109	4	NUT COVER	
24	59900107	1	PIN COVER	
25	59900108	2	NUT COVER	
26	31241080	4	SELFLOCK NUT M8	
27	59900405	2	SCREW	
28	59900406	2	WASHER	
29	59900092	1	WIPER MOTOR	
30	59900407	1	WASHER M16 D.30MM	
31	59900408	2	WASHER	
32	59900409	1	WASHER	
33	59900410	1	CABLE	
34	59900037	1	NUT COVER	
35	31241100	1	SELFLOCK NUT M10 6S	

SERIAL

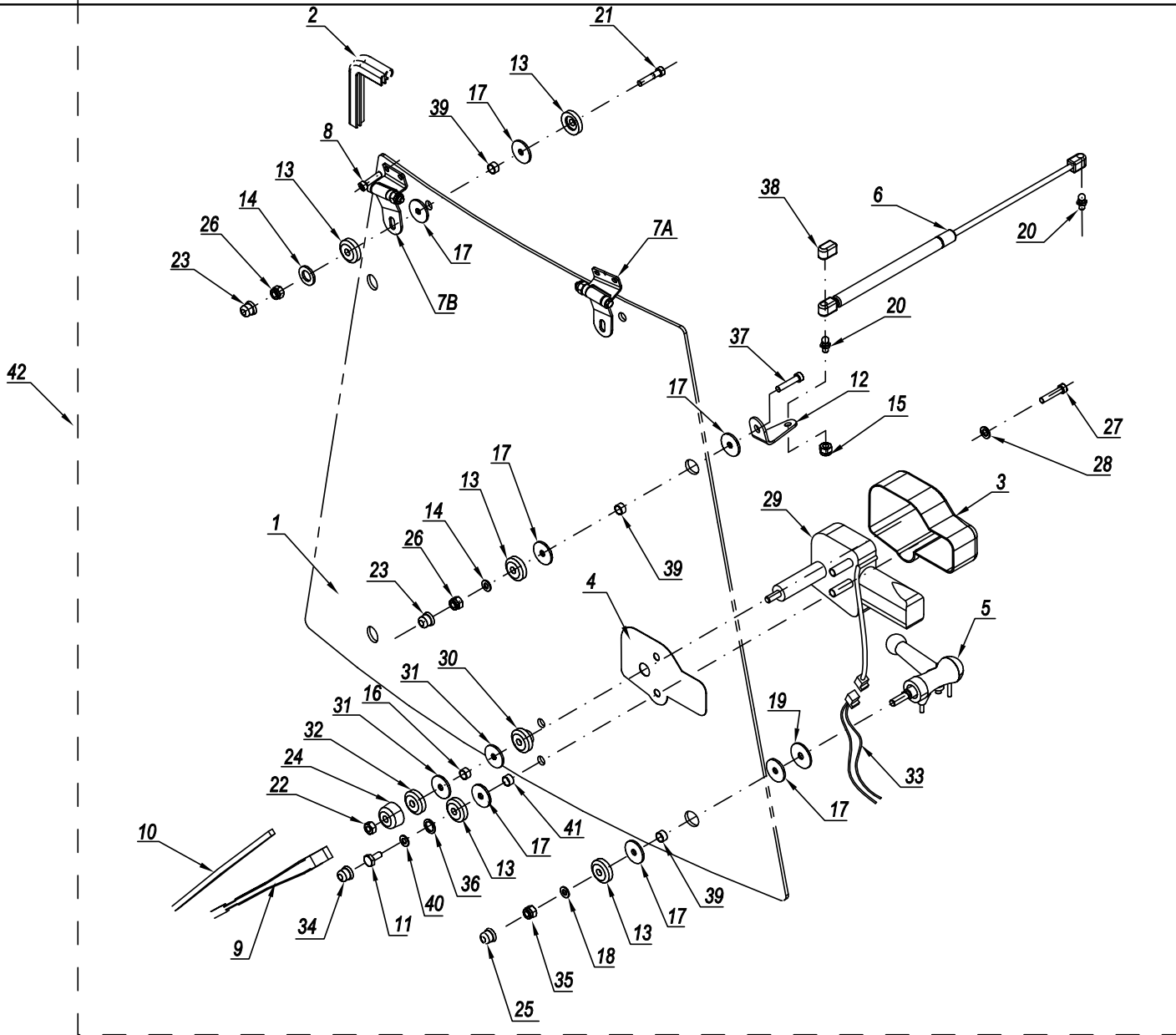
FRONT GLASS "LOCHMANN"

CODE REV

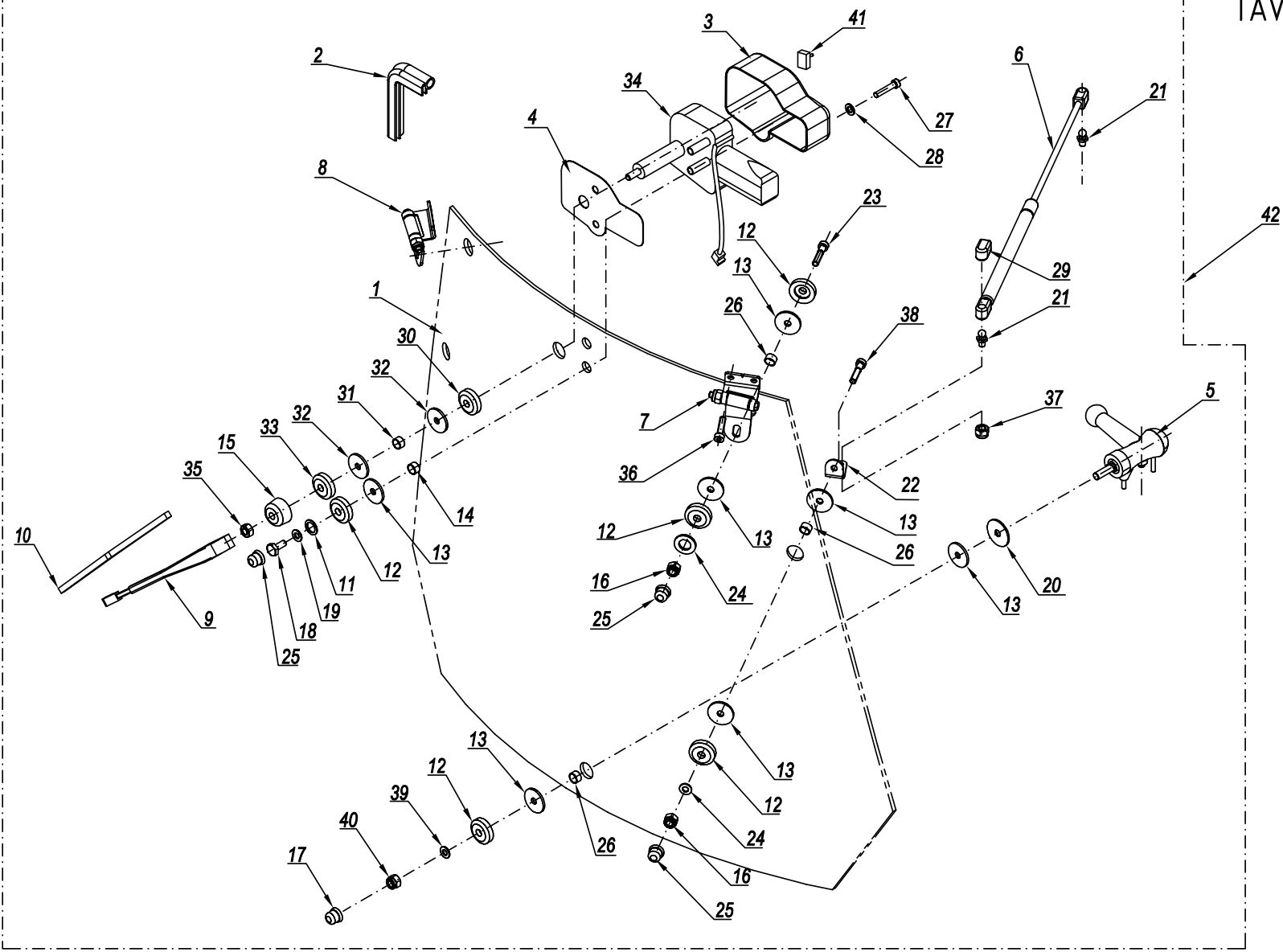
Y.01.02_0_44665

FRONT GLASS "LOCHMANN"

TAV. II



Pos.	Code	Q.ty	Description	Notes
36	59900411	1	WASHER M6X24	
37	58090333	2	SCREW	
38	59900119	4	HEAD	
39	59900103	6	RING	
40	31411064	1	WASHER 6,4x12,5	
41	59900138	1	RING	
42	59900412	1	FRONT GLASS	
7a	59900096	1	LH HINGE	
7b	59900097	1	RH HINGE	



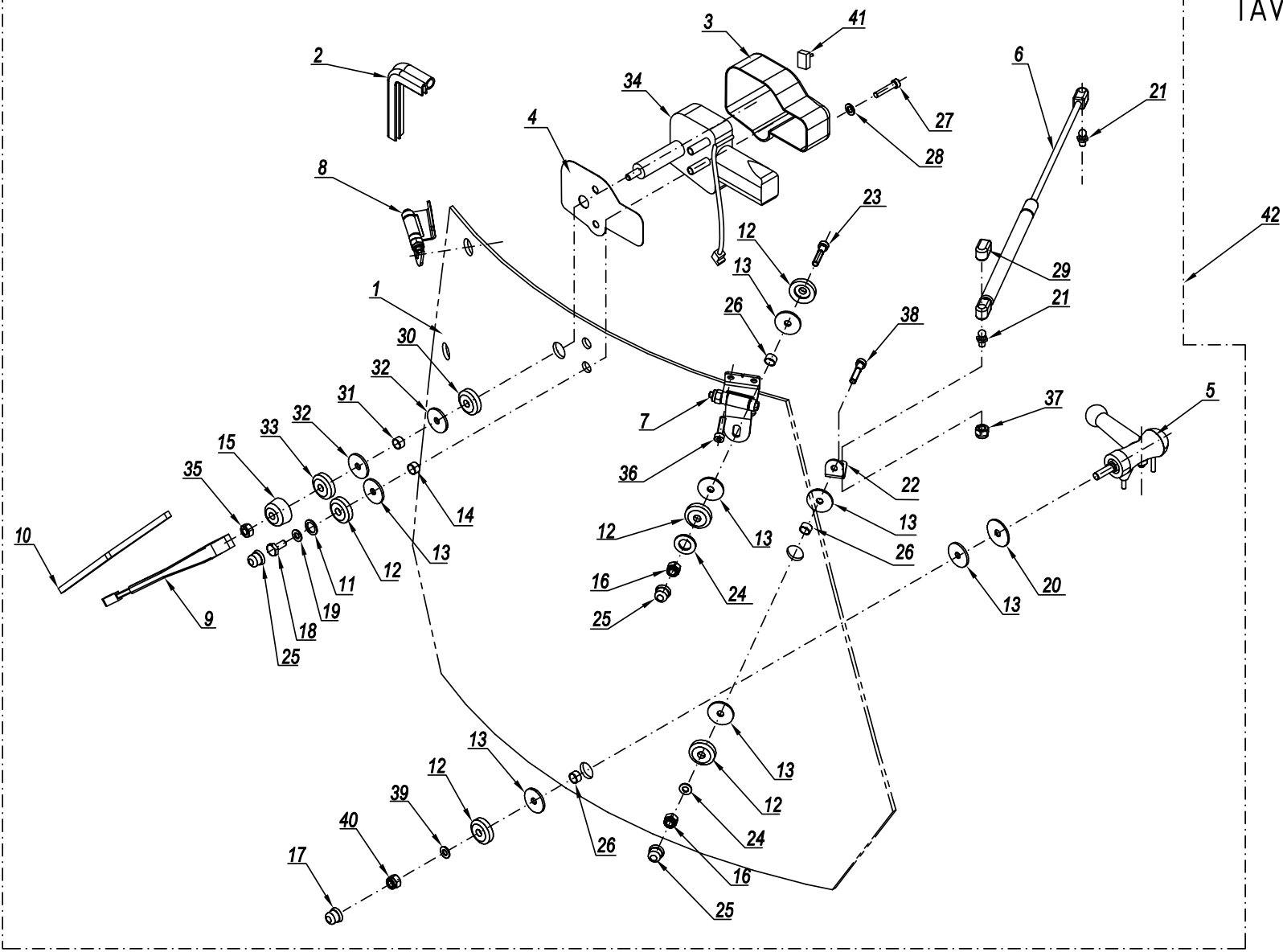
Pos.	Code	Q.ty	Description	Notes
1	59900132	1	REAR GLASS	
2	59900413	1	GLASS GASKET	
3	59900414	1	COVER	
4	59900093	1	DECAL	
5	59900094	1	HANDLE	
6	59900095	2	PNEUMATIC SPRING	
8	59900136	1	LH HINGE	
9	59900098	1	WIPER ARM	
10	59900098	1	WIPER ARM	
11	59900411	1	WASHER M6X24	
12	59900102	8	PLASTIC WASHER 10x36/8	
13	59900074	9	WASHER	
14	59900138	1	RING	
15	59900107	1	PIN COVER	
16	31241080	4	SELFLOCK NUT M8	
17	59900108	1	NUT COVER	
18	F0862261010	1	SCREW	
19	31411064	1	WASHER 6,4x12,5	
20	59900407	1	WASHER M16 D.30MM	
21	59900106	4	JOINT	
22	59900402	2	SUPPORT	
23	31122805	2	SCREW M8X40 UNI 5731	
24	31411084	4	WASHER 8,4x17	
25	59900109	4	NUT COVER	
26	59900103	5	RING	
27	59900405	2	SCREW	
28	59900406	2	WASHER	
29	59900119	4	HEAD	
30	59900407	1	WASHER M16 D.30MM	
31	59900403	1	SPACER	
32	59900408	2	WASHER	
33	59900409	1	WASHER	
34	59900134	1	WIPER MOTOR	
35	31211060	1	NUT M6	

SERIAL

REAR GLASS "LOCHMANN"

CODE REV

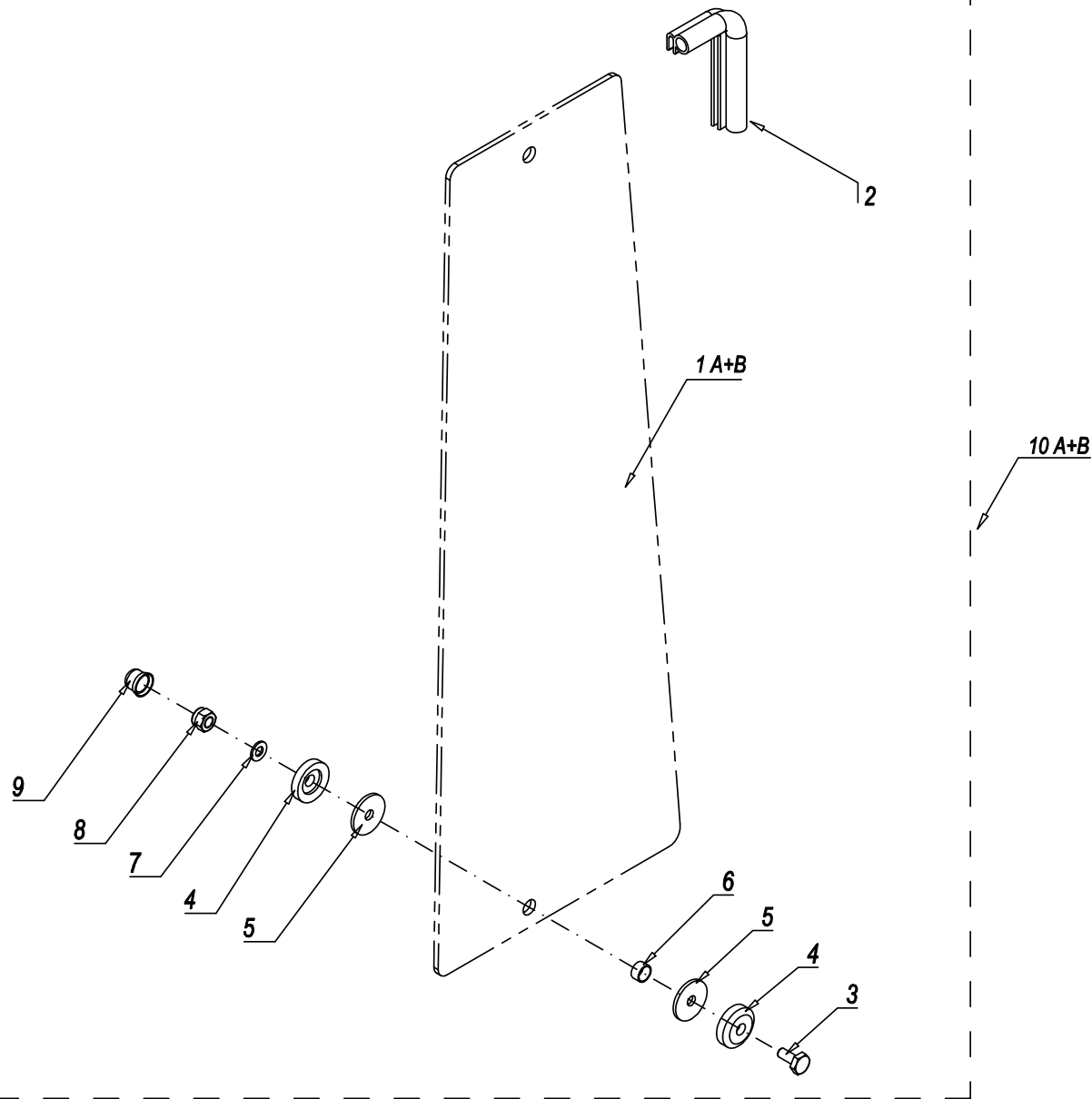
Y.01.03_0_44752



Pos.	Code	Q.ty	Description	Notes
36	31152081	4	SCREW TCEI M8X20 UNI 5931	
37	31241081	2	SELFLOCK NUT M8	
38	58090333	2	SCREW	
39	31411105	1	WASHER 10,5x21	
40	31241100	1	SELFLOCK NUT M10 6S	
41	59900415	1	SWITCH	
42	59900416	1	REAR GLASS	
7a	59900135	1	CERNIERA VETRO POSTERIORE DX	

SIDE GLASS "LOCHMANN"

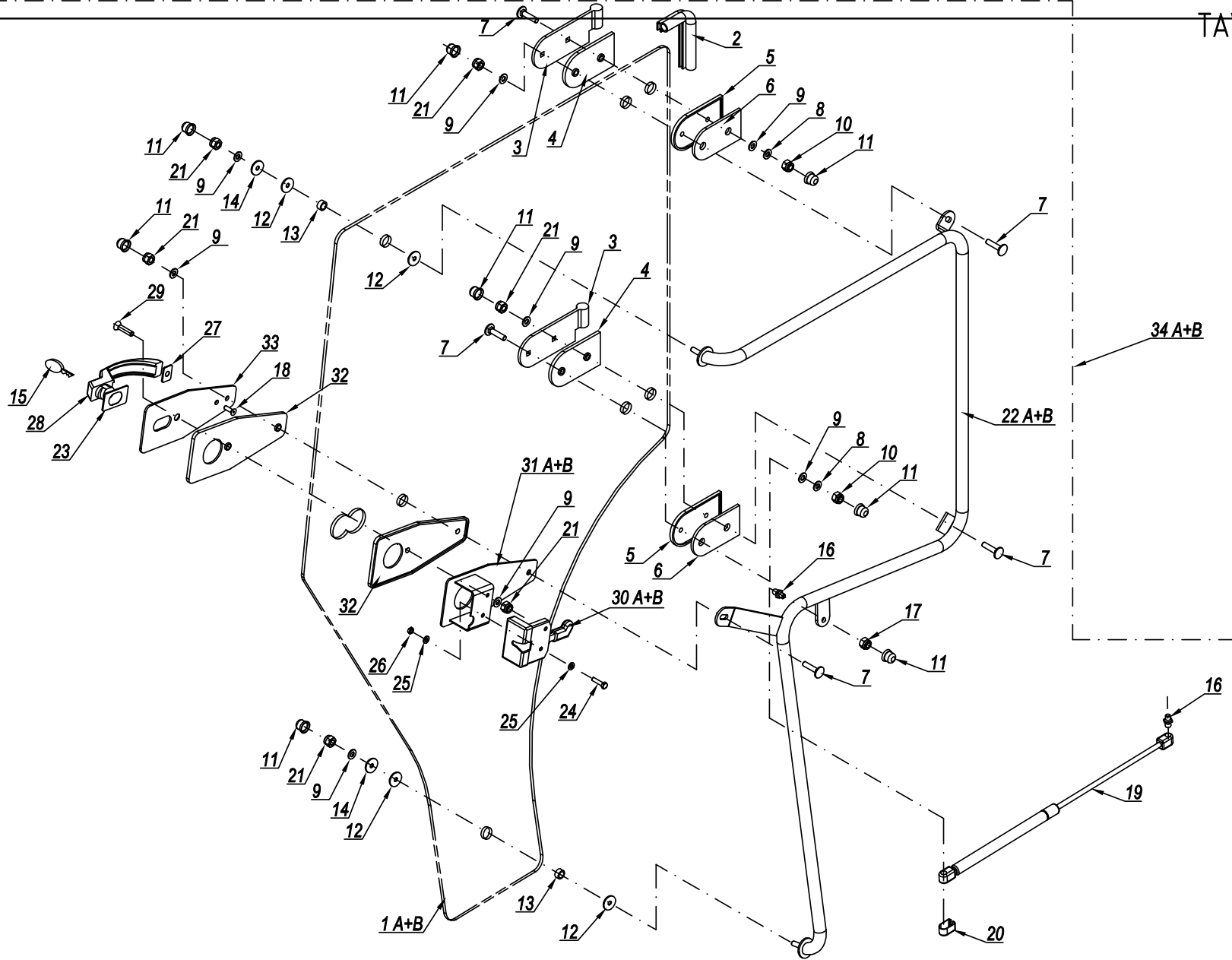
TAV. IV



Pos.	Code	Q.ty	Description	Notes
2	59900419	1	GLASS GASKET	
3	31122805	2	SCREW M8X40 UNI 5731	
4	59900102	4	PLASTIC WASHER 10x36/8	
5	59900074	4	WASHER	
6	59900103	2	RING	
7	31411084	2	WASHER 8,4x17	
8	31241080	2	SELFLOCK NUT M8	
9	59900109	2	NUT COVER	
1a	59900417	1	GLASS	
1b	59900418	1	LH SIDE GLASS	
10a	59900420	1	RH SIDE GLASS	
10b	59900421	1	LH SIDE GLASS	

LEFT/RIGHT DOOR "LOCHMANN"

TAV. V



Pos.	Code	Q.ty	Description	Notes
2	59900423	1	GLASS GASKET	
3	59900424	2	RH HINGE	
4	59900425	2	GASKET	
5	59900426	2	GASKET	
6	59900427	2	PLATE	
7	58090333	4	SCREW	
8	59900117	2	WASHER 11,4	
9	31411084	8	WASHER 8,4x17	
10	31211060	2	NUT M6	
11	59900109	9	NUT COVER	
12	59900074	4	WASHER	
13	59900103	2	RING	
14	59900102	2	PLASTIC WASHER 10x36/8	
15	59900428	1	KEY	
16	59900106	2	JOINT	
17	31241081	1	SELFLOCK NUT M8	
18	59900429	1	SCREW	
19	59900118	1	PNEUMATIC SPRING	
1a	59900377	1	GLASS	
1b	59900422	1	RH DOORGLASS	
20	59900119	2	HEAD	
21	31241080	5	SELFLOCK NUT M8	
23	59900131	1	GASKET	
24	59900432	2	SCREW	
25	31411064	4	WASHER 6,4x12,5	
26	31241060	2	SELFLOCK NUT M6	
27	59900130	1	GASKET	
28	59900129	1	DOOR HANDLE	
29	F0862728000	1	SCREW M8x30 UNI 5933	
32	59900127	1	GASKET	
33	59900128	1	PLATE	
22a	59900430	1	DOOR HANDLE	
22b	59900431	1	DOOR HANDLE	
30a	59900123	1	LOCK SMALL BLOCK	

SERIAL

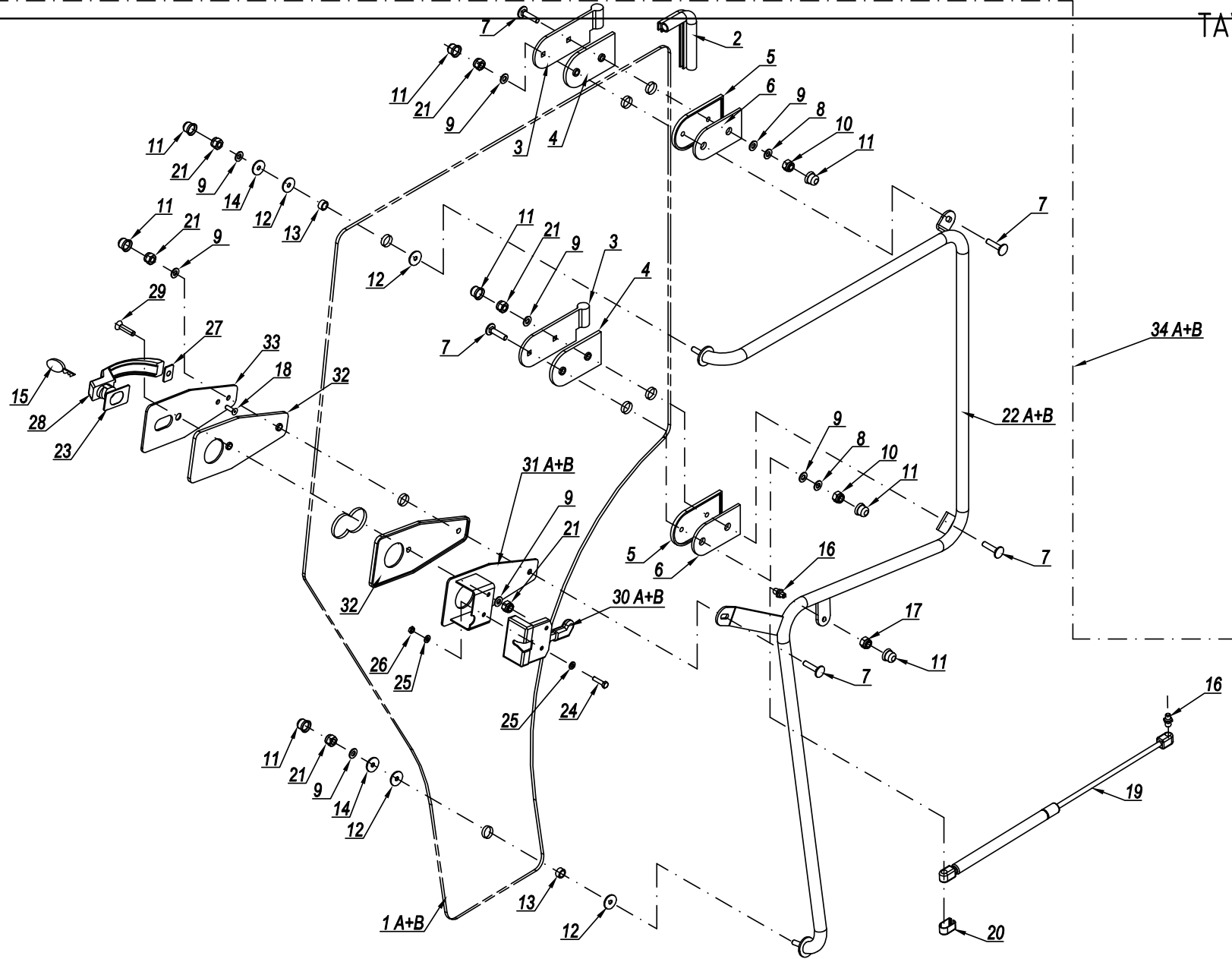
LEFT/RIGHT DOOR "LOCHMANN"

CODE REV

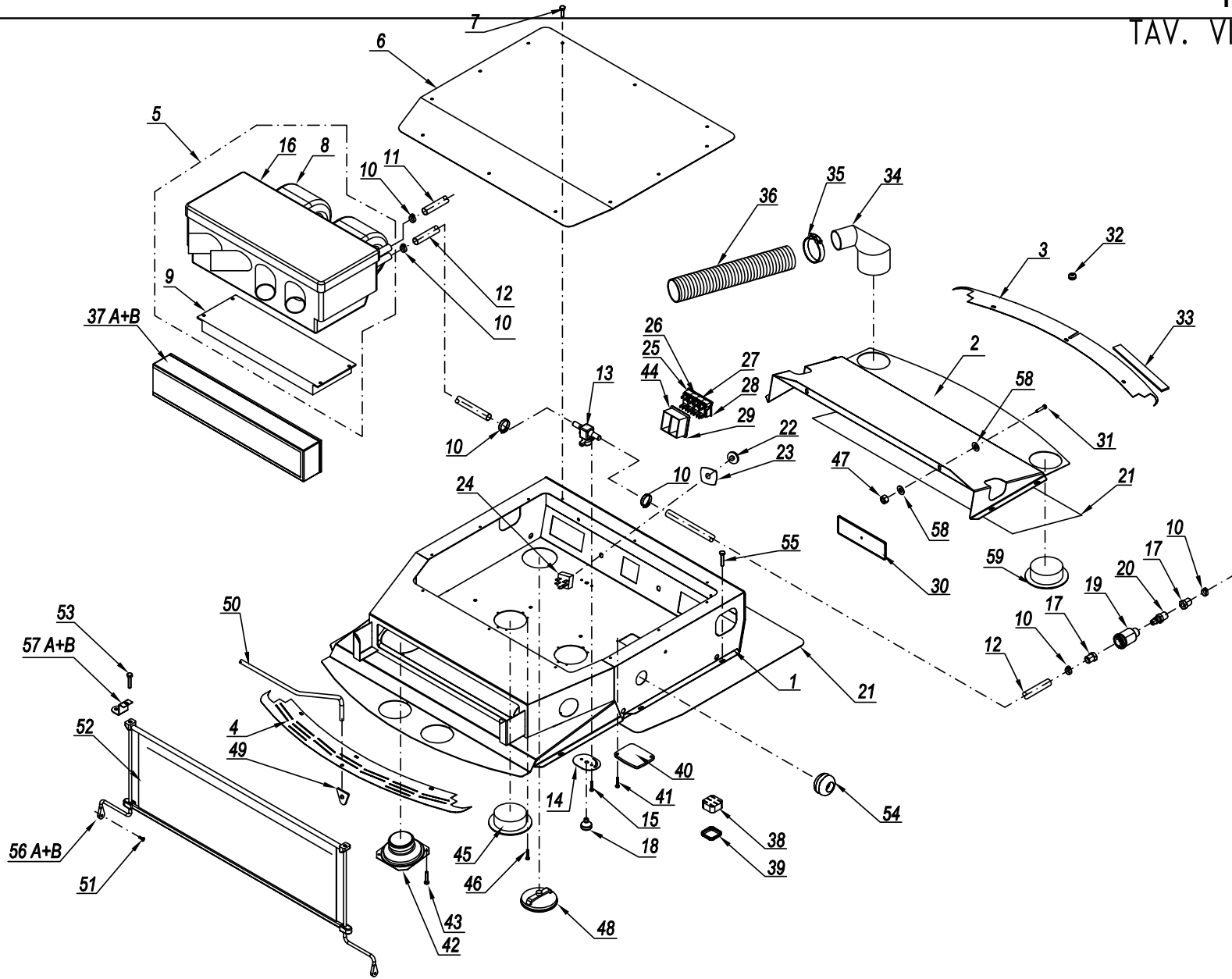
Y.01.05_0_44835

LEFT/RIGHT DOOR "LOCHMANN"

TAV. V



Pos.	Code	Q.ty	Description	Notes
30b	59900124	1	LOCK SMALL BLOCK	
31a	59900125	1	SUPPORT	
31b	59900126	1	SUPPORT	
34a	59900433	1	CAB DOOR - LEFT	
34b	59900434	1	CAB DOOR RIGHT	



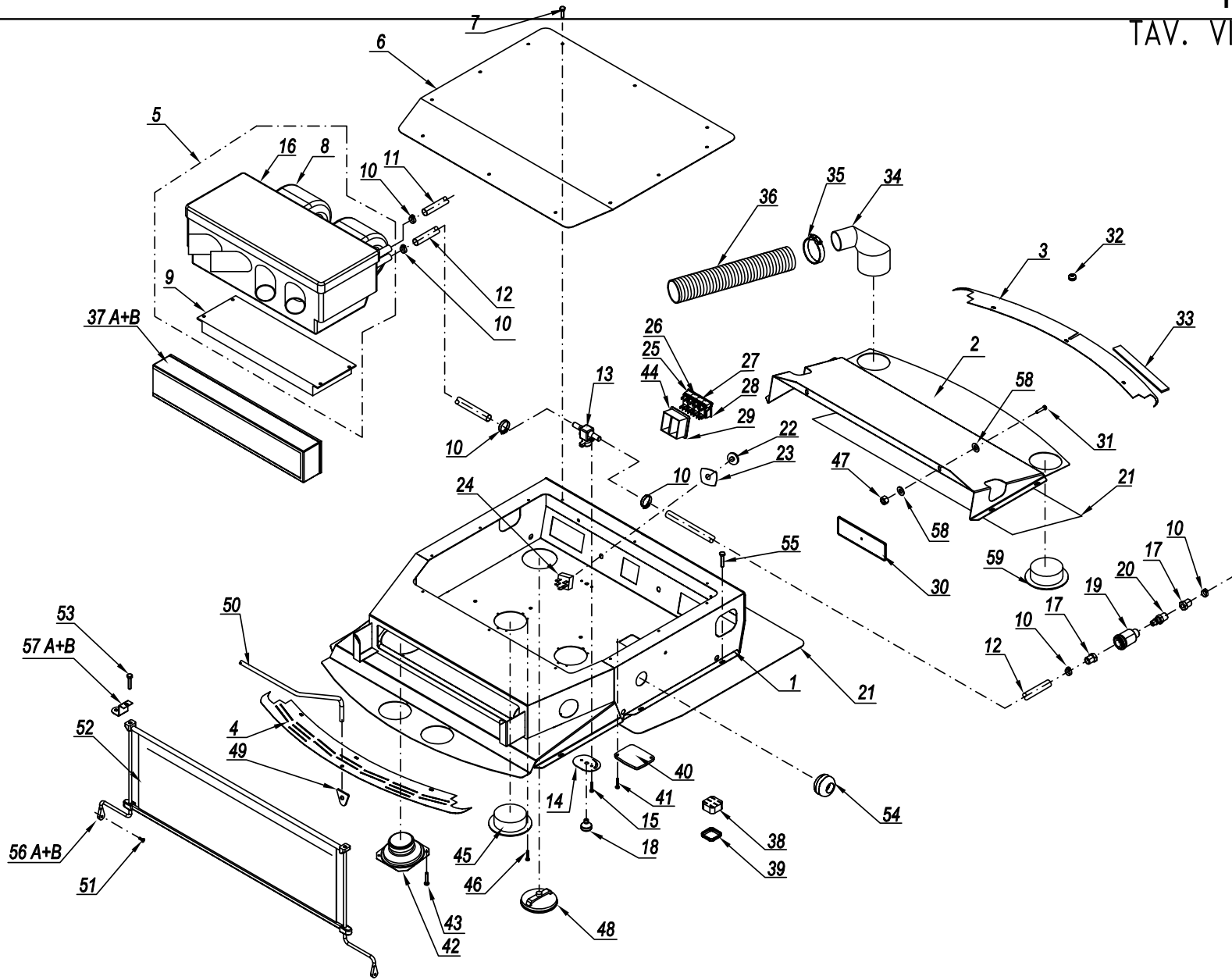
Pos.	Code	Q.ty	Description	Notes
1	59900435	1	INNER CAB ROOF PANEL	
2	59900436	1	SHEET	
3	59900055	1	FASTENER	
4	59900059	1	FASTENER	
5	59900437	1	UNIT	
6	59900438	1	GEARBOX HOUSING COVER	
7	59900439	9	RIBBED SCREW	
8	59900440	1	DIGITAL INSTRUMENT	
9	59900441	1	RADIATOR	
10	59900071	8	PIPE CONNECTION	
11	59900442	1	PIPE	
12	59900443	1	PIPE	
13	59900068	1	COCK OR TAP	
14	59900444	1	FRONT GRILLE	
15	59900036	2	RIBBED SCREW	
16	59900445	1	KIT	
17	59900020	4	PIPE FITTING	
18	59900070	1	KNOB	
19	59900018	2	CONNECTION	
20	59900019	2	CONNECTION	
21	59900446	1	LINING	
22	59900447	1	KNOB	
23	59900448	1	PLATE	
24	59900449	1	SWITCH	
25	59900450	1	SWITCH	
26	59900451	1	SWITCH	
27	59900452	1	SWITCH	
28	59900453	1	SWITCH	
29	59900052	2	SWITCH SUPPORT	
30	59900062	1	HOLECOVER	
31	31112093	2	SCREW TE M6X20 UNI 5739 8G	
32	59900075	1	GASKET	
33	59900399	1	FOAM RUBBER	
34	59900454	4	PIPE FITTING	

SERIAL

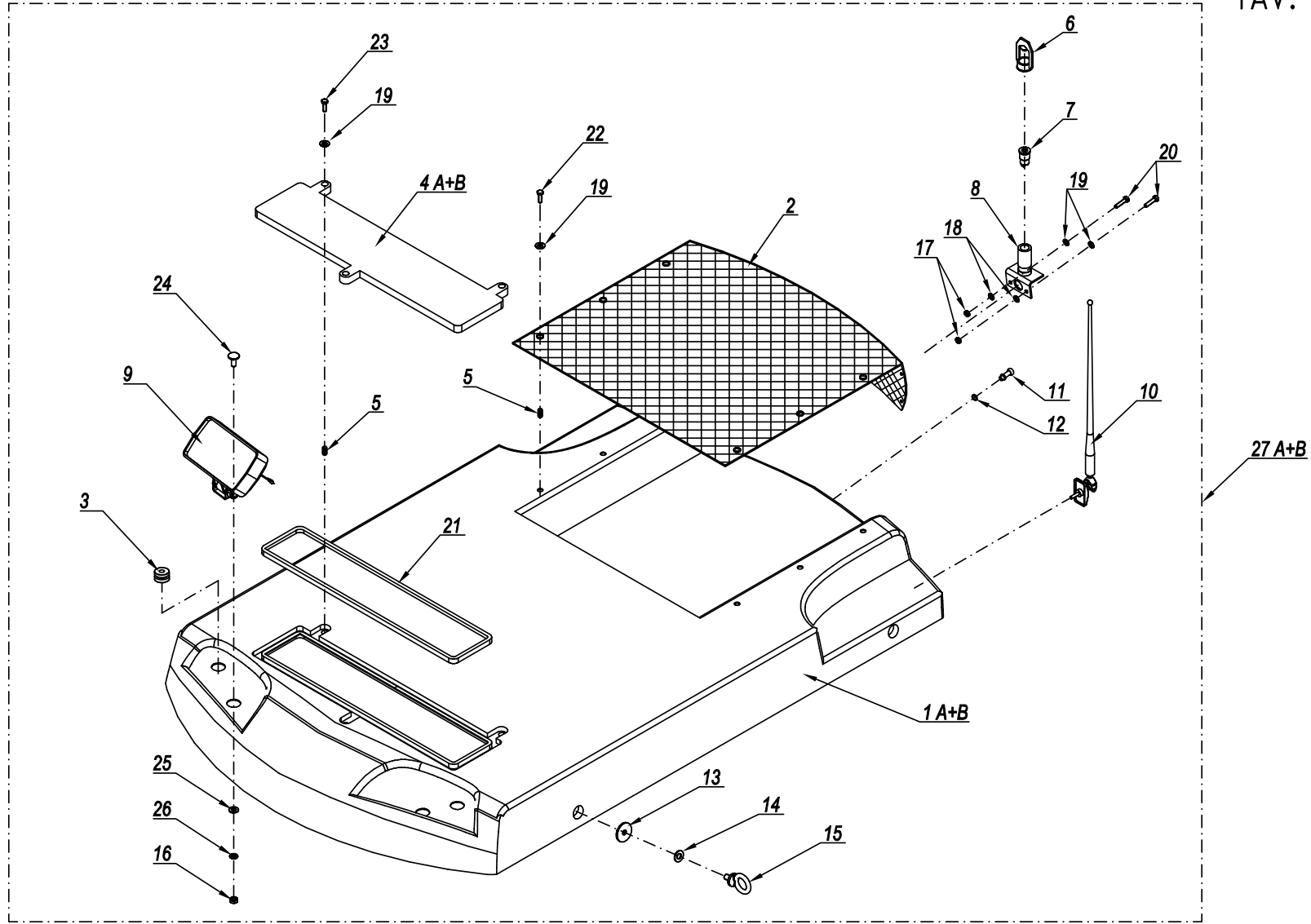
UNDER-ROOF - HEATING "LOCHMANN"

CODE REV

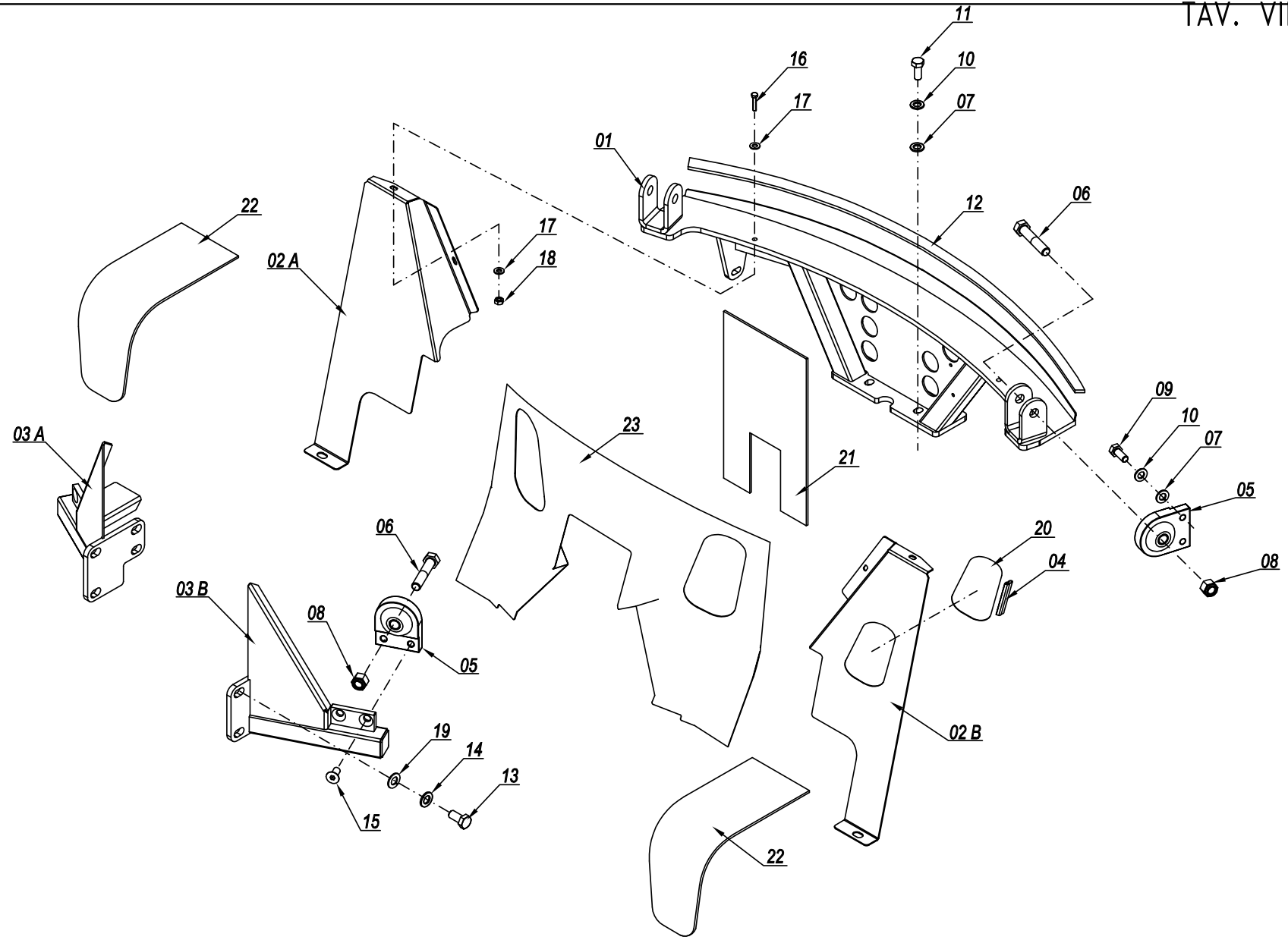
Y.01.06_0_44938



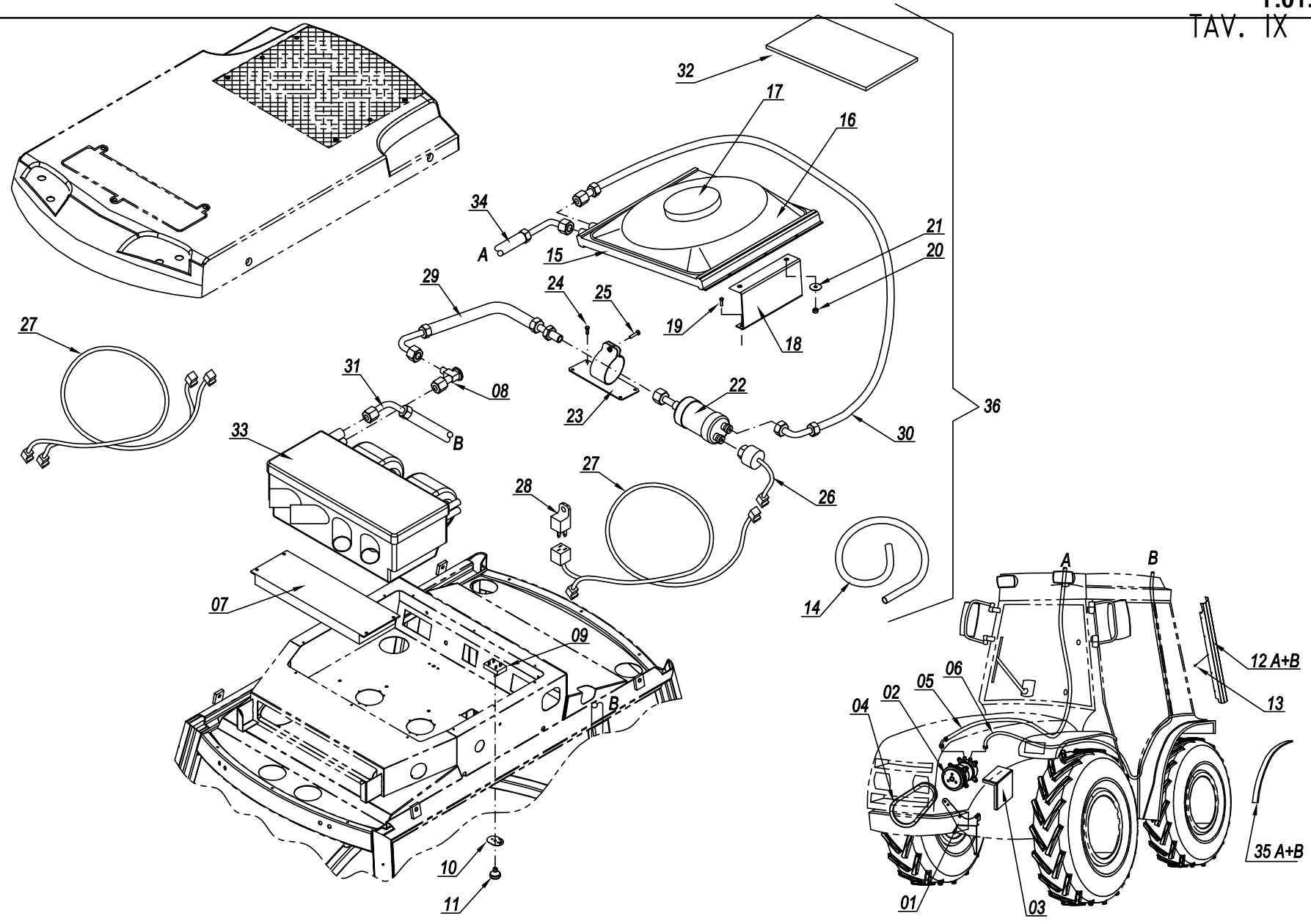
Pos.	Code	Q.ty	Description	Notes
35	59900455	4	HOSE CLIP	
36	59900456	1	PIPE	
38	59900058	1	FUSE-HOLDER	
39	59900057	1	COVER	
40	59900459	1	PLAFONIERA PER VENTILAZIONE	
41	59900460	2	RIBBED SCREW	
42	59900461	2	LOUD SPEAKER	
43	59900462	8	RIBBED SCREW	
44	59900051	2	SWITCH SUPPORT	
45	59900463	2	TONGUE	
46	59900464	6	RIBBED SCREW	
47	31241060	2	SELFLOCK NUT M6	
48	59900465	2	TONGUE	
49	59900466	1	COOLING NOZZLE	
50	59900387	1	PIPE	
51	59900467	2	RIBBED SCREW	
52	59900041	1	ROLL-UP SUN-SHADE	
53	59900468	2	RIBBED SCREW	
54	59900469	1	PLUG	
55	59900395	14	RIBBED SCREW	
58	31411064	4	WASHER 6,4x12,5	
59	59900474	4	TONGUE	
37a	59900457	1	FILTER	
37b	59900458	1	CARBON FILTER	
56a	59900470	1	ROD	
56b	59900471	1	ROD	
57a	59900472	1	SUPPORT	
57b	59900473	1	SUPPORT	



Pos.	Code	Q.ty	Description	Notes
2	59900475	1	SHEET	
3	59900075	4	GASKET	
5	59900476	3	INSERT	
6	59900046	1	PLASTIC PLUG	
7	59900047	1	SOCKET	
8	59900048	1	SUPPORT	
9	59900049	4	WORKING SPOTLIGHT	
10	59900050	1	AERIAL	
11	59900466	1	COOLING NOZZLE	
12	59900477	1	RUBBER PLUG	
13	59900074	4	WASHER	
14	59900404	4	WASHER M10X36	
15	59900073	4	GOLFARO MASCHIO	
16	31211060	4	NUT M6	
17	31241060	2	SELFLOCK NUT M6	
18	59900398	2	WASHER M6X18	
19	31411064	17	WASHER 6,4x12,5	
1a	59900038	1	ROOF	
1b	59900039	1	ROOF	
20	59900432	2	SCREW	
21	59900478	1	FOAM RUBBER	
22	59900396	11	SCREW	
23	31112093	3	SCREW TE M6X20 UNI 5739 8G	
24	31121801	4	SCREW TTQ M8X20 UNI 5731	
25	31411090	4	WASHER 9x24	
26	59900117	4	WASHER 11,4	
4a	59900042	1	COVER	
4b	59900043	1	COVER	
27a	59900479	1	ROOF	
27b	59900480	1	ROOF	



Pos.	Code	Q.ty	Description	Notes
1	59900481	1	SUPPORT	
4	59900382	1	GASKET	
5	59900082	4	SILENT-BLOCK	
6	31112442	4	SCREW TE M16X80 UNI 5737	
7	59900486	4	WASHER M12 D.24MM	
8	31241160	4	SELFLOCK NUT M16 6S	
9	59900487	4	SCREW	
10	59900488	4	WASHER M12 D21	
11	59900489	4	SCREW	
12	59900490	1	GLASS GASKET	
13	59900491	8	SCREW	
14	59900492	8	WASHER	
15	F0863728010	4	SCREW M12X25 UNI5933	
16	59900493	4	SCREW	
17	31411084	4	WASHER 8,4x17	
18	31241080	4	SELFLOCK NUT M8	
19	59900494	8	WASHER M14 D.28MM	
20	59900495	2	REAR GLASS	
21	59900496	1	LINING	
22	59900497	1	LINING	
23	59900498	1	LINING	
2a	59900482	1	STRIKER PLATE	
2b	59900483	1	STRIKER PLATE	
3a	59900484	1	FRONT SUPPORT	
3b	59900485	1	FRONT SUPPORT	



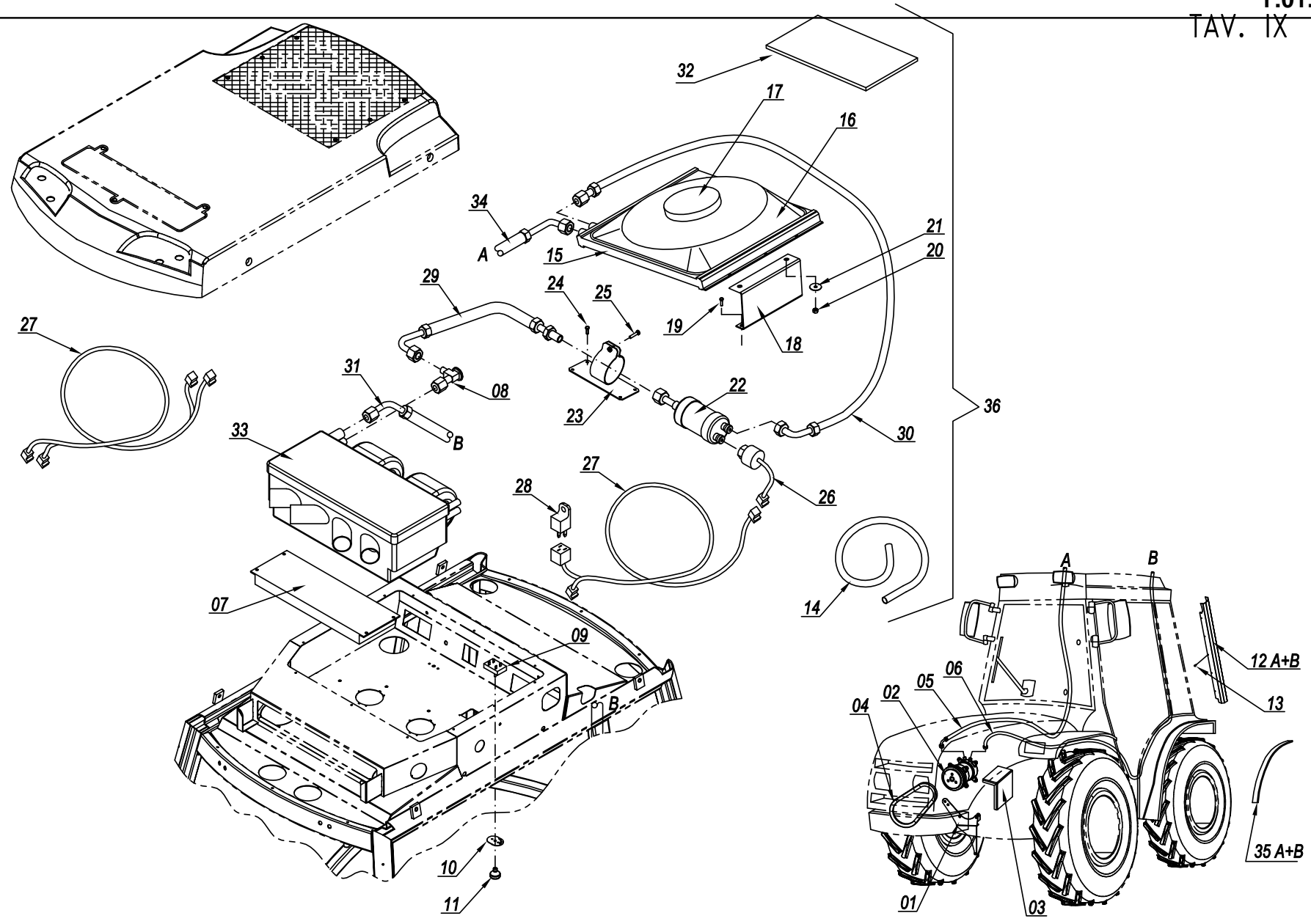
Pos.	Code	Q.ty	Description	Notes
1	59900499	1	PLATE	
2	59900500	1	GEAR COMPRESSOR	
3	59900501	1	GUARD	
4	59900502	1	BELT	
5	59900503	1	PIPE	
6	59900504	1	PIPE	
7	59900505	1	VAPORIZER	
8	59900506	1	VALVE	
9	59900507	1	THERMOSTAT	
10	59900508	1	PLATE	
11	59900447	1	KNOB	
13	59900036	16	RIBBED SCREW	
14	59900511	1	EXHAUST	
15	59900512	1	CONDENSER	
16	59900513	1	DUCT	
17	59900514	1	FAN	
18	59900515	2	BRACKET	
19	59900516	4	RIBBED SCREW	
20	31241060	4	SELFLOCK NUT M6	
21	59900411	4	WASHER M6X24	
22	59900517	1	FILTER	
23	59900518	1	RETAINER	
24	59900396	1	SCREW	
25	59900432	1	SCREW	
26	59900519	1	BULB	
27	59900520	1	ELECTRICAL SYSTEM	
28	59900521	1	RELAY	
29	59900522	1	PIPE	
30	59900523	1	PIPE	
31	59900524	1	PIPE	
32	59900525	1	GUARD	
33	59900526	1	UNIT	
34	59900527	1	PIPE	
36	59900530	1	KIT	

SERIAL

AIR CONDITIONING "LOCHMANN"

CODE REV

Y.01.09_0_45102



Pos.	Code	Q.ty	Description	Notes
12a	59900509	1	CHANNEL	
12b	59900510	1	CHANNEL	
35a	59900528	1	CHANNEL	
35b	59900529	1	CHANNEL	

SPARE PARTS INSTANCE INDEX





SPARE PARTS INSTANCE INDEX

Code	Parts Table	Pos.	Q.ty	Code	Parts Table	Pos.	Q.ty	Code	Parts Table	Pos.	Q.ty
30000007	D0301_0_16283	24	0	31112082	A0301_0_14926	4	0	31112149	M0201_0_17929	29	0
30000211	F0302_0_17097	34	0		A0401_0_14980	9	0		M0202_0_17999	29	0
30000506	E0302_0_16844	16	0		B0101_0_15056	32	0	31112150	A0101_1_14653	3	0
30000514	B0301_0_15169	38	0		B0102_0_15096	23	0		A0102_1_14720	3	0
30000614	B0801_2_69139	8	1		C0101_0_15905	46	0		A0103_1_14789	3	0
30000777	F0101_0_16889	8	0		L0101_0_17311	14	0		A0202_0_14843	6	0
	F0102_0_16922	8	0		M0101_0_17861	15	0		A0204_0_14897	6	0
31111090	F0401_0_17228	26	0	31112086	F0302_0_17097	7	0		A0501_0_15024	26	0
	M0201_0_17929	48	0	31112090	A0101_1_14653	10	0		B0101_0_15056	11	0
	M0202_0_17999	48	0		A0102_1_14720	10	0		B0102_0_15096	5	0
31111091	B0201_0_15127	14	0		A0103_1_14789	10	0		B0201_0_15127	8	0
	M0101_0_17861	62	0		C0101_0_15905	3	0		D1301_0_16613	7	0
31111151	A0202_0_14843	22	0		F0201_0_17025	6	0		F0302_0_17097	26	0
	B0101_0_15056	27	0		F0202_0_17043	6	0		F0401_0_17228	2	0
	B0102_0_15096	18	0		F0302_0_17097	40	0		L0101_0_17311	25	0
	B0501_0_15441	38	0	31112093	M0101_0_17861	56	0		L0201_1_17393	22	0
	B1001_0_15773	40	0		Y.01.01_0_44578	22	4		L0202_1_17488	23	0
	B1202_0_15889	10	0		Y.01.06_0_44938	31	2		L0203_0_17535	17	0
	C0101_0_15905	35	0		Y.01.07_0_45032	23	3		M0101_0_17861	35	0
	F0101_0_16889	22	0	31112097	B0101_0_15056	24	0		M0201_0_17929	23	0
	F0102_0_16922	21	0	31112146	B0301_0_15169	27	0		M0201_0_17929	34	0
	L0201_1_17393	8	0		B0501_0_15441	44	0		M0202_0_17999	23	0
	L0202_1_17488	8	0		B1001_0_15773	14	0		M0202_0_17999	34	0
	L0203_0_17535	8	0		C0201_0_15984	10	0		T0101_0_18136	11	0
	M0201_0_17929	8	0		D0701_0_16411	11	0		T0102_0_18177	14	0
	M0201_0_17929	36	0		D1502_0_16688	36	0	31112151	A0301_0_14926	15	0
	M0202_0_17999	8	0	31112147	D1502_0_16688	29	0		A0302_0_14955	11	0
	M0202_0_17999	36	0	31112148	A0202_0_14843	13	0		B0101_0_15056	14	0
31111218	A0501_0_15024	14	0		A0204_0_14897	13	0		B0102_0_15096	8	0
31111330	T0401_0_18328	10	0		D0201_1_16174	3	0		B1001_0_15773	17	0
31111331	B0102_0_15096	2	0	31112149	B0402_0_15303	24	0		C0301_0_16044	3	0
31112051	A0204_0_14897	22	0		B0801_2_69139	23	1		D1502_0_16688	24	0
31112060	B0301_0_15169	14	0		L0101_0_17311	9	0		L0203_0_17535	18	0
	B0501_0_15441	14	0		M0101_0_17861	10	0	31112152	A0101_1_14653	19	0

SPARE PARTS INSTANCE INDEX

Code	Parts Table	Pos.	Q.ty	Code	Parts Table	Pos.	Q.ty	Code	Parts Table	Pos.	Q.ty
31112152	A0102_1_14720	20	0	31112211	T0101_0_18136	6	0	31152057	L0202_1_17488	3	0
	A0103_1_14789	20	0		T0102_0_18177	9	0		L0203_0_17535	3	0
	B0301_0_15169	26	0	31112212	C0101_0_15905	7	0		M0201_0_17929	3	0
	B0501_0_15441	37	0		T0401_0_18328	14	0		M0202_0_17999	3	0
	D0701_0_16411	12	0		T0402_0_18344	14	0	31152060	A0204_0_14897	17	0
31112155	F0101_0_16889	5	0	31112213	C0101_0_15905	8	0	31152066	B1001_0_15773	12	0
	F0102_0_16922	5	0	31112217	M0101_0_17861	5	0	31152068	A0204_0_14897	18	0
31112161	D1101_0_16526	3	0	31112219	A0101_1_14653	6	0	31152081	Y.01.02_0_44665	8	4
31112174	A0101_1_14653	15	0		A0102_1_14720	6	0		Y.01.03_0_44752	36	4
	A0102_1_14720	16	0		A0103_1_14789	6	0	31152083	F0101_0_16889	2	0
	A0103_1_14789	16	0		A0302_0_14955	9	0		F0102_0_16922	2	0
31112208	B0501_0_15441	40	0		B0402_0_15303	7	0		F0201_0_17025	2	0
31112210	A0101_1_14653	23	0		F0302_0_17097	3	0		F0202_0_17043	2	0
	A0102_1_14720	24	0		L0101_0_17311	2	0	31152084	L0203_0_17535	21	0
	A0103_1_14789	24	0		M0101_0_17861	2	0	31152085	D1101_0_16526	2	0
	A0202_0_14843	19	0		T0401_0_18328	13	0	31152088	B0201_0_15127	11	0
	A0301_0_14926	9	0		T0402_0_18344	13	0	31152097	B0101_0_15056	7	0
	E0201_0_16797	5	0	31112264	B0501_0_15441	48	0		M0101_0_17861	47	0
	E0202_0_16806	5	0	31112265	B0501_0_15441	49	0	31200501	A0401_0_14980	5	0
	F0101_0_16889	24	0	31112272	B0301_0_15169	30	0		A0402_0_15005	5	0
	F0102_0_16922	23	0	31112328	B0101_0_15056	4	0	31211050	A0204_0_14897	25	0
	F0201_0_17025	9	0		B0101_0_15056	35	0	31211060	A0301_0_14926	7	0
	F0202_0_17043	9	0		B0102_0_15096	26	0		B0402_0_15303	21	0
	F0302_0_17097	2	0	31112442	Y.01.08_0_45202	6	4		B0501_0_15441	19	0
31112211	A0101_1_14653	18	0	31121801	Y.01.07_0_45032	24	4		Y.01.02_0_44665	22	1
	A0102_1_14720	19	0	31122804	B0402_0_15303	9	0		Y.01.03_0_44752	35	1
	A0103_1_14789	19	0	31122805	Y.01.02_0_44665	21	2		Y.01.05_0_44835	10	2
	B0402_0_15303	15	0		Y.01.03_0_44752	23	2		Y.01.07_0_45032	16	4
	B0501_0_15441	32	0		Y.01.04_0_45162	3	2	31211080	L0201_1_17393	20	0
	C0101_0_15905	6	0	31132440	B1001_0_15773	23	0		L0202_1_17488	21	0
	F0101_0_16889	14	0	31132562	A0202_0_14843	2	0		L0203_0_17535	19	0
	F0302_0_17097	6	0		A0204_0_14897	2	0		M0201_0_17929	21	0
	L0101_0_17311	3	0	31132566	D1301_0_16613	6	0		M0202_0_17999	21	0
	M0101_0_17861	3	0	31152057	L0201_1_17393	3	0	31211100	L0201_1_17393	14	0

SPARE PARTS INSTANCE INDEX

Code	Parts Table	Pos.	Q.ty	Code	Parts Table	Pos.	Q.ty	Code	Parts Table	Pos.	Q.ty
31211100	L0202_1_17488	15	0	31241100	Y.01.02_0_44665	35	1	31411084	D0301_0_16283	30	0
	L0203_0_17535	12	0		Y.01.03_0_44752	40	1		F0302_0_17097	28	0
	M0201_0_17929	15	0	31241121	M0101_0_17861	50	0		Y.01.02_0_44665	14	4
	M0202_0_17999	15	0	31241140	B0301_0_15169	35	0		Y.01.03_0_44752	24	4
31212060	A0101_1_14653	12	0	31241142	C0101_0_15905	41	0	Y.01.04_0_45162	7	2	
	A0102_1_14720	12	0	31241160	T0101_0_18136	8.2	0	Y.01.05_0_44835	9	8	
	A0103_1_14789	12	0		T0102_0_18177	11.2	0	Y.01.08_0_45202	17	4	
	B0201_0_15127	16	0		Y.01.08_0_45202	8	4	31411090	A0101_1_14653	21	0
	F0201_0_17025	8	0	31312089	D1201_0_16542	55	0	A0102_1_14720	22	0	
	F0202_0_17043	8	0	31313300	C0301_0_16044	7	0	A0103_1_14789	22	0	
31212100	B0501_0_15441	42	0	31313320	C0301_0_16044	8	0	B0101_0_15056	16	0	
	31231080	A0202_0_14843	17	0	31411053	A0204_0_14897	23	0	B0102_0_15096	10	0
	A0204_0_14897	20	0	31411054	B0301_0_15169	6	0	B0402_0_15303	13	0	
	B0101_0_15056	21	0		B0501_0_15441	6	0	Y.01.07_0_45032	25	4	
	B0102_0_15096	15	0	31411064	A0301_0_14926	5	0	31411104	M0101_0_17861	22	0
31241051	B0301_0_15169	7	0		B0301_0_15169	9	0	31411105	A0101_1_14653	7	0
	B0501_0_15441	7	0		B0501_0_15441	9	0	A0102_1_14720	7	0	
31241060	Y.01.01_0_44578	39	6		F0302_0_17097	42	0	A0103_1_14789	7	0	
	Y.01.05_0_44835	26	2		Y.01.01_0_44578	38	6	B0501_0_15441	41	0	
	Y.01.06_0_44938	47	2		Y.01.02_0_44665	40	1	D0301_0_16283	26	0	
	Y.01.07_0_45032	17	2		Y.01.03_0_44752	19	1	D0301_0_16283	49	0	
	Y.01.09_0_45102	20	4		Y.01.05_0_44835	25	4	D1502_0_16688	23	0	
31241080	B0101_0_15056	17	0		Y.01.06_0_44938	58	4	T0401_0_18328	5	0	
	B0102_0_15096	11	0		Y.01.07_0_45032	19	17	T0402_0_18344	5	0	
	Y.01.02_0_44665	26	4	31411066	B0402_0_15303	31	0	Y.01.02_0_44665	18	1	
	Y.01.03_0_44752	16	4		B0501_0_15441	17	0	Y.01.03_0_44752	39	1	
	Y.01.04_0_45162	8	2	31411084	B0101_0_15056	12	0	31411130	D1401_0_16634	9	0
	Y.01.05_0_44835	21	5		B0102_0_15096	6	0	D1502_0_16688	16	0	
	Y.01.08_0_45202	18	4		B0201_0_15127	4	0	31411150	B0101_0_15056	37	0
	31241081	Y.01.02_0_44665	15	2		B0301_0_15169	22	0	B0102_0_15096	28	0
	Y.01.03_0_44752	37	2		B0501_0_15441	28	0	D1502_0_16688	26	0	
	Y.01.05_0_44835	17	1		B0801_2_69139	17	1	31421083	A0101_1_14653	20	0
31241100	T0401_0_18328	4	0		B0801_2_69139	24	1	A0102_1_14720	21	0	
	T0402_0_18344	4	0		B1001_0_15773	7	0	A0103_1_14789	21	0	



SPARE PARTS INSTANCE INDEX

Code	Parts Table	Pos.	Q.ty	Code	Parts Table	Pos.	Q.ty	Code	Parts Table	Pos.	Q.ty
31421083	D0201_1_16174	4	0	38118720	D1201_0_16542	50	0	51371035	D0101_0_16072	22	0
31510053	B0801_2_69139	6	1	41S50001	A0102_1_14720	1	0		D0901_0_16469	11	0
34110029	T0101_0_18136	8.4	0	41S60001	A0103_1_14789	1	0	52071702	L0101_0_17311	13	0
	T0102_0_18177	11.4	0	41T00001	A0101_1_14653	1	0		M0101_0_17861	14	0
34110030	M0101_0_17861	59	0	50970418	D1502_0_16688	33	0	52074435	D0801_0_16453	15	0
34211054	D1301_0_16613	4	0	50973415	M0101_0_17861	40	0	52272112	D0701_0_16411	28	0
34213018	B1001_0_15773	46	0	51170020	C0301_0_16044	6	0	52273364	D0701_0_16411	29	0
34321066	D1502_0_16688	8	0	51170540	W0101_0_18360	16	0	52274299	D0701_0_16411	26	0
35111047	D1201_0_16542	4	0		W0102_0_18387	11	0	52370072	D1001_0_16509	6	0
35111052	D0501_0_16362	10	0		W0302_0_18466	14	0	52370075	D1001_0_16509	5	0
35111062	D0901_0_16469	2	0	51172005	D1001_0_16509	3	0	52370083	C0101_0_15905	24	0
35111080	D0201_1_16174	13	0	51173371	M0101_0_17861	49	0	52370152	D1301_0_16613	2	0
	D0601_0_16375	26	0	51173650	C0301_0_16044	2	0	52372292	D1201_0_16542	35	0
35121014	D0801_0_16453	1	0	51173803	C0301_0_16044	11	0	52373177	D1502_0_16688	13	0
35121030	D0201_1_16174	6	0	51173804	C0301_0_16044	10	0	52374189	D0701_0_16411	2/2	0
35121035	D0601_0_16375	16	0	51173821	C0301_0_16044	1	0	52374297	D0701_0_16411	27	0
35121040	D0401_0_16337	11	0	51174047	M0101_0_17861	1	0	52374298	D0701_0_16411	30	0
	D1201_0_16542	9	0	51174315	L0101_0_17311	1	0	52374386	D0701_0_16411	3/2	0
35211060	B0201_0_15127	19	0	51174394	D0701_0_16411	9	0	52374641	D1101_0_16526	1	0
35211070	M0101_0_17861	27	0	51174448	C0101_0_15905	1	0	52374703	C0101_0_15905	20	0
37111254	D0901_0_16469	3	0	51174467	C0101_0_15905	2	0	52374704	C0101_0_15905	19	0
37111255	D0501_0_16362	9	0	51175000	B0101_0_15056	1	0	52375215	D1502_0_16688	17	0
37111354	D0201_1_16174	14	0	51175212	B1001_0_15773	25	0	52470061	D0901_0_16469	7	0
37111404	D1201_0_16542	27	0	51175800	B0102_0_15096	1	0	52470062	D0901_0_16469	6	0
38104412	D0201_1_16174	23	0	51270090	C0101_0_15905	18	0	52470063	D0101_0_16072	18	0
38111078	D1301_0_16613	16	0	51270096	C0101_0_15905	16	0	52470064	D0101_0_16072	17	0
38112200	D1301_0_16613	3	0	51270103	C0101_0_15905	15	0	52470067	D0101_0_16072	21	0
	F0101_0_16889	6	0	51270174	D1101_0_16526	8	0		D0901_0_16469	8	0
	F0102_0_16922	6	0	51270203	D1101_0_16526	13	0	52470086	D0101_0_16072	28	0
38112507	D0201_1_16174	8	0	51270771	D0701_0_16411	32	0	52470087	D1001_0_16509	11	0
	F0101_0_16889	31	0	51273893	D0701_0_16411	31	0	52470105	D0901_0_16469	16	0
	F0102_0_16922	30	0	51274080	D1301_0_16613	13	0	52470106	D0901_0_16469	15	0
38114070	D0801_0_16453	8	0	51274388	B1001_0_15773	26	0	52470117	D0601_0_16375	18	0
38116317	D1201_0_16542	49	0	51274498	B1001_0_15773	27	0	52470118	D0601_0_16375	17	0

SPARE PARTS INSTANCE INDEX

Code	Parts Table	Pos.	Q.ty	Code	Parts Table	Pos.	Q.ty	Code	Parts Table	Pos.	Q.ty
52470298	D1201_0_16542	8	0	53273891	D1201_0_16542	51	0	56075145	M0101_0_17861	26	0
52470762	D0401_0_16337	18	0	55072935	B0501_0_15441	16	0	56075161	M0201_0_17929	33	0
52473655	D0201_1_16174	33	0	55170047	D1401_0_16634	7	0		M0202_0_17999	33	0
52473656	D0401_0_16337	24	0	55170053	D0701_0_16411	6	0	56075183	M0201_0_17929	46	0
52473658	D0201_1_16174	10	0	55172355	A0401_0_14980	7	0		M0202_0_17999	46	0
52473827	D0501_0_16362	8	0	55174162	B1001_0_15773	32	0	56075184	M0201_0_17929	47	0
52473828	D0501_0_16362	3	0	55174163	B1001_0_15773	31	0		M0202_0_17999	47	0
52473829	D0501_0_16362	5	0	55174632	A0301_0_14926	20	0	56075197	M0201_0_17929	42	0
52473830	D0501_0_16362	6	0		A0302_0_14955	17	0		M0202_0_17999	42	0
52473831	D0501_0_16362	7	0	55174633	A0301_0_14926	21	0	56075198	M0201_0_17929	43	0
52473833	D0601_0_16375	3	0		A0302_0_14955	18	0		M0202_0_17999	43	0
52473834	D0601_0_16375	6	0	55174760	A0401_0_14980	15	0	56075230	D0301_0_16283	46	0
52473835	D0601_0_16375	8	0		A0402_0_15005	10	0	56075237	T0401_0_18328	6	0
52473836	D0601_0_16375	11	0	55174761	A0401_0_14980	17	0		T0402_0_18344	6	0
52473837	D0601_0_16375	12	0		A0402_0_15005	12	0	56075238	T0401_0_18328	2	0
52473838	D0401_0_16337	5	0	55175174	B0402_0_15303	12	0		T0402_0_18344	2	0
52473839	D0401_0_16337	9	0		B0501_0_15441	36	0	56075251	M0201_0_17929	38	0
52473873	D1201_0_16542	3	0	55271644	B0801_2_69139	5/2	1		M0202_0_17999	38	0
52473874	D1201_0_16542	13	0	55271852	B0801_2_69139	5/1	1	56170017	D0701_0_16411	16	0
52473875	D1201_0_16542	19	0	55274314	A0501_0_15024	1	0	56170029	D0301_0_16283	15	0
52473876	D1201_0_16542	23	0	55274441	B0801_2_69139	4	1	56170043	D1401_0_16634	8	0
52473881	D1201_0_16542	41	0	56071768	A0202_0_14843	12	0	56170074	D1001_0_16509	9	0
52473885	D1201_0_16542	40	0		A0204_0_14897	12	0	56170082	C0101_0_15905	26	0
52473894	D1201_0_16542	42	0	56073059	T0101_0_18136	10.2	0	56170213	D0101_0_16072	9	0
52474251	D0601_0_16375	14	0		T0102_0_18177	13.3	0	56170214	D0101_0_16072	7	0
52474252	D0601_0_16375	24	0	56073413	M0101_0_17861	44	0	56170221	C0101_0_15905	26	0
52474253	D0601_0_16375	21	0	56073414	M0101_0_17861	41	0	56170222	C0101_0_15905	26	0
52474254	D0401_0_16337	17	0	56073416	M0101_0_17861	45	0	56170223	C0101_0_15905	26	0
52475059	D1201_0_16542	18	0	56074302	D0301_0_16283	28	0	56170226	C0101_0_15905	37	0
52475060	D1201_0_16542	16	0	56074313	D1201_0_16542	60	0	56170275	A0501_0_15024	9	0
52475073	D0401_0_16337	20	0	56074712	C0101_0_15905	40	0	56170276	A0501_0_15024	16	0
52573648	D0201_1_16174	19	0	56075120	A0102_1_14720	26	0	56170283	L0101_0_17311	27	0
53273025	D0201_1_16174	24	0		A0103_1_14789	26	0		M0101_0_17861	37	0
53273886	D1201_0_16542	30	0	56075143	M0101_0_17861	58	0	56170285	L0101_0_17311	29	0

SPARE PARTS INSTANCE INDEX

Code	Parts Table	Pos.	Q.ty	Code	Parts Table	Pos.	Q.ty	Code	Parts Table	Pos.	Q.ty
56170285	M0101_0_17861	39	0	56171954	B0501_0_15441	35	0	56174579	B0301_0_15169	25	0
56170286	L0101_0_17311	28	0	56171996	B0402_0_15303	11	0	56174582	B0501_0_15441	43	0
	M0101_0_17861	38	0	56172072	F0401_0_17228	15	0	56174618	A0501_0_15024	25	0
56170350	F0101_0_16889	16	0	56172172	B1201_0_15868	6/2	0	56174619	A0501_0_15024	5	0
	F0102_0_16922	15	0	56172538	C0101_0_15905	45	0	56174620	A0501_0_15024	6	0
56170351	F0101_0_16889	20	0	56172547	F0202_0_17043	12	0	56174621	A0501_0_15024	7	0
	F0102_0_16922	19	0	56172749	F0401_0_17228	4	0	56174622	A0501_0_15024	8	0
56170364	C0201_0_15984	9	0	56172950	A0501_0_15024	20	0	56174629	A0302_0_14955	4	0
56170367	D1502_0_16688	9	0	56173353	C0101_0_15905	26	0	56174631	A0301_0_14926	14	0
56170392	T0101_0_18136	3	0	56173638	L0101_0_17311	8	0		A0302_0_14955	10	0
	T0102_0_18177	3	0		M0101_0_17861	9	0	56174635	A0401_0_14980	3	0
56170447	D1301_0_16613	11	0	56173684	D0301_0_16283	23	0		A0402_0_15005	3	0
56170704	T0301_0_18310	6	0	56174108	D1201_0_16542	5	0	56174636	A0401_0_14980	2	0
	T0302_0_18319	4	0	56174135	B0301_0_15169	17	0		A0402_0_15005	2	0
56170705	T0301_0_18310	7	0	56174202	L0201_1_17393	21	0	56174637	A0401_0_14980	12	0
	T0302_0_18319	5	0		L0202_1_17488	22	0	56174647	B0201_0_15127	1.3	0
56170760	D0601_0_16375	23	0		L0203_0_17535	16	0	56174648	B0201_0_15127	1.4	0
56170779	L0203_0_17535	23	0	56174337	B0501_0_15441	15	0	56174649	B0201_0_15127	1.2	0
56170795	D1502_0_16688	11	0	56174400	D0301_0_16283	47	0	56174650	B0201_0_15127	1.5	0
56170796	D1502_0_16688	12	0	56174401	D0301_0_16283	48	0	56174651	B0201_0_15127	1.7	0
56170964	L0201_1_17393	15	0	56174431	D1301_0_16613	10	0	56174654	B0201_0_15127	7	0
	L0202_1_17488	16	0	56174461	B1001_0_15773	41	0	56174656	B0201_0_15127	12	0
	L0203_0_17535	13	0	56174462	B1001_0_15773	36	0	56174657	B0101_0_15056	10	0
	M0201_0_17929	16	0	56174463	B1001_0_15773	44	0		B0102_0_15096	4	0
	M0202_0_17999	16	0	56174464	B1001_0_15773	10	0	56174658	B0101_0_15056	13	0
56171172	C0101_0_15905	38	0	56174480	F0302_0_17097	10	0		B0102_0_15096	7	0
56171223	B1202_0_15889	13	0	56174481	F0302_0_17097	9	0	56174659	B0101_0_15056	15	0
56171572	D1201_0_16542	1	0	56174485	F0302_0_17097	30	0		B0102_0_15096	9	0
56171877	A0202_0_14843	3	0	56174486	B1001_0_15773	13	0	56174660	A0204_0_14897	21	0
	A0204_0_14897	3	0	56174492	B1001_0_15773	2	0	56174661	A0204_0_14897	16	0
56171883	A0202_0_14843	4	0	56174494	F0302_0_17097	46	0	56174665	F0401_0_17228	1	0
	A0204_0_14897	4	0	56174499	B1001_0_15773	19	0	56174691	B0101_0_15056	26	0
56171936	D1502_0_16688	21	0	56174527	B0402_0_15303	22	0		B0102_0_15096	17	0
56171954	B0402_0_15303	16	0	56174569	B0201_0_15127	1.1	0	56174692	D0601_0_16375	23	0



SPARE PARTS INSTANCE INDEX

Code	Parts Table	Pos.	Q.ty	Code	Parts Table	Pos.	Q.ty	Code	Parts Table	Pos.	Q.ty
56174693	D0601_0_16375	23	0	56175294	F0202_0_17043	18	0	56370178	D1201_0_16542	6	0
56174694	D0601_0_16375	23	0	56175364	B0201_0_15127	1.8	0		D1301_0_16613	14	0
56174695	D0601_0_16375	23	0	56175365	B0201_0_15127	1.6	0	56370186	D0701_0_16411	14	0
56174725	F0101_0_16889	21	0	56175367	D0601_0_16375	24	0	56370187	D1101_0_16526	5	0
	F0102_0_16922	20	0	56175388	L0203_0_17535	20	0	56370204	D1101_0_16526	7	0
56174728	A0101_1_14653	17	0	56175540	B0301_0_15169	32	0	56370209	D0101_0_16072	12	0
	A0102_1_14720	18	0	56175682	B0301_0_15169	13	0	56370210	D0101_0_16072	12	0
	A0103_1_14789	18	0		B0501_0_15441	13	0	56370211	D0101_0_16072	12	0
56174730	B1001_0_15773	16	0	56175799	B0102_0_15096	22	0	56370212	D0101_0_16072	12	0
56174773	B1001_0_15773	11	0	56274487	B1001_0_15773	34	0	56370217	C0101_0_15905	29	0
56174835	B0201_0_15127	18	0	56274889	C0201_0_15984	1.2	0	56370228	C0101_0_15905	21	0
56174873	B0101_0_15056	34	0	56274890	C0201_0_15984	1.1	0	56370267	D0201_1_16174	26	0
	B0102_0_15096	25	0	56370018	D0701_0_16411	10	0	56370282	L0101_0_17311	22	0
56174919	C0101_0_15905	43	0	56370037	D0201_1_16174	31	0		M0101_0_17861	32	0
56174920	C0101_0_15905	44	0	56370038	D1401_0_16634	4	0	56370287	L0101_0_17311	24	0
56174976	A0402_0_15005	8	0	56370076	D1001_0_16509	10	0		M0101_0_17861	34	0
56174987	F0201_0_17025	4	0	56370079	D1001_0_16509	7	0	56370288	L0101_0_17311	17	0
	F0202_0_17043	4	0	56370081	C0101_0_15905	4	0		M0101_0_17861	18	0
56174988	F0201_0_17025	5	0		D1001_0_16509	15	0	56370486	C0101_0_15905	32	0
	F0202_0_17043	5	0		L0202_1_17488	42	0	56370539	W0101_0_18360	15	0
56174994	A0301_0_14926	8	0		M0202_0_17999	61	0		W0102_0_18387	10	0
56174995	A0301_0_14926	26	0	56370089	D0101_0_16072	16	0		W0302_0_18466	13	0
56175158	B0102_0_15096	21	0		D0601_0_16375	27	0	56370582	D1101_0_16526	12	0
56175177	B0301_0_15169	12	0		D0901_0_16469	14	0	56370583	D1101_0_16526	11	0
	B0501_0_15441	12	0	56370127	D0101_0_16072	16	0	56370696	T0301_0_18310	4	0
56175189	A0101_1_14653	5	0		D0601_0_16375	27	0	56370761	D0601_0_16375	22	0
	A0102_1_14720	5	0		D0901_0_16469	14	0	56370830	D0601_0_16375	27	0
	A0103_1_14789	5	0	56370128	D0101_0_16072	16	0		D0901_0_16469	14	0
56175194	A0301_0_14926	2	0		D0601_0_16375	27	0	56371037	D0101_0_16072	20	0
56175206	B1201_0_15868	15	0		D0901_0_16469	14	0		D0901_0_16469	9	0
56175227	M0201_0_17929	22	0	56370154	D0701_0_16411	25	0	56371065	D0701_0_16411	21	0
	M0202_0_17999	22	0	56370165	D0701_0_16411	23	0	56371101	T0102_0_18177	4.4	0
56175241	A0202_0_14843	21	0	56370172	D0701_0_16411	19	0		T0102_0_18177	5.4	0
56175243	B0101_0_15056	31	0	56370177	D0701_0_16411	22	0		T0102_0_18177	12.8	0

SPARE PARTS INSTANCE INDEX

Code	Parts Table	Pos.	Q.ty	Code	Parts Table	Pos.	Q.ty	Code	Parts Table	Pos.	Q.ty
56371162	D0201_1_16174	16	0	56471036	D0101_0_16072	19	0	57372341	A0401_0_14980	13	0
56371721	D1502_0_16688	18	0		D0901_0_16469	10	0	57374490	B1001_0_15773	4	0
56372282	D1201_0_16542	38	0	56473818	D0401_0_16337	6	0	57374491	B1001_0_15773	5	0
56372536	D0101_0_16072	4	0	56473880	D1201_0_16542	21	0	57374501	B1001_0_15773	29	0
56373194	D0301_0_16283	33	0	56473890	D1201_0_16542	47	0	57374533	B0402_0_15303	27	0
56373213	D0701_0_16411	24	0	56474013	C0201_0_15984	7	0	57374536	B0402_0_15303	28	0
56373426	M0101_0_17861	42	0	56474713	D1201_0_16542	47	0	57374545	B1001_0_15773	24	0
56373427	M0101_0_17861	42	0	56474714	D1201_0_16542	47	0	57374553	B0801_2_69139	21	1
56373428	M0101_0_17861	42	0	56475398	D1201_0_16542	47	0	57374554	B0201_0_15127	17/1	0
56373436	M0101_0_17861	53	0	56475416	D1201_0_16542	47	0	57374583	B0301_0_15169	3	0
56373800	C0301_0_16044	12	0	56475417	D1201_0_16542	47	0	57374584	B0501_0_15441	3	0
56373840	D0601_0_16375	1	0	56475516	D1201_0_16542	45	0	57374585	B0301_0_15169	4	0
56374076	D1301_0_16613	15	0	56475517	D1201_0_16542	47	0	57374586	B0501_0_15441	4	0
56374430	D1301_0_16613	5	0	56475518	D1201_0_16542	47	0	57374590	B0402_0_15303	4	0
56374460	B1001_0_15773	45	0	56475757	D1201_0_16542	47	0	57374591	B0402_0_15303	3	0
56374574	M0101_0_17861	51	0	56475839	D0801_0_16453	5	0	57374686	B1001_0_15773	3	0
56374711	C0101_0_15905	39	0	56475844	D1201_0_16542	48	0	57374926	B0301_0_15169	15	0
56375008	T0302_0_18319	2	0	56570016	C0201_0_15984	1.3	0		B0501_0_15441	21	0
56375146	M0101_0_17861	25	0		D0701_0_16411	17	0	57374927	B0301_0_15169	16	0
56375147	M0101_0_17861	21	0		L0101_0_17311	5	0		B0501_0_15441	20	0
56375436	B1001_0_15773	35	0		M0101_0_17861	6	0	57374977	B0201_0_15127	17/2	0
56470002	D0201_1_16174	17	0	56570125	D0701_0_16411	38	0	57375192	M0201_0_17929	39	0
56470110	D0401_0_16337	3	0	56570219	D0601_0_16375	4	0		M0202_0_17999	39	0
56470111	D0401_0_16337	14	0	56570284	L0101_0_17311	15	0	57375461	A0301_0_14926	28	0
56470137	D0601_0_16375	10	0		M0101_0_17861	16	0	58025869	M0101_0_17861	42	0
56470138	D0601_0_16375	9	0	56570506	M0101_0_17861	20	0	58048002	A0202_0_14843	25	0
56470139	D0401_0_16337	10	0	56573662	D0201_1_16174	5	0		A0204_0_14897	26	0
56470215	D0101_0_16072	5	0	56574008	T0101_0_18136	1	0		B0101_0_15056	18	0
56470216	D0101_0_16072	27	0		T0102_0_18177	1	0		B0102_0_15096	12	0
56470231	D1401_0_16634	5	0	57174915	A0501_0_15024	1.3	0	58070071	D1001_0_16509	4	0
56470299	D1301_0_16613	1	0	57275032	B0402_0_15303	17	0	58070097	B0301_0_15169	33	0
56470365	D1502_0_16688	22	0	57275033	B0402_0_15303	18	0	58070164	D0701_0_16411	18	0
56470797	D1502_0_16688	14	0	57371049	D0201_1_16174	7	0	58070168	D0701_0_16411	20	0
56470987	D1201_0_16542	26	0	57371900	A0501_0_15024	2	0	58070169	D0701_0_16411	8	0



SPARE PARTS INSTANCE INDEX

Code	Parts Table	Pos.	Q.ty	Code	Parts Table	Pos.	Q.ty	Code	Parts Table	Pos.	Q.ty
58070198	D1101_0_16526	10	0	58071188	T0102_0_18177	4.3	0	58072568	E0302_0_16844	10	0
58070205	D1101_0_16526	15	0	58071189	T0102_0_18177	5.3	0	58072575	B0701_0_15610	25	0
58070262	D0201_1_16174	25	0	58071196	T0102_0_18177	11	0	58072737	B0701_0_15610	28	0
58070268	D0201_1_16174	27	0	58071305	E0302_0_16844	11	0	58073034	T0101_0_18136	10	0
58070315	T0101_0_18136	8	0	58071307	E0101_0_16789	4	0	58073147	L0201_1_17393	6/2	0
58070366	D1401_0_16634	10	0	58071308	E0101_0_16789	5	0		L0202_1_17488	6/2	0
58070390	B1001_0_15773	43	0	58071313	E0201_0_16797	3	0		L0203_0_17535	6/2	0
58070480	T0101_0_18136	8.3	0		E0202_0_16806	3	0		M0201_0_17929	6/2	0
	T0102_0_18177	11.3	0	58071322	T0101_0_18136	4	0		M0202_0_17999	6/2	0
58070481	T0101_0_18136	8.10	0	58071755	T0101_0_18136	9.1	0	58073205	T0101_0_18136	9	0
58070482	T0101_0_18136	9.8	0		T0102_0_18177	12.1	0	58073206	T0101_0_18136	9.7	0
58070484	T0101_0_18136	8.5	0	58071758	T0102_0_18177	12.7	0	58073212	T0101_0_18136	9.4	0
	T0102_0_18177	11.5	0	58071864	T0102_0_18177	4.1	0	58073411	M0101_0_17861	43	0
58070489	A0202_0_14843	10	0		T0102_0_18177	5.1	0	58073643	B0701_0_15610	9	0
58070513	L0201_1_17393	33	0	58071872	T0102_0_18177	4	0	58074092	D1201_0_16542	37	0
	L0202_1_17488	34	0	58071873	T0102_0_18177	5	0	58074220	B0701_0_15610	13	0
	M0201_0_17929	54	0	58072053	T0102_0_18177	12.3	0	58074221	B0701_0_15610	12	0
	M0202_0_17999	54	0	58072054	T0101_0_18136	9.6	0	58074222	B0701_0_15610	14	0
58070519	L0203_0_17535	40	0		T0102_0_18177	12.5	0	58074488	B1001_0_15773	37	0
58070558	T0101_0_18136	8.6	0	58072055	T0102_0_18177	12.6	0	58074558	D0301_0_16283	10	0
	T0102_0_18177	11.6	0	58072056	T0102_0_18177	12	0	58074733	F0302_0_17097	33	0
58070559	T0101_0_18136	8.7	0	58072074	A0204_0_14897	9	0	58074734	F0302_0_17097	32	0
	T0102_0_18177	11.7	0	58072075	A0204_0_14897	10	0	58074736	F0401_0_17228	27	0
58070560	T0101_0_18136	8.9	0	58072081	E0201_0_16797	4	0	58074738	F0302_0_17097	15	0
	T0102_0_18177	11.9	0		E0202_0_16806	4	0	58074739	F0302_0_17097	45	0
58070690	A0501_0_15024	17	0	58072107	D0801_0_16453	3	0	58074740	F0302_0_17097	17	0
58070741	D0701_0_16411	36	0	58072389	D1201_0_16542	36	0	58074777	B0701_0_15610	10	0
	D1301_0_16613	18	0	58072398	D1201_0_16542	43	0	58074786	B0701_0_15610	5	0
58070743	C0201_0_15984	1.4	0	58072399	D1201_0_16542	39	0	58074787	B0701_0_15610	6	0
58070790	D0301_0_16283	20	0	58072492	A0202_0_14843	9	0	58074788	B0701_0_15610	3/3	0
	D0301_0_16283	38	0	58072509	B0701_0_15610	30	0	58074789	B0701_0_15610	3/2	0
	D1502_0_16688	6	0	58072510	B0701_0_15610	33	0	58074790	B0701_0_15610	3/1	0
58070848	T0102_0_18177	13	0	58072511	B0701_0_15610	32	0	58074791	B0701_0_15610	4	0
58070873	A0301_0_14926	24	0	58072517	B0701_0_15610	31	0	58074794	B0701_0_15610	1	0



SPARE PARTS INSTANCE INDEX

Code	Parts Table	Pos.	Q.ty	Code	Parts Table	Pos.	Q.ty	Code	Parts Table	Pos.	Q.ty
58074795	B0701_0_15610	2	0	58075152	B0701_0_15610	21	0	58075607	A0103_1_14789	30	0
58074831	B0102_0_15096	16	0	58075159	M0201_0_17929	27	0	58075776	B0801_2_69139	7/1	1
58074832	A0204_0_14897	8	0		M0202_0_17999	27	0	58075843	T0101_0_18136	9.3	0
58074836	F0302_0_17097	11	0	58075160	M0201_0_17929	50	0	58090333	Y.01.02_0_44665	37	2
58074837	B0701_0_15610	7	0		M0202_0_17999	50	0		Y.01.03_0_44752	38	2
58074839	B0701_0_15610	15	0	58075164	E0201_0_16797	7	0		Y.01.05_0_44835	7	4
58074841	B0701_0_15610	8	0	58075175	B0301_0_15169	11	0	58170013	C0201_0_15984	6	0
58074846	B0701_0_15610	16	0	58075176	B0501_0_15441	11	0	58170021	C0301_0_16044	4	0
58074848	B0701_0_15610	24	0	58075193	A0501_0_15024	19/1	0	58170026	D1502_0_16688	2	0
58074874	A0302_0_14955	21	0	58075226	M0201_0_17929	55	0	58170034	D0201_1_16174	28	0
58074875	B0701_0_15610	26	0		M0202_0_17999	55	0	58170039	D0101_0_16072	24	0
58074880	B0701_0_15610	11	0	58075228	F0202_0_17043	14	0	58170045	D1401_0_16634	1	0
58074891	F0302_0_17097	16	0	58075229	F0202_0_17043	15	0	58170054	D0701_0_16411	7	0
58074895	A0501_0_15024	19/2	0	58075231	B0101_0_15056	22	0	58170069	C0101_0_15905	33	0
58074901	E0302_0_16844	1/1	0	58075245	A0202_0_14843	8	0	58170070	D1001_0_16509	12	0
58074903	E0202_0_16806	7	0	58075246	A0202_0_14843	24	0	58170077	C0101_0_15905	27	0
58074904	E0101_0_16789	1	0	58075247	L0201_1_17393	6/1	0	58170107	D0101_0_16072	26	0
58074906	E0302_0_16844	3	0		L0202_1_17488	6/1	0	58170130	D0401_0_16337	23	0
58074908	E0302_0_16844	4	0		L0203_0_17535	6/1	0		D1201_0_16542	11	0
58075021	B0701_0_15610	23	0		M0201_0_17929	6/1	0	58170181	W0101_0_18360	1.1	0
58075022	B0701_0_15610	17	0		M0202_0_17999	6/1	0		W0101_0_18360	5.1	0
58075024	B0701_0_15610	18	0	58075248	F0302_0_17097	37	0		W0102_0_18387	1.1	0
58075074	L0203_0_17535	35	0	58075250	B0701_0_15610	22	0	58170195	D1101_0_16526	6	0
58075080	L0201_1_17393	34	0	58075384	B0801_2_69139	7/2	1	58170233	A0101_1_14653	13	0
	L0202_1_17488	35	0		E0302_0_16844	1/2	0		A0102_1_14720	13	0
	L0203_0_17535	41	0	58075515	D1201_0_16542	46	0		A0103_1_14789	13	0
58075082	L0201_1_17393	41	0	58075521	B0701_0_15610	19	0	58170238	A0501_0_15024	3	0
	L0203_0_17535	48	0	58075522	B0701_0_15610	20	0	58170245	L0101_0_17311	21	0
	M0201_0_17929	61	0	58075538	F0201_0_17025	14	0		M0101_0_17861	31	0
58075087	L0201_1_17393	35	0	58075539	F0201_0_17025	13	0	58170251	L0203_0_17535	24	0
	L0202_1_17488	36	0	58075603	L0101_0_17311	7	0	58170279	D0401_0_16337	8	0
	L0203_0_17535	42	0		M0101_0_17861	8	0	58170291	L0101_0_17311	16	0
58075135	L0201_1_17393	29	0	58075607	A0101_1_14653	28	0		M0101_0_17861	17	0
	L0202_1_17488	30	0		A0102_1_14720	29	0	58170306	D0201_1_16174	18	0

SPARE PARTS INSTANCE INDEX

Code	Parts Table	Pos.	Q.ty	Code	Parts Table	Pos.	Q.ty	Code	Parts Table	Pos.	Q.ty
58170344	B0801_2_69139	19	1	58171021	T0101_0_18136	4.2	0	58172013	M0202_0_17999	13	0
58170345	B0801_2_69139	20	1		T0102_0_18177	7	0	58172014	I0101_0_17291	5	0
58170352	F0101_0_16889	12	0	58171027	A0401_0_14980	1.4	0		I0101_0_17291	11.2	0
	F0102_0_16922	13	0		A0402_0_15005	1.4	0	58172015	L0201_1_17393	10	0
58170376	B0801_2_69139	15	1	58171028	A0401_0_14980	1.3	0		L0202_1_17488	10	0
58170436	B0201_0_15127	3	0		A0402_0_15005	1.3	0		L0203_0_17535	10	0
58170443	D0201_1_16174	21	0	58171069	A0402_0_15005	6	0	58172016	I0101_0_17291	12	0
58170449	T0101_0_18136	13	0	58171139	D0601_0_16375	7	0	58172017	I0101_0_17291	13	0
	T0102_0_18177	16	0	58171160	F0302_0_17097	1	0		M0201_0_17929	20	0
58170453	B0801_2_69139	7.1	1	58171199	A0101_1_14653	1.1	0		M0202_0_17999	20	0
	E0302_0_16844	1.1	0		A0102_1_14720	1.1	0	58172018	I0101_0_17291	14	0
58170512	L0201_1_17393	30	0		A0103_1_14789	1.1	0		L0201_1_17393	19	0
	L0202_1_17488	31	0	58171200	A0101_1_14653	1.2	0		L0202_1_17488	20	0
	M0201_0_17929	51	0		A0102_1_14720	1.2	0	58172105	D0201_1_16174	30	0
	M0202_0_17999	51	0		A0103_1_14789	1.2	0	58172106	D0201_1_16174	29	0
58170571	E0302_0_16844	4.2	0	58171239	B1201_0_15868	3	0	58172240	I0101_0_17291	6	0
58170572	E0302_0_16844	4.1	0	58171536	L0101_0_17311	21.2	0		I0101_0_17291	11.3	0
58170597	L0203_0_17535	31	0		M0101_0_17861	31.2	0	58172267	B0801_2_69139	7.2	1
58170693	L0203_0_17535	32	0	58171537	L0101_0_17311	21.1	0		E0302_0_16844	1.2	0
58170700	E0202_0_16806	7.1	0		M0101_0_17861	31.1	0	58172304	I0101_0_17291	7	0
58170703	D1401_0_16634	2	0	58171739	F0302_0_17097	36.1	0		L0201_1_17393	11	0
58170938	W0302_0_18466	6	0	58171901	A0501_0_15024	21	0		L0202_1_17488	11	0
58170947	E0302_0_16844	12	0	58171925	I0101_0_17291	10	0		M0201_0_17929	12	0
58170959	B1201_0_15868	1/2	0	58172011	I0101_0_17291	1	0		M0202_0_17999	12	0
58170968	B0301_0_15169	39	0		L0201_1_17393	12	0	58172307	L0203_0_17535	38	0
58170995	B1201_0_15868	1/3	0		L0202_1_17488	12	0	58172359	A0401_0_14980	1	0
58171000	T0102_0_18177	6	0		M0201_0_17929	14	0	58172400	D0201_1_16174	22	0
58171004	T0101_0_18136	10.5	0	58172012	I0101_0_17291	3	0		D1201_0_16542	31	0
	T0102_0_18177	13.6	0		L0202_1_17488	14	0	58172402	D1201_0_16542	32	0
58171005	T0102_0_18177	13.5	0		M0202_0_17999	14	0	58172447	D1201_0_16542	33	0
58171006	T0101_0_18136	10.3	0	58172013	I0101_0_17291	4	0	58172448	D1201_0_16542	34	0
	T0102_0_18177	13.4	0		L0201_1_17393	13	0	58172463	F0401_0_17228	7	0
58171007	T0102_0_18177	13.1	0		L0202_1_17488	13	0	58172489	I0101_0_17291	8	0
58171019	D1401_0_16634	3	0		M0201_0_17929	13	0		L0201_1_17393	17	0

SPARE PARTS INSTANCE INDEX

Code	Parts Table	Pos.	Q.ty	Code	Parts Table	Pos.	Q.ty	Code	Parts Table	Pos.	Q.ty
58172489	L0202_1_17488	18	0	58174192	D0701_0_16411	1	0	58175025	A0301_0_14926	1.1	0
58172589	F0401_0_17228	20/2	0	58174356	A0301_0_14926	12	0	58175044	A0402_0_15005	1	0
	M0201_0_17929	25	0	58174417	D0301_0_16283	45	0	58175083	L0201_1_17393	43	0
	M0202_0_17999	25	0	58174547	F0302_0_17097	22	0		L0203_0_17535	50	0
58172707	I0101_0_17291	2	0	58174552	D0101_0_16072	1	0		M0201_0_17929	63	0
58172806	F0101_0_16889	26	0	58174555	B1001_0_15773	9	0	58175085	A0302_0_14955	1.1	0
	F0102_0_16922	25	0	58174581	L0101_0_17311	11	0	58175121	A0101_1_14653	24	0
58173030	D0301_0_16283	5	0		M0101_0_17861	12	0		A0102_1_14720	25	0
58173072	T0102_0_18177	13.2	0	58174604	A0302_0_14955	1/2	0		A0103_1_14789	25	0
58173074	T0101_0_18136	10.1	0	58174605	A0302_0_14955	1/1	0	58175122	F0101_0_16889	7	0
58173075	T0101_0_18136	10.4	0	58174608	A0302_0_14955	5	0		F0102_0_16922	7	0
58173116	B0801_2_69139	19.1	1	58174612	A0102_1_14720	23	0	58175187	M0201_0_17929	45	0
	B0801_2_69139	20.1	1	58174613	A0103_1_14789	23	0		M0202_0_17999	45	0
58173119	B0801_2_69139	19.2	1	58174644	B1001_0_15773	38	0	58175188	M0201_0_17929	44/2	0
	B0801_2_69139	20.2	1	58174710	F0302_0_17097	36	0		M0202_0_17999	44/2	0
58173120	B0801_2_69139	19.3	1	58174716	D0201_1_16174	2	0	58175191	I0101_0_17291	15	0
58173121	B0801_2_69139	20.3	1	58174726	D1502_0_16688	20	0		M0201_0_17929	32	0
58173165	A0401_0_14980	1.5	0	58174732	F0401_0_17228	25	0		M0202_0_17999	32	0
	A0402_0_15005	1.5	0	58174774	F0102_0_16922	1	0	58175196	M0201_0_17929	41	0
58173178	W0302_0_18466	1	0	58174775	F0202_0_17043	1	0		M0202_0_17999	41	0
58173195	D0301_0_16283	19.1	0	58174882	B0101_0_15056	9	0	58175205	W0102_0_18387	7	0
	D0301_0_16283	31.1	0		B0102_0_15096	3	0		W0302_0_18466	9	0
	D0301_0_16283	36.1	0	58174928	B0801_2_69139	14	1	58175209	C0101_0_15905	42	0
58173361	I0101_0_17291	9	0	58174959	A0101_1_14653	2	0	58175211	M0201_0_17929	44/1	0
	M0201_0_17929	18	0		A0102_1_14720	2	0		M0202_0_17999	44/1	0
	M0202_0_17999	18	0	58174974	I0101_0_17291	11	0	58175222	F0201_0_17025	3	0
58173399	F0401_0_17228	10	0		L0203_0_17535	11	0		F0202_0_17043	3	0
58173437	B1202_0_15889	4	0	58174997	A0101_1_14653	22	0	58175393	W0101_0_18360	13.1	0
58173505	F0101_0_16889	11	0	58175006	F0101_0_16889	1	0	58175630	W0101_0_18360	9.1	0
	F0102_0_16922	14	0	58175007	F0201_0_17025	1	0	58175700	E0302_0_16844	2	0
58173506	F0101_0_16889	29	0	58175014	F0101_0_16889	19	0	58175769	B0801_2_69139	12	1
	F0102_0_16922	28	0		F0102_0_16922	18	0	58175770	B0801_2_69139	13	1
58173543	F0101_0_16889	15	0	58175023	A0301_0_14926	1	0	58176229	B0801_2_69139	11	1
58173961	D0301_0_16283	4	0					59070012	C0101_0_15905	14	0

SPARE PARTS INSTANCE INDEX

Code	Parts Table	Pos.	Q.ty	Code	Parts Table	Pos.	Q.ty	Code	Parts Table	Pos.	Q.ty
59070051	D1502_0_16688	35	0	59073184	A0402_0_15005	7	0	59074525	B1001_0_15773	33	0
59070065	D0101_0_16072	23	0	59073189	L0101_0_17311	30	0	59074531	B1001_0_15773	18	0
	D0901_0_16469	12	0	59073242	D1502_0_16688	31	0	59074546	F0302_0_17097	23	0
59070094	D1001_0_16509	13	0	59073674	B0402_0_15303	6	0	59074561	D1502_0_16688	34	0
59070225	C0101_0_15905	31	0	59073681	A0202_0_14843	11/2	0	59074596	B0402_0_15303	2	0
59070289	L0101_0_17311	18	0		A0204_0_14897	11/2	0	59074597	B0402_0_15303	1	0
	M0101_0_17861	28	0	59073685	D0301_0_16283	25	0	59074617	A0501_0_15024	22	0
59070290	L0101_0_17311	19	0	59073725	D0301_0_16283	19	0	59074623	D0301_0_16283	13	0
	M0101_0_17861	29	0	59074077	D1301_0_16613	19	0	59074624	A0102_1_14720	27	0
59070316	T0101_0_18136	5	0	59074185	D0701_0_16411	2/1	0	59074627	A0101_1_14653	26	0
	T0102_0_18177	8	0	59074188	D0701_0_16411	4	0		A0103_1_14789	28	0
59070323	D1502_0_16688	5	0	59074206	D0301_0_16283	31	0	59074630	A0302_0_14955	8	0
59070325	D1502_0_16688	1	0	59074213	A0202_0_14843	15/2	0	59074638	A0401_0_14980	8/2	0
59070333	D1502_0_16688	7	0		A0204_0_14897	15/2	0	59074639	A0501_0_15024	12	0
59070398	D1502_0_16688	3	0	59074296	D0301_0_16283	36	0	59074640	F0401_0_17228	16	0
59070448	T0101_0_18136	14	0		D0301_0_16283	39	0	59074662	B0201_0_15127	20	0
	T0102_0_18177	17	0	59074332	F0302_0_17097	5	0	59074669	B0301_0_15169	1	0
59070591	B0301_0_15169	37	0	59074346	A0202_0_14843	11/1	0	59074670	B0301_0_15169	2	0
59070592	B0501_0_15441	39	0		A0204_0_14897	11/1	0	59074671	B0501_0_15441	1	0
59070702	T0301_0_18310	1	0	59074347	A0202_0_14843	15/1	0	59074672	B0501_0_15441	2	0
59071091	B0501_0_15441	45	0		A0204_0_14897	15/1	0	59074701	D1502_0_16688	38	0
59071157	B0301_0_15169	28	0	59074351	B0402_0_15303	5	0	59074702	D1502_0_16688	39	0
59071158	B0301_0_15169	29	0	59074385	B0501_0_15441	31	0	59074727	A0102_1_14720	15	0
59071171	C0101_0_15905	34	0	59074387	D0701_0_16411	3/1	0		A0103_1_14789	15	0
59071195	B0301_0_15169	36	0	59074391	B0501_0_15441	22	0	59074729	B0301_0_15169	18	0
59071241	B1201_0_15868	12	0	59074403	B1001_0_15773	22	0	59074741	D0301_0_16283	8	0
59071966	B0501_0_15441	46	0	59074436	D0801_0_16453	9	0	59074742	F0401_0_17228	12	0
59072057	L0201_1_17393	18	0	59074438	D0801_0_16453	4	0	59074743	F0401_0_17228	22	0
	L0202_1_17488	19	0	59074443	L0101_0_17311	12	0	59074744	F0401_0_17228	19	0
	L0203_0_17535	15	0		M0101_0_17861	13	0	59074745	F0102_0_16922	4	0
	M0201_0_17929	19	0	59074459	D1502_0_16688	28	0	59074747	F0101_0_16889	30	0
	M0202_0_17999	19	0	59074468	B1001_0_15773	1	0		F0102_0_16922	29	0
59072380	A0501_0_15024	13	0	59074477	B1001_0_15773	21	0	59074748	F0401_0_17228	23	0
59072572	D1301_0_16613	20	0	59074482	F0302_0_17097	25	0	59074749	F0401_0_17228	24	0



SPARE PARTS INSTANCE INDEX

Code	Parts Table	Pos.	Q.ty	Code	Parts Table	Pos.	Q.ty	Code	Parts Table	Pos.	Q.ty
59074750	F0102_0_16922	3	0	59075223	F0101_0_16889	13	0	59275632	W0101_0_18360	9	0
59074752	F0101_0_16889	27	0	59075224	F0302_0_17097	38	0	59276001	C0201_0_15984	1	0
	F0102_0_16922	26	0	59075225	F0302_0_17097	39	0	59374107	D1201_0_16542	29	0
59074754	L0201_1_17393	7	0	59075239	T0401_0_18328	8	0	59374548	D0101_0_16072	13	0
	L0202_1_17488	7	0		T0402_0_18344	8	0	59374549	D0901_0_16469	4	0
	L0203_0_17535	7	0	59075240	A0202_0_14843	18	0	59375009	T0302_0_18319	1	0
59074759	L0201_1_17393	23	0	59075242	B0101_0_15056	30	0	59375435	D1201_0_16542	52	0
	L0202_1_17488	24	0	59075253	M0201_0_17929	37	0	59900006	Y.01.01_0_44578	5	2
59074782	B0402_0_15303	23	0		M0202_0_17999	37	0	59900007	Y.01.01_0_44578	6	1
59074989	F0101_0_16889	3	0	59075283	B0101_0_15056	38	0	59900009	Y.01.01_0_44578	8	1
59074990	F0101_0_16889	4	0		B0102_0_15096	29	0	59900010	Y.01.01_0_44578	9	1
59074993	D1201_0_16542	59	0	59075359	L0201_1_17393	27	0	59900011	Y.01.01_0_44578	10	1
59074996	A0301_0_14926	13	0		L0202_1_17488	28	0	59900012	Y.01.01_0_44578	11	1
59075012	T0302_0_18319	1.1	0	59075389	L0203_0_17535	27	0	59900013	Y.01.01_0_44578	13	1
59075063	F0202_0_17043	11	0	59075390	L0203_0_17535	30	0	59900018	Y.01.06_0_44938	19	2
59075064	L0203_0_17535	26	0	59075438	T0402_0_18344	12	0	59900019	Y.01.06_0_44938	20	2
59075072	A0103_1_14789	27	0	59075541	B0101_0_15056	2	0	59900020	Y.01.06_0_44938	17	4
59075078	B0301_0_15169	19	0	59075542	B0101_0_15056	3	0	59900026	Y.01.01_0_44578	25	2
	B0501_0_15441	24	0	59075601	B0201_0_15127	6/2	0	59900027	Y.01.01_0_44578	26	2
59075079	B0301_0_15169	20	0	59075602	B0201_0_15127	6/1	0	59900028	Y.01.01_0_44578	19	2
	B0501_0_15441	23	0	59075611	T0401_0_18328	12	0	59900029	Y.01.01_0_44578	28	1
59075081	B0501_0_15441	25	0	59075722	A0101_1_14653	25	0	59900030	Y.01.01_0_44578	29	2
59075137	M0101_0_17861	60	0	59075813	C0201_0_15984	8	0	59900034	Y.01.01_0_44578	33	2
59075140	M0101_0_17861	55	0	59075979	M0201_0_17929	28	0	59900035	Y.01.01_0_44578	37	4
59075148	M0101_0_17861	19	0		M0202_0_17999	28	0	59900036	Y.01.06_0_44938	15	2
59075171	M0201_0_17929	49	0	59270302	W0102_0_18387	1	0		Y.01.09_0_45102	13	16
	M0202_0_17999	49	0	59270303	W0101_0_18360	5	0	59900037	Y.01.01_0_44578	41	5
59075178	M0101_0_17861	61	0	59270304	W0101_0_18360	1	0		Y.01.02_0_44665	34	1
59075190	A0401_0_14980	8/1	0	59271011	F0401_0_17228	8	0	59900038	Y.01.07_0_45032	1a	1
59075208	B0101_0_15056	23	0	59271859	D0301_0_16283	2	0	59900039	Y.01.07_0_45032	1b	1
59075216	M0201_0_17929	7	0	59271860	D0301_0_16283	1	0	59900041	Y.01.06_0_44938	52	1
	M0202_0_17999	7	0	59272073	D0801_0_16453	7	0	59900042	Y.01.07_0_45032	4a	1
59075217	M0201_0_17929	24	0	59275396	W0101_0_18360	13	0	59900043	Y.01.07_0_45032	4b	1
	M0202_0_17999	24	0	59275513	D1201_0_16542	44	0	59900046	Y.01.07_0_45032	6	1



SPARE PARTS INSTANCE INDEX

Code	Parts Table	Pos.	Q.ty	Code	Parts Table	Pos.	Q.ty	Code	Parts Table	Pos.	Q.ty
59900047	Y.01.07_0_45032	7	1	59900098	Y.01.02_0_44665	10	1	59900128	Y.01.05_0_44835	33	1
59900048	Y.01.07_0_45032	8	1		Y.01.03_0_44752	9	1	59900129	Y.01.05_0_44835	28	1
59900049	Y.01.07_0_45032	9	4		Y.01.03_0_44752	10	1	59900130	Y.01.05_0_44835	27	1
59900050	Y.01.07_0_45032	10	1	59900102	Y.01.02_0_44665	13	9	59900131	Y.01.05_0_44835	23	1
59900051	Y.01.06_0_44938	44	2		Y.01.03_0_44752	12	8	59900132	Y.01.03_0_44752	1	1
59900052	Y.01.06_0_44938	29	2		Y.01.04_0_45162	4	4	59900134	Y.01.03_0_44752	34	1
59900055	Y.01.06_0_44938	3	1		Y.01.05_0_44835	14	2	59900135	Y.01.03_0_44752	7a	1
59900057	Y.01.06_0_44938	39	1	59900103	Y.01.02_0_44665	39	6	59900136	Y.01.03_0_44752	8	1
59900058	Y.01.06_0_44938	38	1		Y.01.03_0_44752	26	5	59900138	Y.01.02_0_44665	41	1
59900059	Y.01.06_0_44938	4	1		Y.01.04_0_45162	6	2		Y.01.03_0_44752	14	1
59900062	Y.01.06_0_44938	30	1		Y.01.05_0_44835	13	2	59900151	B1201_0_15868	2/1	0
59900068	Y.01.06_0_44938	13	1	59900106	Y.01.02_0_44665	20	4	59900152	B1201_0_15868	14	0
59900070	Y.01.06_0_44938	18	1		Y.01.03_0_44752	21	4	59900153	B1201_0_15868	8	0
59900071	Y.01.06_0_44938	10	8		Y.01.05_0_44835	16	2	59900154	B1201_0_15868	7	0
59900073	Y.01.07_0_45032	15	4	59900107	Y.01.02_0_44665	24	1	59900155	B1201_0_15868	6/1	0
59900074	Y.01.02_0_44665	17	13		Y.01.03_0_44752	15	1	59900156	B1201_0_15868	5	0
	Y.01.03_0_44752	13	9	59900108	Y.01.02_0_44665	25	2	59900157	B1201_0_15868	10	0
	Y.01.04_0_45162	5	4		Y.01.03_0_44752	17	1	59900158	B1201_0_15868	9	0
	Y.01.05_0_44835	12	4	59900109	Y.01.01_0_44578	40	2	59900159	B1201_0_15868	4	0
	Y.01.07_0_45032	13	4		Y.01.02_0_44665	23	4	59900160	B1201_0_15868	11	0
59900075	Y.01.06_0_44938	32	1		Y.01.03_0_44752	25	4	59900161	B1201_0_15868	13	0
	Y.01.07_0_45032	3	4		Y.01.04_0_45162	9	2	59900162	B1201_0_15868	2/3	0
59900082	Y.01.08_0_45202	5	4		Y.01.05_0_44835	11	9	59900182	B1201_0_15868	2/2	0
59900090	Y.01.02_0_44665	1	1	59900117	Y.01.05_0_44835	8	2	59900183	B1202_0_15889	5	0
59900092	Y.01.02_0_44665	29	1		Y.01.07_0_45032	26	4	59900184	B1202_0_15889	6	0
59900093	Y.01.02_0_44665	4	1	59900118	Y.01.05_0_44835	19	1	59900185	B1202_0_15889	7	0
	Y.01.03_0_44752	4	1	59900119	Y.01.02_0_44665	38	4	59900186	B1202_0_15889	8	0
59900094	Y.01.02_0_44665	5	2		Y.01.03_0_44752	29	4	59900187	B1202_0_15889	9	0
	Y.01.03_0_44752	5	1		Y.01.05_0_44835	20	2	59900199	B1202_0_15889	1/2	0
59900095	Y.01.02_0_44665	6	2	59900123	Y.01.05_0_44835	30a	1	59900200	B1202_0_15889	1/1	0
	Y.01.03_0_44752	6	2	59900124	Y.01.05_0_44835	30b	1	59900230	I0101_0_17291	10.1	0
59900096	Y.01.02_0_44665	7a	1	59900125	Y.01.05_0_44835	31a	1		I0101_0_17291	11.1	0
59900097	Y.01.02_0_44665	7b	1	59900126	Y.01.05_0_44835	31b	1	59900242	E0302_0_16844	1.3	0
59900098	Y.01.02_0_44665	9	1	59900127	Y.01.05_0_44835	32	1	59900298	B0201_0_15127	1/1	0



SPARE PARTS INSTANCE INDEX

Code	Parts Table	Pos.	Q.ty	Code	Parts Table	Pos.	Q.ty	Code	Parts Table	Pos.	Q.ty
59900299	B0201_0_15127	1/2	0	59900364	L0203_0_17535	22	0	59900402	Y.01.02_0_44665	12	2
59900300	B0201_0_15127	1/3	0	59900365	L0203_0_17535	34	0		Y.01.03_0_44752	22	2
59900301	B0201_0_15127	1/4	0	59900377	Y.01.05_0_44835	1a	1	59900403	Y.01.02_0_44665	16	1
59900302	B0201_0_15127	1/5	0	59900378	Y.01.01_0_44578	1	1		Y.01.03_0_44752	31	1
59900303	B0201_0_15127	1/6	0	59900379	Y.01.01_0_44578	2	1	59900404	Y.01.02_0_44665	19	2
59900304	B0201_0_15127	1/7	0	59900380	Y.01.01_0_44578	3	1		Y.01.07_0_45032	14	4
59900305	B0201_0_15127	1/8	0	59900381	Y.01.01_0_44578	4	2	59900405	Y.01.02_0_44665	27	2
59900306	B0201_0_15127	1/9	0	59900382	Y.01.01_0_44578	7	2		Y.01.03_0_44752	27	2
59900307	B0201_0_15127	1/10	0		Y.01.08_0_45202	4	1	59900406	Y.01.02_0_44665	28	2
59900308	B0201_0_15127	1/11	0	59900383	Y.01.01_0_44578	12	4		Y.01.03_0_44752	28	2
59900309	B0201_0_15127	1/12	0	59900384	Y.01.01_0_44578	14a	1	59900407	Y.01.02_0_44665	30	1
59900337	A0101_1_14653	1.4	0	59900385	Y.01.01_0_44578	14b	1		Y.01.03_0_44752	20	1
	A0102_1_14720	1.4	0	59900386	Y.01.01_0_44578	15	2		Y.01.03_0_44752	30	1
	A0103_1_14789	1.4	0	59900387	Y.01.01_0_44578	16	1	59900408	Y.01.02_0_44665	31	2
59900339	F0302_0_17097	36.2	0		Y.01.06_0_44938	50	1		Y.01.03_0_44752	32	2
59900344	A0101_1_14653	1.3	0	59900388	Y.01.01_0_44578	17	1	59900409	Y.01.02_0_44665	32	1
	A0102_1_14720	1.3	0	59900389	Y.01.01_0_44578	18	1		Y.01.03_0_44752	33	1
	A0103_1_14789	1.3	0	59900390	Y.01.01_0_44578	20	4	59900410	Y.01.02_0_44665	33	1
59900345	A0101_1_14653	1.5	0	59900391	Y.01.01_0_44578	21	1	59900411	Y.01.02_0_44665	36	1
	A0102_1_14720	1.5	0	59900392	Y.01.01_0_44578	23	2		Y.01.03_0_44752	11	1
	A0103_1_14789	1.5	0	59900393	Y.01.01_0_44578	24	2		Y.01.09_0_45102	21	4
59900347	A0401_0_14980	1.2	0	59900394	Y.01.01_0_44578	27	2	59900412	Y.01.02_0_44665	42	1
	A0402_0_15005	1.2	0	59900395	Y.01.01_0_44578	30	2	59900413	Y.01.03_0_44752	2	1
59900353	A0401_0_14980	1.1	0		Y.01.06_0_44938	55	14	59900414	Y.01.03_0_44752	3	1
	A0402_0_15005	1.1	0	59900396	Y.01.01_0_44578	31	1	59900415	Y.01.03_0_44752	41	1
59900354	B0801_2_69139	2	1		Y.01.07_0_45032	22	11	59900416	Y.01.03_0_44752	42	1
59900357	A0101_1_14653	27	0		Y.01.09_0_45102	24	1	59900417	Y.01.04_0_45162	1a	1
	A0102_1_14720	28	0	59900397	Y.01.01_0_44578	32	2	59900418	Y.01.04_0_45162	1b	1
	A0103_1_14789	29	0	59900398	Y.01.01_0_44578	35	8	59900419	Y.01.04_0_45162	2	1
59900361	W0101_0_18360	1.2	0		Y.01.07_0_45032	18	2	59900420	Y.01.04_0_45162	10a	1
	W0101_0_18360	5.2	0	59900399	Y.01.01_0_44578	36	1	59900421	Y.01.04_0_45162	10b	1
	W0101_0_18360	9.2	0		Y.01.06_0_44938	33	1	59900422	Y.01.05_0_44835	1b	1
	W0102_0_18387	1.2	0	59900400	Y.01.02_0_44665	2	1	59900423	Y.01.05_0_44835	2	1
59900362	W0101_0_18360	13.2	0	59900401	Y.01.02_0_44665	3	1	59900424	Y.01.05_0_44835	3	2

SPARE PARTS INSTANCE INDEX

Code	Parts Table	Pos.	Q.ty	Code	Parts Table	Pos.	Q.ty	Code	Parts Table	Pos.	Q.ty
59900425	Y.01.05_0_44835	4	2	59900456	Y.01.06_0_44938	36	1	59900489	Y.01.08_0_45202	11	4
59900426	Y.01.05_0_44835	5	2	59900457	Y.01.06_0_44938	37a	1	59900490	Y.01.08_0_45202	12	1
59900427	Y.01.05_0_44835	6	2	59900458	Y.01.06_0_44938	37b	1	59900491	Y.01.08_0_45202	13	8
59900428	Y.01.05_0_44835	15	1	59900459	Y.01.06_0_44938	40	1	59900492	Y.01.08_0_45202	14	8
59900429	Y.01.05_0_44835	18	1	59900460	Y.01.06_0_44938	41	2	59900493	Y.01.08_0_45202	16	4
59900430	Y.01.05_0_44835	22a	1	59900461	Y.01.06_0_44938	42	2	59900494	Y.01.08_0_45202	19	8
59900431	Y.01.05_0_44835	22b	1	59900462	Y.01.06_0_44938	43	8	59900495	Y.01.08_0_45202	20	2
59900432	Y.01.05_0_44835	24	2	59900463	Y.01.06_0_44938	45	2	59900496	Y.01.08_0_45202	21	1
	Y.01.07_0_45032	20	2	59900464	Y.01.06_0_44938	46	6	59900497	Y.01.08_0_45202	22	1
	Y.01.09_0_45102	25	1	59900465	Y.01.06_0_44938	48	2	59900498	Y.01.08_0_45202	23	1
59900433	Y.01.05_0_44835	34a	1	59900466	Y.01.06_0_44938	49	1	59900499	Y.01.09_0_45102	1	1
59900434	Y.01.05_0_44835	34b	1		Y.01.07_0_45032	11	1	59900500	Y.01.09_0_45102	2	1
59900435	Y.01.06_0_44938	1	1	59900467	Y.01.06_0_44938	51	2	59900501	Y.01.09_0_45102	3	1
59900436	Y.01.06_0_44938	2	1	59900468	Y.01.06_0_44938	53	2	59900502	Y.01.09_0_45102	4	1
59900437	Y.01.06_0_44938	5	1	59900469	Y.01.06_0_44938	54	1	59900503	Y.01.09_0_45102	5	1
59900438	Y.01.06_0_44938	6	1	59900470	Y.01.06_0_44938	56a	1	59900504	Y.01.09_0_45102	6	1
59900439	Y.01.06_0_44938	7	9	59900471	Y.01.06_0_44938	56b	1	59900505	Y.01.09_0_45102	7	1
59900440	Y.01.06_0_44938	8	1	59900472	Y.01.06_0_44938	57a	1	59900506	Y.01.09_0_45102	8	1
59900441	Y.01.06_0_44938	9	1	59900473	Y.01.06_0_44938	57b	1	59900507	Y.01.09_0_45102	9	1
59900442	Y.01.06_0_44938	11	1	59900474	Y.01.06_0_44938	59	4	59900508	Y.01.09_0_45102	10	1
59900443	Y.01.06_0_44938	12	1	59900475	Y.01.07_0_45032	2	1	59900509	Y.01.09_0_45102	12a	1
59900444	Y.01.06_0_44938	14	1	59900476	Y.01.07_0_45032	5	3	59900510	Y.01.09_0_45102	12b	1
59900445	Y.01.06_0_44938	16	1	59900477	Y.01.07_0_45032	12	1	59900511	Y.01.09_0_45102	14	1
59900446	Y.01.06_0_44938	21	1	59900478	Y.01.07_0_45032	21	1	59900512	Y.01.09_0_45102	15	1
59900447	Y.01.06_0_44938	22	1	59900479	Y.01.07_0_45032	27a	1	59900513	Y.01.09_0_45102	16	1
	Y.01.09_0_45102	11	1	59900480	Y.01.07_0_45032	27b	1	59900514	Y.01.09_0_45102	17	1
59900448	Y.01.06_0_44938	23	1	59900481	Y.01.08_0_45202	1	1	59900515	Y.01.09_0_45102	18	2
59900449	Y.01.06_0_44938	24	1	59900482	Y.01.08_0_45202	2a	1	59900516	Y.01.09_0_45102	19	4
59900450	Y.01.06_0_44938	25	1	59900483	Y.01.08_0_45202	2b	1	59900517	Y.01.09_0_45102	22	1
59900451	Y.01.06_0_44938	26	1	59900484	Y.01.08_0_45202	3a	1	59900518	Y.01.09_0_45102	23	1
59900452	Y.01.06_0_44938	27	1	59900485	Y.01.08_0_45202	3b	1	59900519	Y.01.09_0_45102	26	1
59900453	Y.01.06_0_44938	28	1	59900486	Y.01.08_0_45202	7	4	59900520	Y.01.09_0_45102	27	1
59900454	Y.01.06_0_44938	34	4	59900487	Y.01.08_0_45202	9	4	59900521	Y.01.09_0_45102	28	1
59900455	Y.01.06_0_44938	35	4	59900488	Y.01.08_0_45202	10	4	59900522	Y.01.09_0_45102	29	1

SPARE PARTS INSTANCE INDEX

Code	Parts Table	Pos.	Q.ty	Code	Parts Table	Pos.	Q.ty	Code	Parts Table	Pos.	Q.ty
59900523	Y.01.09_0_45102	30	1	F0801241010	D1502_0_16688	10	0	F0803185000	L0202_1_17488	2	0
59900524	Y.01.09_0_45102	31	1		L0101_0_17311	23	0		L0203_0_17535	2	0
59900525	Y.01.09_0_45102	32	1		M0101_0_17861	33	0		M0201_0_17929	2	0
59900526	Y.01.09_0_45102	33	1	F0801264050	D0201_1_16174	12	0		M0202_0_17999	2	0
59900527	Y.01.09_0_45102	34	1		D0401_0_16337	1	0	F0803186000	D0801_0_16453	6	0
59900528	Y.01.09_0_45102	35a	1	F0801266100	D0201_1_16174	20	0	F0803199010	D1201_0_16542	61	0
59900529	Y.01.09_0_45102	35b	1	F0801297000	L0201_1_17393	38	0	F0803208020	F0101_0_16889	28	0
59900530	Y.01.09_0_45102	36	1		L0202_1_17488	39	0		F0102_0_16922	27	0
59978060	D1201_0_16542	-	0		L0203_0_17535	45	0	F0803209000	C0101_0_15905	12	0
F0110037024	L0203_0_17535	25	0		M0201_0_17929	58	0		D1101_0_16526	4	0
F0150010905	W0101_0_18360	10	0		M0202_0_17999	58	0	F0803209070	C0101_0_15905	13	0
	W0102_0_18387	4	0	F0801297050	D1201_0_16542	17	0	F0808060100	T0301_0_18310	2	0
	W0302_0_18466	10	0	F0801299100	D0601_0_16375	20	0	F0808518050	B0701_0_15610	29	0
F0150036215	B1202_0_15889	2/1	0	F0801331050	L0101_0_17311	20	0	F0810510000	D0301_0_16283	27	0
F0150036216	B1202_0_15889	2/2	0		M0101_0_17861	30	0		D0301_0_16283	50	0
F0150036219	B1202_0_15889	3	0	F0801331150	D0401_0_16337	7	0		D1401_0_16634	6	0
F0150051050	T0401_0_18328	1	0	F0801353000	D0401_0_16337	12	0		D1502_0_16688	15	0
	T0402_0_18344	1	0		D1201_0_16542	10	0	F0810527000	D0301_0_16283	35	0
F0150051145	T0401_0_18328	3	0	F0801380100	D0401_0_16337	16	0		D0301_0_16283	41	0
	T0402_0_18344	3	0	F0801389000	D1201_0_16542	15	0	F0810622010	T0101_0_18136	2	0
F0190018909	E0201_0_16797	2	0	F0801422010	D0101_0_16072	11	0		T0102_0_18177	2	0
	E0202_0_16806	2	0	F0801455100	D0201_1_16174	32	0	F0812523050	D0201_1_16174	1	0
F0190032529	B1201_0_15868	1/1	0	F0802104000	D0901_0_16469	1	0	F0812599086	D1201_0_16542	7	0
F0190035152	E0302_0_16844	17	0	F0802119050	D0101_0_16072	25	0	F0812637000	D1201_0_16542	2	0
F0256808000	A0501_0_15024	27	0	F0802163010	D0201_1_16174	11	0	F0812660020	D0401_0_16337	21	0
	B0402_0_15303	26	0	F0802228005	D1201_0_16542	24	0	F0812689050	D1201_0_16542	14	0
F0256809050	A0302_0_14955	3	0	F0802239045	D0101_0_16072	8	0	F0812692015	D0601_0_16375	15	0
F0801050000	M0101_0_17861	23	0	F0802700150	D1001_0_16509	1	0	F0812708030	D0501_0_16362	2	0
F0801095000	D1502_0_16688	27	0	F0803050000	D0801_0_16453	10	0	F0812736010	D1201_0_16542	28	0
F0801138010	D0201_1_16174	9	0		F0302_0_17097	24	0	F0812747000	C0101_0_15905	28	0
F0801163000	F0302_0_17097	31	0	F0803057000	D0301_0_16283	16	0	F0812783000	D0401_0_16337	19	0
F0801218010	D0101_0_16072	29	0	F0803078100	D0101_0_16072	6	0	F0812811000	D0601_0_16375	19	0
F0801241010	D0501_0_16362	4	0	F0803171100	D0301_0_16283	14	0	F0812859000	D0101_0_16072	10	0
	D1201_0_16542	25	0	F0803185000	L0201_1_17393	2	0	F0812868000	D0401_0_16337	2	0

SPARE PARTS INSTANCE INDEX

Code	Parts Table	Pos.	Q.ty
F0812868060	D0201_1_16174	15	0
F0812878040	D0401_0_16337	4	0
	D1201_0_16542	20	0
F0812899000	D0601_0_16375	2	0
F0812904000	D0601_0_16375	25	0
F0812918010	D0401_0_16337	22	0
	D1201_0_16542	22	0
F0812951070	D0601_0_16375	5	0
F0812951200	D0401_0_16337	15	0
F0812952000	D0401_0_16337	13	0
F0812956000	D0101_0_16072	15	0
	D0901_0_16469	13	0
F0812957000	D0601_0_16375	13	0
F0812957010	D1201_0_16542	12	0
F0812975250	D1001_0_16509	2	0
F0814525000	E0302_0_16844	7	0
F0814529080	E0302_0_16844	14	0
F0814545000	A0301_0_14926	19	0
	A0302_0_14955	16	0
F0814547000	B0301_0_15169	10	0
	B0501_0_15441	10	0
F0814569000	A0202_0_14843	23	0
	B0101_0_15056	29	0
	B0102_0_15096	20	0
	D0301_0_16283	22	0
	D0301_0_16283	44	0
	M0101_0_17861	24	0
F0814573000	B0301_0_15169	24	0
	B0501_0_15441	30	0
F0814574000	A0101_1_14653	16	0
	A0102_1_14720	17	0
	A0103_1_14789	17	0
	A0301_0_14926	17	0
	A0302_0_14955	13	0

Code	Parts Table	Pos.	Q.ty
F0814574000	A0401_0_14980	4	0
	A0401_0_14980	11	0
	A0402_0_15005	4	0
	A0501_0_15024	10	0
	B0201_0_15127	10	0
	B0402_0_15303	14	0
	B1001_0_15773	39	0
	D0101_0_16072	3	0
	D1201_0_16542	56	0
F0814585000	B0201_0_15127	5	0
	B1001_0_15773	8	0
F0814627000	D1502_0_16688	19	0
F0814632000	A0101_1_14653	9	0
	A0102_1_14720	9	0
	A0103_1_14789	9	0
	A0301_0_14926	11	0
	A0302_0_14955	7	0
	C0101_0_15905	10	0
	C0101_0_15905	30	0
F0814689020	D1401_0_16634	11	0
F0814750010	C0301_0_16044	9	0
F0814756000	T0402_0_18344	11	0
F0814797000	C0101_0_15905	31.1	0
	C0101_0_15905	33.1	0
F0814838050	T0101_0_18136	8.11	0
F0814907000	T0101_0_18136	8.8	0
	T0101_0_18136	9.5	0
	T0102_0_18177	11.8	0
	T0102_0_18177	12.4	0
F0817512000	A0301_0_14926	25	0
	A0302_0_14955	22	0
	A0501_0_15024	18	0
F0817519000	L0203_0_17535	39	0
F0817523010	F0101_0_16889	10	0

Code	Parts Table	Pos.	Q.ty
F0817523010	F0102_0_16922	12	0
F0817535000	A0301_0_14926	22	0
	A0302_0_14955	19	0
F0817550000	A0301_0_14926	23	0
	A0302_0_14955	20	0
F0817568000	A0401_0_14980	14	0
	A0401_0_14980	16	0
	A0402_0_15005	9	0
	A0402_0_15005	11	0
F0817568100	A0401_0_14980	6	0
	A0401_0_14980	18	0
	A0402_0_15005	13	0
F0817640003	D0701_0_16411	5	0
F0822537050	D0301_0_16283	32	0
	D0301_0_16283	37	0
	D1502_0_16688	30	0
F0824022000	L0201_1_17393	5	0
	L0202_1_17488	5	0
	L0203_0_17535	5	0
	M0201_0_17929	5	0
	M0202_0_17999	5	0
F0824110000	D0301_0_16283	18	0
	F0102_0_16922	9	0
	F0201_0_17025	17	0
	F0202_0_17043	17	0
	F0401_0_17228	21	0
	L0201_1_17393	25	0
	L0202_1_17488	26	0
	L0203_0_17535	29	0
	M0201_0_17929	11	0
	M0202_0_17999	11	0
F0824113000	F0201_0_17025	12	0
	F0202_0_17043	13	0
	F0302_0_17097	44	0

SPARE PARTS INSTANCE INDEX

Code	Parts Table	Pos.	Q.ty	Code	Parts Table	Pos.	Q.ty	Code	Parts Table	Pos.	Q.ty
F0824113000	L0201_1_17393	32	0	F0825480100	E0201_0_16797	1	0	F0835024010	L0203_0_17535	33	0
	L0202_1_17488	33	0		E0202_0_16806	1	0		M0201_0_17929	26	0
	L0203_0_17535	37	0	F0825488000	E0302_0_16844	9	0		M0202_0_17999	26	0
	M0201_0_17929	53	0	F0825493000	E0302_0_16844	18	0	F0835031010	F0302_0_17097	19	0
	M0202_0_17999	53	0	F0825500220	B0801_2_69139	8.1	1	F0835037000	L0201_1_17393	36	0
F0824141000	F0302_0_17097	14	0	F0825718020	F0101_0_16889	19.1	0		L0202_1_17488	37	0
	L0201_1_17393	37	0		F0102_0_16922	18.1	0		L0203_0_17535	43	0
	L0202_1_17488	38	0	F0825809000	L0201_1_17393	1	0		M0201_0_17929	56	0
	L0203_0_17535	44	0		L0202_1_17488	1	0		M0202_0_17999	56	0
	M0201_0_17929	31	0		L0203_0_17535	1	0	F0835040030	F0302_0_17097	18	0
	M0201_0_17929	57	0		M0201_0_17929	1	0	F0835523000	D0301_0_16283	29	0
	M0202_0_17999	31	0		M0202_0_17999	1	0	F0837521000	B1001_0_15773	42	0
	M0202_0_17999	57	0	F0825980030	L0201_1_17393	39	0	F0837534010	L0201_1_17393	16	0
F0824185000	F0101_0_16889	17	0		L0202_1_17488	40	0		L0202_1_17488	17	0
	F0102_0_16922	16	0		L0203_0_17535	46	0		L0203_0_17535	14	0
F0825115010	B0801_2_69139	10	1		M0201_0_17929	59	0		M0201_0_17929	17	0
F0825117000	E0302_0_16844	8	0		M0202_0_17999	59	0		M0202_0_17999	17	0
F0825139000	E0302_0_16844	1.4	0	F0826038000	C0101_0_15905	23	0	F0837534060	D1301_0_16613	12	0
F0825400060	B0801_2_69139	9	1	F0826039000	D0301_0_16283	34	0	F0838154010	D1201_0_16542	54	0
F0825403050	B0801_2_69139	18	1		D0301_0_16283	40	0	F0838475000	C0101_0_15905	9	0
F0825404050	E0101_0_16789	2	0	F0826056000	L0101_0_17311	6	0	F0840563000	F0101_0_16889	18	0
F0825414000	A0501_0_15024	24	0		M0101_0_17861	7	0		F0102_0_16922	17	0
	E0302_0_16844	15	0		T0302_0_18319	1.2	0	F0840564050	F0201_0_17025	15	0
F0825417000	E0201_0_16797	8	0	F0828029070	A0202_0_14843	1	0	F0842512000	F0302_0_17097	12	0
	E0202_0_16806	8	0		A0204_0_14897	1	0	F0843102000	D0801_0_16453	11	0
F0825420500	E0101_0_16789	6	0	F0831047000	D1301_0_16613	9	0		F0401_0_17228	17	0
F0825420560	E0101_0_16789	6.1	0	F0831065000	B0101_0_15056	19	0	F0843109020	D0301_0_16283	17	0
F0825420600	E0302_0_16844	13	0		B0102_0_15096	13	0		F0201_0_17025	16	0
F0825420660	E0302_0_16844	13.1	0		F0302_0_17097	29	0		F0401_0_17228	20/1	0
F0825436000	B0801_2_69139	7.3	1	F0831125000	A0202_0_14843	14	0		L0201_1_17393	24	0
	E0302_0_16844	1.5	0		A0204_0_14897	14	0		L0202_1_17488	25	0
F0825436003	B0801_2_69139	7.4	1	F0835024010	F0202_0_17043	16	0		L0203_0_17535	28	0
	E0302_0_16844	1.6	0		L0201_1_17393	26	0		M0201_0_17929	10	0
F0825438000	E0302_0_16844	5	0		L0202_1_17488	27	0		M0202_0_17999	10	0

SPARE PARTS INSTANCE INDEX

Code	Parts Table	Pos.	Q.ty	Code	Parts Table	Pos.	Q.ty	Code	Parts Table	Pos.	Q.ty
F0843110010	F0201_0_17025	11	0	F0843581010	D0301_0_16283	7	0	F0843643060	T0102_0_18177	15	0
	F0302_0_17097	43	0	F0843641000	D0301_0_16283	11	0	F0843696000	B1202_0_15889	12	0
	L0201_1_17393	31	0		D1201_0_16542	58	0	F0843711000	D1502_0_16688	37	0
	L0202_1_17488	32	0	F0843643060	A0101_1_14653	4	0	F0843755000	A0101_1_14653	8	0
	L0203_0_17535	36	0		A0102_1_14720	4	0		A0102_1_14720	8	0
	M0201_0_17929	52	0		A0103_1_14789	4	0		A0103_1_14789	8	0
	M0202_0_17999	52	0		A0202_0_14843	5	0		A0202_0_14843	20	0
F0843116000	F0302_0_17097	13	0		A0204_0_14897	5	0		A0301_0_14926	10	0
	L0201_1_17393	42	0		A0301_0_14926	16	0		A0302_0_14955	6	0
	L0203_0_17535	49	0		A0302_0_14955	12	0		A0501_0_15024	15	0
	M0201_0_17929	30	0		A0501_0_15024	11	0		B0101_0_15056	8	0
	M0201_0_17929	62	0		B0101_0_15056	28	0		B0402_0_15303	8	0
	M0202_0_17999	30	0		B0102_0_15096	19	0		B0501_0_15441	33	0
F0843561000	A0204_0_14897	24	0		B0201_0_15127	9	0		C0101_0_15905	11	0
F0843570000	A0101_1_14653	11	0		B0301_0_15169	23	0		E0201_0_16797	6	0
	A0102_1_14720	11	0		B0402_0_15303	25	0		E0202_0_16806	6	0
	A0103_1_14789	11	0		B0501_0_15441	29	0		F0101_0_16889	25	0
	A0301_0_14926	6	0		B1001_0_15773	15	0		F0102_0_16922	24	0
	A0302_0_14955	15	0		C0101_0_15905	36	0		F0201_0_17025	10	0
	A0401_0_14980	10	0		C0201_0_15984	11	0		F0202_0_17043	10	0
	B0101_0_15056	25	0		D1502_0_16688	25	0		F0302_0_17097	4	0
	B0101_0_15056	33	0		F0101_0_16889	23	0		M0101_0_17861	48	0
	B0102_0_15096	24	0		F0102_0_16922	22	0		T0101_0_18136	7	0
	B0201_0_15127	15	0		F0302_0_17097	27	0		T0102_0_18177	10	0
	B0402_0_15303	20	0		F0401_0_17228	3	0		T0401_0_18328	15	0
	B0501_0_15441	18	0		L0101_0_17311	10	0		T0402_0_18344	15	0
	C0101_0_15905	47	0		L0101_0_17311	26	0	F0843771000	D0701_0_16411	15	0
	F0201_0_17025	7	0		L0201_1_17393	9	0		D0801_0_16453	12	0
	F0202_0_17043	7	0		L0202_1_17488	9	0		F0401_0_17228	18	0
	F0302_0_17097	8	0		L0203_0_17535	9	0	F0843818000	B0402_0_15303	10	0
	F0302_0_17097	41	0		M0101_0_17861	11	0		B0501_0_15441	34	0
	F0401_0_17228	6	0		M0201_0_17929	9	0	F0843841000	D0301_0_16283	3	0
	M0101_0_17861	57	0		M0202_0_17999	9	0		F0401_0_17228	11	0
	M0101_0_17861	63	0		T0101_0_18136	12	0	F0843843060	B0301_0_15169	31	0

SPARE PARTS INSTANCE INDEX

Code	Parts Table	Pos.	Q.ty	Code	Parts Table	Pos.	Q.ty	Code	Parts Table	Pos.	Q.ty
F0843843060	B0501_0_15441	50	0	F0847462000	D1301_0_16613	8	0	F0851486000	T0101_0_18136	9.2	0
F0843878000	B0501_0_15441	47	0	F0848655000	W0302_0_18466	8	0		T0102_0_18177	4.5	0
F0843907000	D0301_0_16283	9	0	F0848655100	W0101_0_18360	14	0		T0102_0_18177	5.5	0
	F0101_0_16889	9	0	F0848664000	W0101_0_18360	4	0		T0102_0_18177	12.2	0
	F0102_0_16922	11	0	F0848672100	W0302_0_18466	5	0		T0301_0_18310	5	0
	F0302_0_17097	20	0	F0848679500	W0101_0_18360	8	0		T0302_0_18319	3	0
	F0401_0_17228	14	0	F0848679600	W0101_0_18360	11	0		T0401_0_18328	7	0
F0843921030	B0101_0_15056	6	0	F0848680000	W0101_0_18360	6	0		T0402_0_18344	7	0
	B0101_0_15056	36	0	F0848681600	W0102_0_18387	8	0	F0851497000	B0101_0_15056	39	0
	B0102_0_15096	27	0		W0302_0_18466	11	0		B0102_0_15096	30	0
	T0401_0_18328	11	0	F0848681605	W0102_0_18387	9	0		T0301_0_18310	3	0
	T0402_0_18344	10	0		W0302_0_18466	12	0	F0852107050	T0101_0_18136	4.1	0
F0843948000	F0302_0_17097	35	0	F0848683000	W0102_0_18387	6	0		T0102_0_18177	4.2	0
	F0401_0_17228	9	0	F0848683500	W0102_0_18387	5	0		T0102_0_18177	5.2	0
F0843957000	D0801_0_16453	2	0	F0848844000	W0302_0_18466	4	0	F0852538050	F0102_0_16922	10	0
F0843993060	W0101_0_18360	18	0	F0848855000	W0302_0_18466	7	0	F0852540050	C0201_0_15984	2	0
	W0102_0_18387	13	0	F0848940000	W0101_0_18360	7	0	F0852550010	L0201_1_17393	40/1	0
	W0302_0_18466	16	0	F0849206005	A0301_0_14926	18	0		L0202_1_17488	41/1	0
F0844030070	A0101_1_14653	14	0		A0302_0_14955	14	0		M0201_0_17929	60/1	0
	A0102_1_14720	14	0	F0849500001	A0501_0_15024	1.1	0		M0202_0_17999	60/1	0
	A0103_1_14789	14	0	F0849500002	A0501_0_15024	1.2	0	F0852550020	L0201_1_17393	40/2	0
F0844150000	W0101_0_18360	3	0	F0850100000	D0501_0_16362	1	0		L0202_1_17488	41/2	0
	W0102_0_18387	3	0	F0850100010	D0501_0_16362	1	0		L0203_0_17535	47/1	0
	W0302_0_18466	3	0	F0850100020	D0501_0_16362	1	0		M0201_0_17929	60/2	0
F0844273090	C0101_0_15905	5	0	F0851044000	D0101_0_16072	30	0		M0202_0_17999	60/2	0
	C0301_0_16044	5	0	F0851156000	D0701_0_16411	33	0	F0852550030	L0201_1_17393	40/3	0
	D1001_0_16509	16	0	F0851226000	D1201_0_16542	53	0		L0202_1_17488	41/3	0
	L0201_1_17393	44	0	F0851260000	D1101_0_16526	14	0		L0203_0_17535	47/2	0
	L0202_1_17488	43	0	F0851262000	D0701_0_16411	34	0		M0201_0_17929	60/3	0
	L0203_0_17535	51	0		D1502_0_16688	4	0		M0202_0_17999	60/3	0
	M0201_0_17929	64	0	F0851267050	D0701_0_16411	35	0	F0852550040	L0201_1_17393	40/4	0
	M0202_0_17999	62	0		D1101_0_16526	9	0		L0203_0_17535	47/3	0
F0847434000	D0701_0_16411	37	0	F0851486000	L0101_0_17311	31	0		M0201_0_17929	60/4	0
	D1301_0_16613	17	0		M0101_0_17861	54	0	F0854067050	B0701_0_15610	27	0

SPARE PARTS INSTANCE INDEX

Code	Parts Table	Pos.	Q.ty	Code	Parts Table	Pos.	Q.ty	Code	Parts Table	Pos.	Q.ty
F0858021000	A0202_0_14843	16	0	F0862479030	B0301_0_15169	21	0	F0863997010	C0201_0_15984	4/2	0
	A0204_0_14897	19	0		B0501_0_15441	26	0	F0864180000	T0301_0_18310	8	0
	B0101_0_15056	20	0	F0862479032	B0501_0_15441	27	0		T0302_0_18319	6	0
	B0102_0_15096	14	0	F0862479034	B0402_0_15303	30	0	F0864203050	B0101_0_15056	5	0
F0858520000	A0202_0_14843	7	0	F0862479035	B0402_0_15303	19	0	F0864222010	C0101_0_15905	17	0
	A0204_0_14897	7	0		B0402_0_15303	29	0	F0864245000	T0401_0_18328	9	0
F0860060010	D0301_0_16283	42	0	F0862479040	B0301_0_15169	8	0		T0402_0_18344	9	0
F0860060020	D0301_0_16283	43	0		B0501_0_15441	8	0	F0864309100	B0301_0_15169	34	0
F0860091020	D1502_0_16688	32	0	F0862481000	M0201_0_17929	35	0	F0864314000	W0101_0_18360	17	0
F0861867001	B0801_2_69139	22	1		M0202_0_17999	35	0		W0102_0_18387	12	0
F0861867050	A0501_0_15024	4	0	F0862495010	B1202_0_15889	11	0		W0302_0_18466	15	0
	E0101_0_16789	3	0	F0862549000	D0801_0_16453	14	0	F0864379010	T0101_0_18136	8.1	0
F0861928050	B1001_0_15773	30	0	F0862593050	D0101_0_16072	2	0		T0102_0_18177	11.1	0
F0861929060	B0301_0_15169	5	0		M0101_0_17861	52	0	F0864410500	W0101_0_18360	2	0
	B0501_0_15441	5	0	F0862655000	D0801_0_16453	13	0		W0102_0_18387	2	0
F0861941000	E0302_0_16844	6	0		D1001_0_16509	14	0		W0302_0_18466	2	0
F0861973000	M0201_0_17929	40	0	F0862694000	D0301_0_16283	21	0	F0865040000	B0801_2_69139	1	1
	M0202_0_17999	40	0	F0862728000	Y.01.05_0_44835	29	1	F0865474000	B0801_2_69139	3	1
F0862129000	F0302_0_17097	47	0	F0862875000	B1001_0_15773	6	0	F0865474005	B0801_2_69139	3.1	1
F0862261010	Y.01.02_0_44665	11	1	F0862944000	D0701_0_16411	13	0	F0907170120	B0701_0_15610	34	0
	Y.01.03_0_44752	18	1	F0863183000	D0701_0_16411	39	0	P000000005545	Y.01.01_0_44578	34	2
F0862345000	D0301_0_16283	6	0	F0863208050	M0101_0_17861	46	0	P000000009122	W0101_0_18360	12	0
	F0401_0_17228	5	0	F0863267050	C0101_0_15905	25	0	P000000260007	A0301_0_14926	3	0
F0862448100	D0301_0_16283	12	0	F0863311250	D0101_0_16072	14	0		A0302_0_14955	2	0
	D1201_0_16542	57	0		D0901_0_16469	5	0		B0201_0_15127	13	0
F0862462010	L0201_1_17393	4	0	F0863358050	C0101_0_15905	22	0	P227332000000	F0302_0_17097	21	0
	L0202_1_17488	4	0	F0863429000	L0101_0_17311	4	0	P236410000000	B0201_0_15127	2	0
	L0203_0_17535	4	0		M0101_0_17861	4	0	P241171000000	L0201_1_17393	28	0
	M0201_0_17929	4	0	F0863586000	B1001_0_15773	28	0		L0202_1_17488	29	0
	M0202_0_17999	4	0	F0863728010	Y.01.08_0_45202	15	4	P988438000001	F0401_0_17228	13	0
F0862464050	A0501_0_15024	23	0	F0863890010	C0301_0_16044	13	0				
F0862478070	D1001_0_16509	8	0	F0863925000	C0201_0_15984	3	0				
F0862479020	B0801_2_69139	16	1		C0201_0_15984	4/1	0				
	B1001_0_15773	20	0	F0863951000	C0201_0_15984	5	0				